



# ROFU<sup>®</sup> HIGH SECURITY ELECTRIC STRIKE MODEL 1430/3430

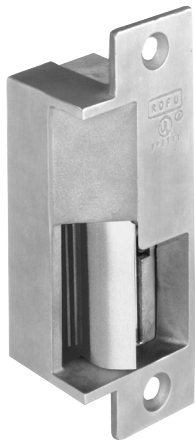
1430 AND 3430 - SERIES, WITH ANSI FACEPLATE 1¼" x 47/8"

**MODEL 1430** — Fail - Secure (Non Fail - Safe)

**MODEL 3430** — Fail - Safe

**Electric strikes for use with Schlage, Sargent and Yale (except 7800) mortise locksets.**  
For Commercial, New or Retrofit Uses

## Standard Features



**1430/3430  
Left Hand  
Shown**

- Stainless Steel ANSI size Faceplate
- Frame Type - Hollow Metal or Aluminum
- Corrosion - Resistant case and moving parts.
- Tamper Strength Test - 1700 lbs (765kg)
- Cycle Test 500,000 cycles
- Keeper Depth - **5/8"** Maximum Latch Projection possible with 1/8" Door/Frame Clearance - **3/4"**
- Strike Depth 1.50" Overall
- **Handed - When ordering indicate RH or LH**
- ANSI/BHMA A 156.5 (1¼" x 47/8") fit cutout Specification A 115.1 (with slight jamb modification)
- Keeper Opening 3/8" below center line
- Limited Warranty - **36 Months**

## Available in the following Voltages and Finishes:

Specify Finish            xUS32D, xUS40 or xUS3 (Plated)

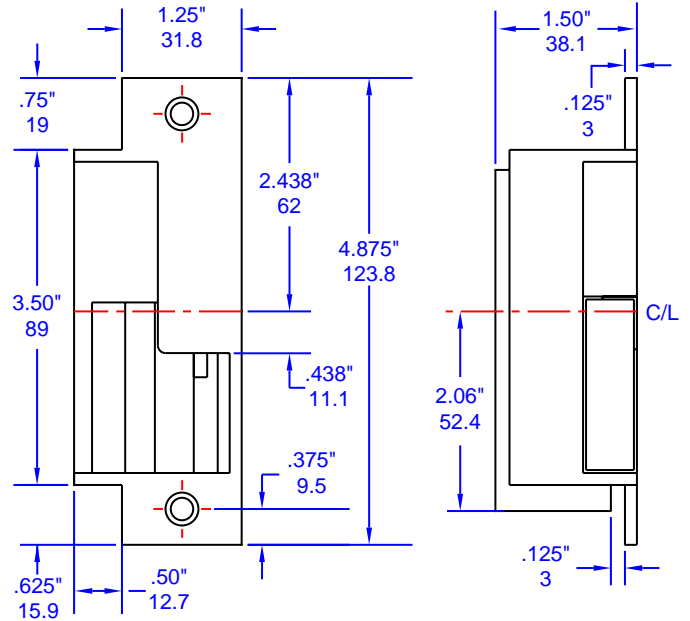
Voltage, Fail Secure    x01=8-16VAC/3-6VDC, x05=12VAC/12VDC, x08=24VAC/24VDC

Voltage, Fail Safe        x06=12VDC, x09=24VDC



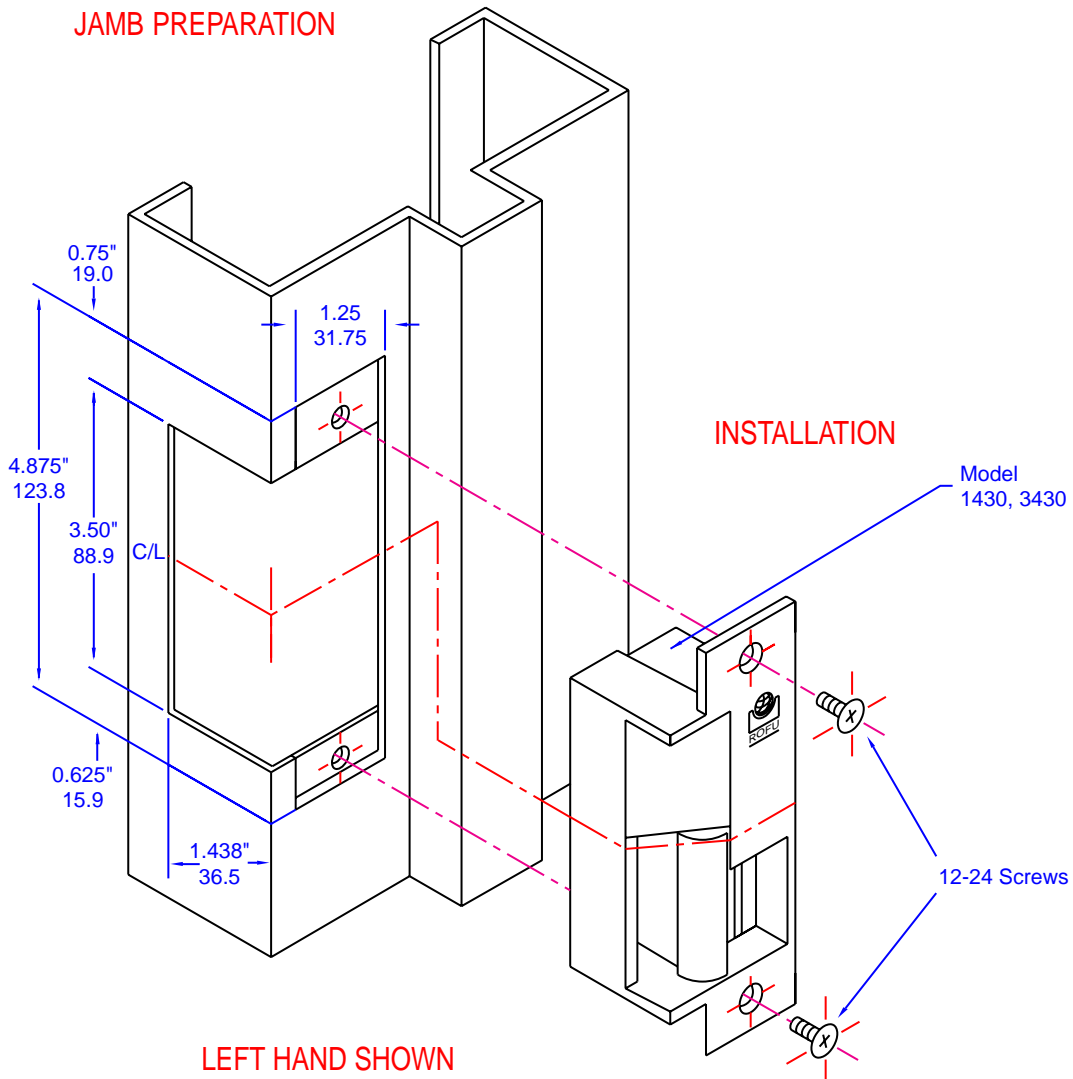


**LINE ART FOR 1430/3430**



LEFT HAND

**HOLLOW METAL  
JAMB PREPARATION**



LEFT HAND SHOWN