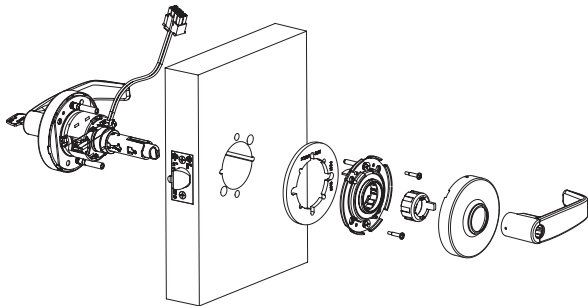


# 10-Line Lock with RX- Switch Installation Instructions

**SARGENT**  
**ASSA ABLOY**

For assistance, contact **SARGENT** at 800-810-WIRE (9473) or [www.sargentlock.com](http://www.sargentlock.com)

1. Install latch assembly; do not tighten at this point.
2. Plug ElectroLynx® connector from the door's raceway to the lockbody's connector, being careful not to pinch or damage wires while installing.
3. Install outside lockbody assembly using the through-bolting posts which are adjustable for various through-bolt locations.
4. Install spacer plate, aligning "Screw Slot" locations with through-bolting posts, between spring cartridge and the door.
5. Complete installation using A7133.
6. Always test completely to verify installation.



Hardwiring Made Easy™



As part of their promise to provide innovative, fast and effective, and higher security solutions to their customers, ASSA ABLOY Group companies offer ElectroLynx, a universal quick-connect system that simplifies the electrification of the door opening.

ElectroLynx® is a registered trademark of ASSA ABLOY, Inc.

ASSA ABLOY, the global leader  
in door opening solutions

Copyright © SARGENT Manufacturing. All rights reserved.  
Reproduction in whole or in part without the express written  
permission of SARGENT Manufacturing is prohibited.

**A7886A**