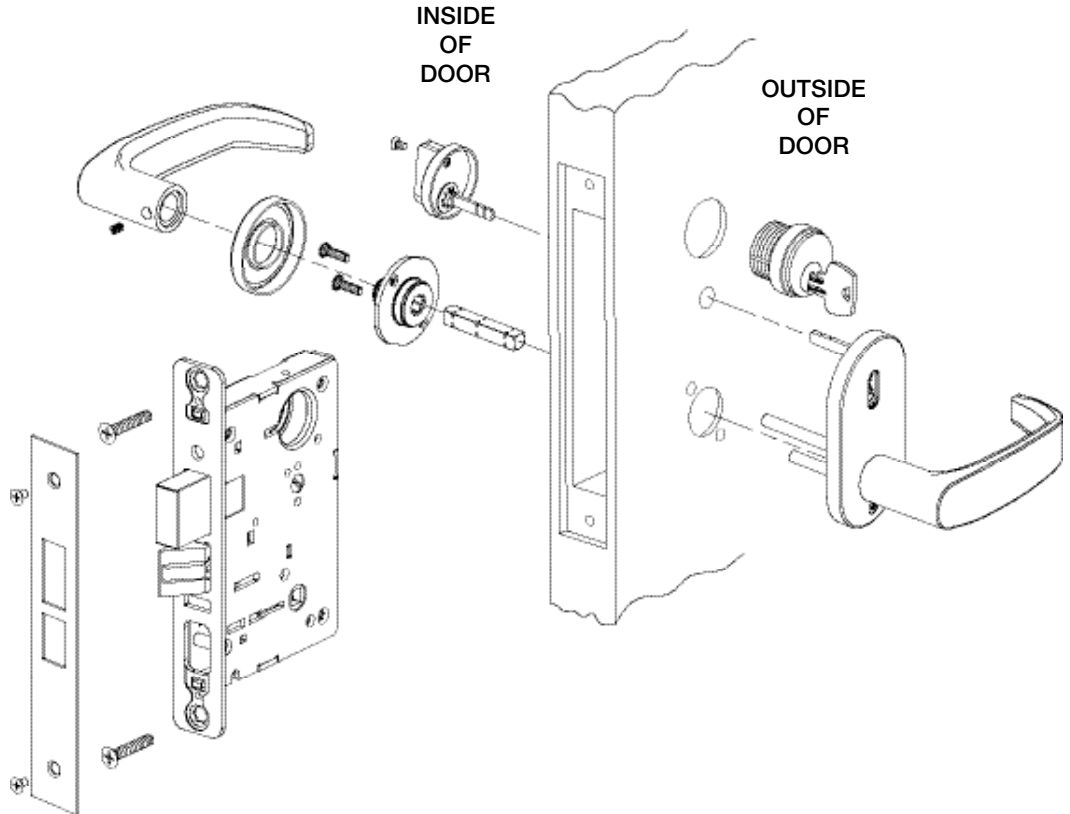
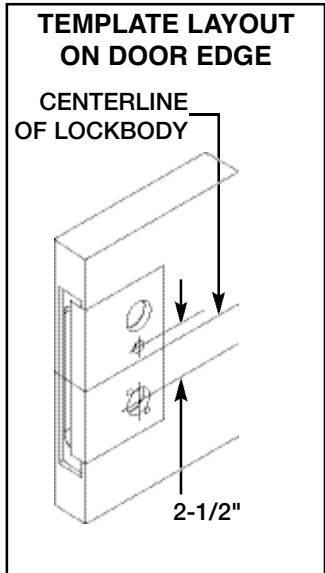
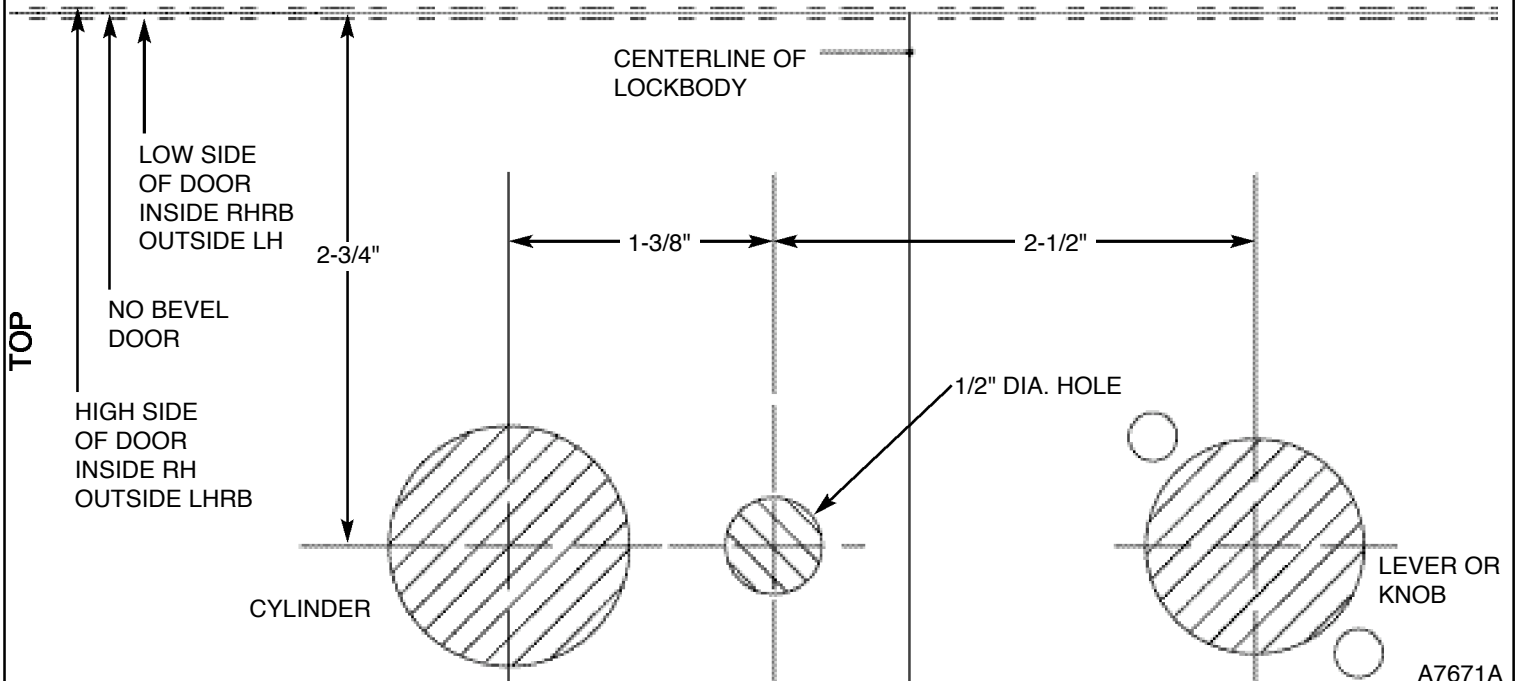


INSTALLATION INSTRUCTIONS FOR 7800/8200 MORTISE LOCK 50- PREFIX/185S KIT SECURED INDICATOR ROSE

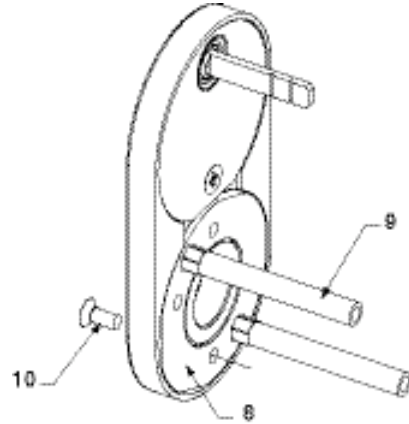
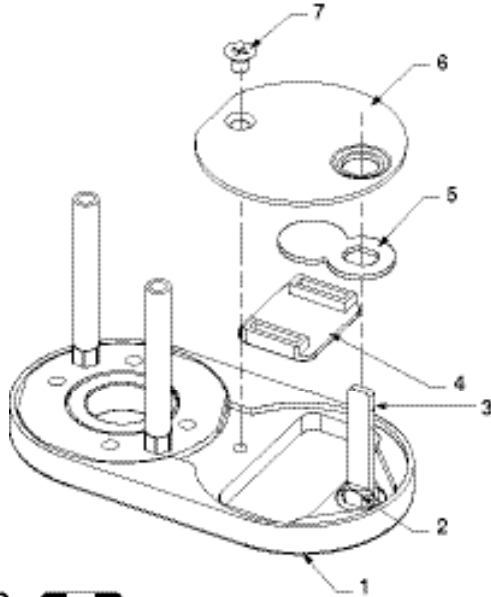


PATENT PENDING

FOLD HERE ACCORDING TO DOOR HAND AND BEVEL



INSTALLATION INSTRUCTIONS FOR 7800/8200 MORTISE LOCK 50- PREFIX/185S KIT SECURED INDICATOR ROSE



82-4051 82-4050

INSTRUCTIONS FOR CHANGING INDICATOR SLIDES

1. REMOVE PHILIPS SCREW.
2. REMOVE BACK PLATE, HUB PLATE AND SLIDE.
3. REPLACE WITH ALTERNATE SLIDE.
NOTE: CHECK FOR PROPER ORIENTATION OF VAC/OCC SLIDE TEXT.
4. REASSEMBLE HUB PLATE AND BACK PLATE, SECURE WITH PHILIPS SCREW.

Item	Description	Qty.	Part Number
1	Indicator Housing	1	82-0604
2	Spindle Hub	1	82-0605
3	Spindle	1	77-1195
4	Red/White Slide	1	82-4050
	VAC/OCC Slide	1	82-4051
5	Hub Plate	1	82-0590
6	Back Plate	1	82-0606
7	#6-32 x 3/16" MS	1	01-4553
8	Mounting Adapter	1	91-2151
9	Mounting Post, 185S-1, 1-3/8" Door	2	81-0017
	Mounting Post, 185S-2, 1-3/4" Door	2	81-0723
	Mounting Post, 185S-3, 2" Door	2	92-0069
	Mounting Post, 185S-4, 2-1/4" Door	2	82-0539
10	TORX Screw	1	01-1421

FOLD HERE ACCORDING TO DOOR HAND AND BEVEL

