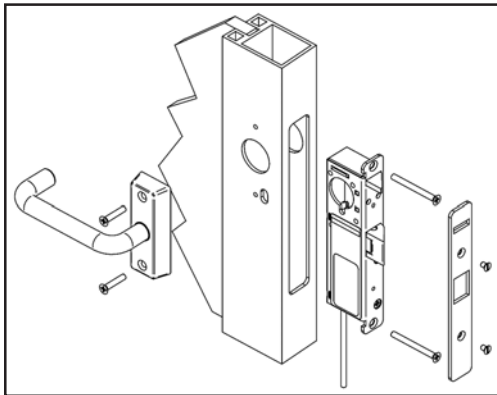


# Mortise Glass Lock (MGL)



**Application - Designed for use on narrow stile metal or aluminum frame glass doors. Typical applications include interior and exterior doors in commercial locations and are well suited for use in automatic door applications.**

## Features and Benefits

- Provides electric locking for narrow stile aluminum frame glass doors
- Continuous or intermittent duty
- Installs in Adams Rite MS Deadbolt prep
- Fail secure lock with decorative handle for free exit
- Form "C" latch status monitor
- 18" [468mm] armored door cord included
- Request To Exit (REX) contacts (SPDT) in handle for reporting to access system
- Satin Aluminum Faceplate

## Specification Data

### Voltage:

12VDC ±10% 24VDC ±10%

### Current Draw and Voltage:

0.4A @ 12VDC, 0.2A @ 24VDC

**Operating Temperature:** -31 to +151F [-35 to +66C]

### Bolt Throw:

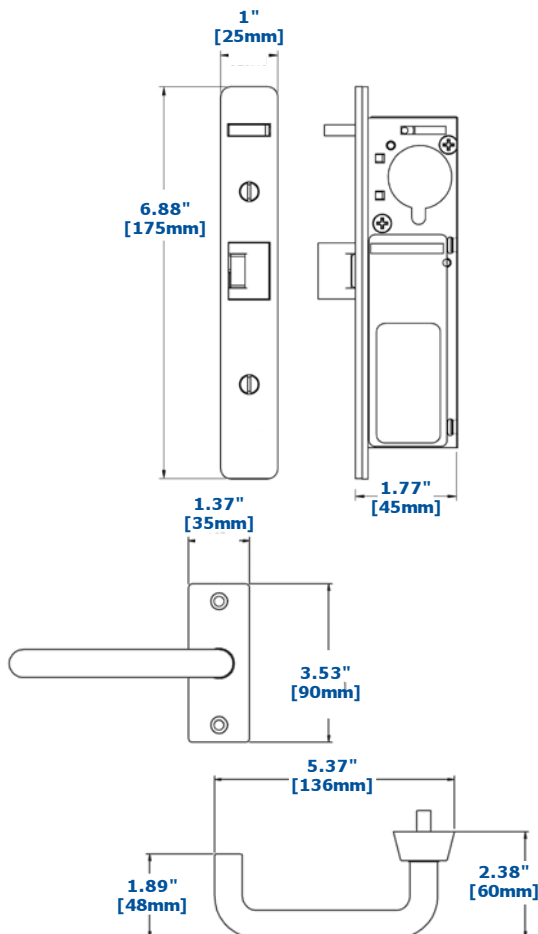
5/8" [16mm]

### Lock Backset:

1 1/8" [28.6mm] or 31/32" [24.6mm]

Accepts 1" ANSI Mortise Cylinder (not included)

**Warranty:** MagnaCare Lifetime Replacement Warranty



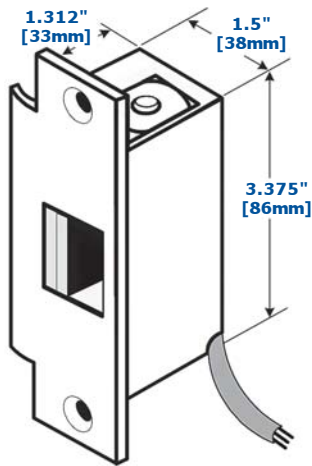
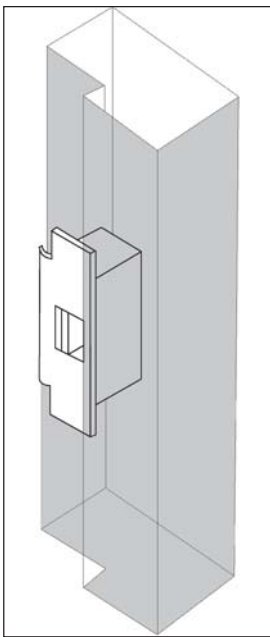
## How To Order

Part #	Description *
<b>MGL12LHR-1C</b>	MGL 12VDC Left Hand Reverse/Right Hand, 1-1/8"
<b>MGL12LHR-2C</b>	MGL 12VDC Left Hand Reverse/Right Hand, 31/32"
<b>MGL12RHR-1C</b>	MGL 12VDC Right Hand Reverse/Left Hand, 1-1/8"
<b>MGL12RHR-2C</b>	MGL 12VDC Right Hand Reverse/Left Hand, 31/32"
<b>MGL24LHR-1C</b>	MGL 24VDC Left Hand Reverse/Right Hand, 1-1/8"
<b>MGL24LHR-2C</b>	MGL 24VDC Left Hand Reverse/Right Hand, 31/32"
<b>MGL24RHR-1C</b>	MGL 24VDC Right Hand Reverse/Left Hand, 1-1/8"
<b>MGL24RHR-2C</b>	MGL 24VDC Right Hand Reverse/Left Hand, 31/32"

\* MGL handles are field reversible



## UnLatch® Strike (UNL)



**FSUNL Option:** FSUNL allows the UNL and MUNL to become selectable for either "fail-safe" or "fail-secure" operation

**Application - UnLatch** is for any application where an electric strike would be used for a cylindrical/tubular lockset. UnLatch supports full dead latch function, releases under pressure and includes a latch status monitoring output.

### Features and Benefits

- **Now available in Polished Brass! (US3)**
- Fits standard ANSI 4-7/8" strike cutout
- No cutting on the jamb required
- Motorized, no solenoids
- Fully concealed installation
- Maintains dead-latch function at all times
- Continuous duty
- Releases under pre-load
- Latch status sensor is standard (SPDT)
- **UL Listed**

### Specification Data

#### Current Draw:

12VDC-40mA continuous, minimum 300mA when operating  
24VDC-40mA continuous, minimum 200mA when operating  
Higher capacity supply (1-3 Amps) is recommended for startup inrush to achieve best operation under pre-load

**Operating Temperature:** -20 to +125F [-29 to +52C]

**Warranty:** MagnaCare Lifetime Replacement Warranty

### How To Order

Part #	Description
<b>UNL-12</b>	UnLatch For Cylindrical Locks, 12VDC
<b>UNL-24</b>	UnLatch For Cylindrical Locks, 24VDC
<b>UNL-12-US3</b>	UnLatch 12VDC, Polished Brass Finish
<b>UNL-24-US3</b>	UnLatch 24VDC, Polished Brass Finish
<b>FSUNL-12</b>	Fail Safe/Fail Secure Unlatch Module, 12VDC
<b>FSUNL-24</b>	Fail Safe/Fail Secure Unlatch Module, 24VDC



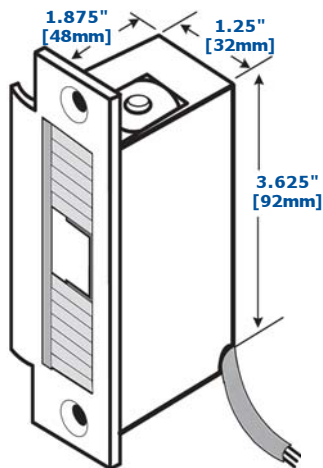
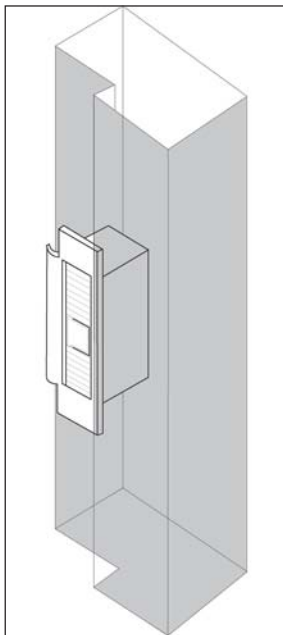
FSUNL

**Note:** UNL requires three wires for operation - continuous positive DC, continuous negative DC, and a trigger input to unlock

**UNL finishes shown on page 83**



# Mortise UnLatch® Strike (MUNL)



**Application - Mortise UnLatch is for any application where an electric strike would be used for a mortise type lock. The Mortise UnLatch includes field adjustability for latch and deadlatch positions, releases under pressure and includes a latch status monitoring output.**

## Features and Benefits

- **Now available in Polished Brass! (US3)**
- Fits standard ANSI 4-7/8" strike cutout
- No cutting on the jamb required
- Motorized, no solenoids
- Fully concealed installation
- Maintains dead-latch function at all times
- Continuous duty
- Releases under pre-load
- Latch status sensor is standard
- One model works with most North American Mortise Locks (Sargent 7800 and 8200 require tab kit model #STK-1 for retrofit installations)
- **UL Listed**

## Specification Data

### Current Draw:

12VDC-40mA continuous, minimum 700mA when operating  
24VDC-40mA continuous, minimum 500mA when operating  
Higher capacity supply (1-4 Amps) is recommended for startup inrush to achieve best operation under pre-load

**Operating Temperature:** -20 to +125F [-29 to +52C]

**Warranty:** MagnaCare Lifetime Replacement Warranty

## How To Order

Part #	Description
<b>MUNL-12</b>	Mortise UnLatch 12VDC
<b>MUNL-24</b>	Mortise UnLatch 24VDC
<b>MUNL-12-US3</b>	Mortise UnLatch 12VDC, Polished Brass
<b>MUNL-24-US3</b>	Mortise UnLatch 24VDC, Polished Brass
<b>STK-1</b>	Retrofit Tab Kit for Sargent 7800 & 8200
<b>FSUNL-12</b>	Fail Safe/Fail Secure Mortise Unlatch Module, 12VDC (See page 30)
<b>FSUNL-24</b>	Fail Safe/Fail Secure Mortise Unlatch Module, 24VDC (See page 30)

**Note:** MUNL requires three wires for operation - continuous positive DC, continuous negative DC, and a trigger input to unlock

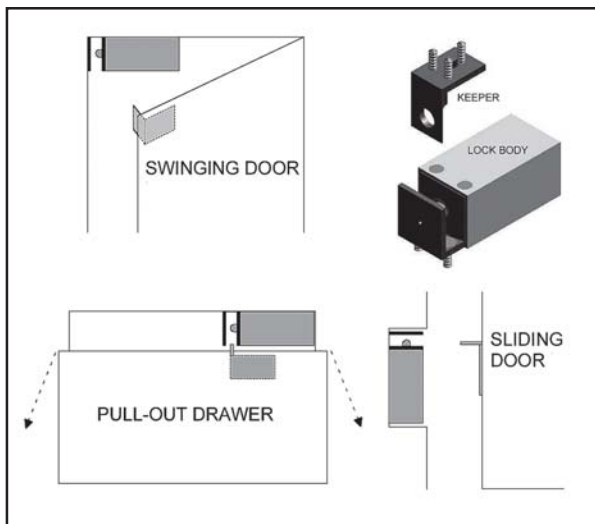
**MUNL finishes shown on page 83**



## Solenoid Cabinet Lock (SCL)



**Application -** The SCL-24 is a fail secure solenoid lock which fits into the most size limited applications. The lock body mounts on the fixed frame and the keeper mounts on the moving door or drawer. The SCL-24 holds 600 lbs. [272 Kg.], providing a strong level of security.



### Features and Benefits

- 600 lbs. [272 kg.] holding force
- Small size is convenient for many applications
- Fail Secure
- For intermittent duty only
- For indoor use only

### Specification Data

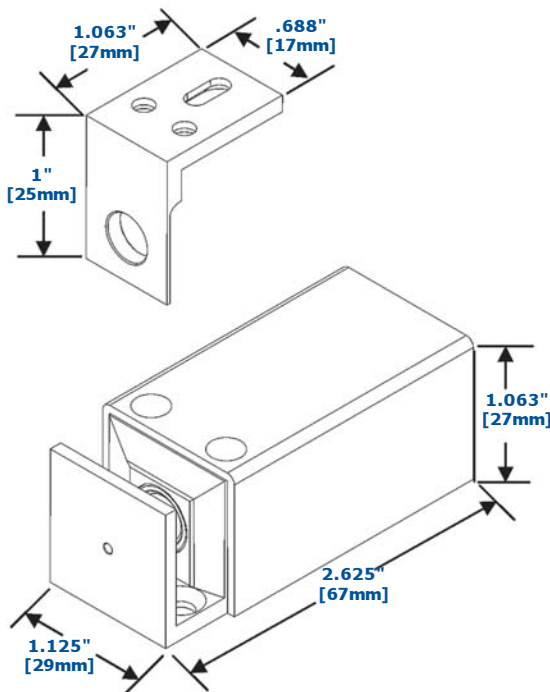
**Holding Force:** 600 lbs., intermittent duty

**Voltage:** 24VDC

**Current Draw:** 200mA

**Operating Temperature:** +32 to +110F [0 to +43C]

**Warranty:** MagnaCare Lifetime Replacement Warranty



### How To Order

Part #	Description
SCL-24	Solenoid Cabinet Lock 24VDC

