

SECURITRON MODEL XDT-12 AND XDT-24 EXIT DELAY TIMERS INSTALLATION AND OPERATING INSTRUCTIONS

1. DESCRIPTION

The XDT-12 and XDT-24 are specialized exit delay timers designed to be integrated with fail safe electric locks and switch equipped devices for delay initiation and reset. This creates a modular door control package which fully meets American and Canadian building codes for delayed exit (Special Locking Arrangements). See Section 3 for detailed information on these codes. As the part numbers show, separate versions of the XDT exist for operation on 12 or 24 VDC.

The power of the XDT, however, goes considerably beyond meeting the code requirements. Delayed exit is only one aspect of door control in sophisticated facilities. The XDT includes optional functions that can be employed in entry control, door/lock monitoring, and authorized immediate exit. External switches such as time clocks can also put the XDT into different modes if delayed exit is not desired at all times.

To simplify the installer's task in understanding these instructions, we first describe delayed exit which is the primary function of the XDT. Later sections describe the timer's optional functions. These sections can be quickly browsed to see if any of the functions will improve the installation.

2. DELAYED EXIT FUNCTIONS

Exact code requirements for delayed exit vary somewhat in different jurisdictions. These detailed variations will be addressed in Section 3. In general, however, delayed exit includes the following components and sequences of operation.

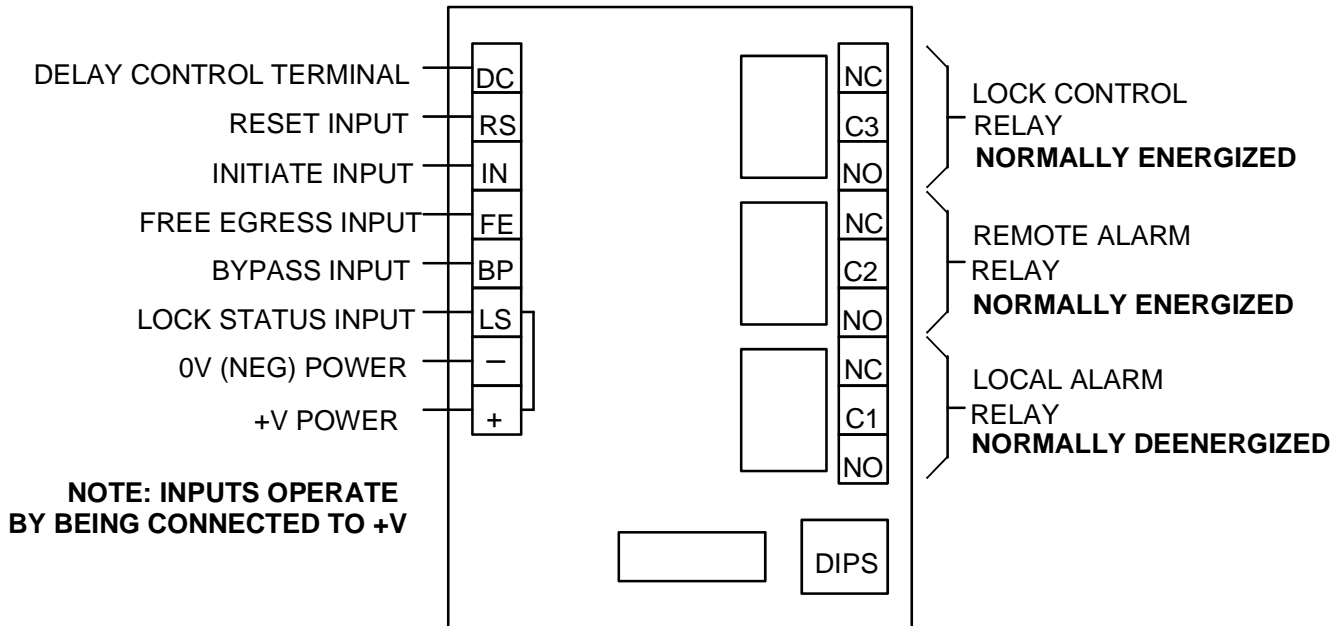
In the normal condition, the door is locked. The **locking device** must be a fail safe electric lock (secure when powered). It is most commonly an electromagnetic lock such as Securitron's Magnalock. An **initiate device** is used to start the exit sequence. The XDT timer requires that the initiate device includes a normally closed dry switch which opens to start the sequence. The safest type of initiate device is one that relies on no special knowledge for operation. Securitron's Touch Sense Bar is an excellent choice for non fire rated doors. A switch equipped fire rated panic bar is appropriate for fire rated doors. Push buttons are also used but they may not be acceptable to local building officials on the grounds of requiring special knowledge. Other initiate devices include mats, curtain detectors and monitoring strikes.

Once the initiate switch opens, a **nuisance delay** period begins. The nuisance delay period may be set for 1, 2 or 3 seconds. The duration of the nuisance delay period will depend on the local code and/or on the desires of the end user. The nuisance delay function can also be disabled. During the nuisance delay period, the XDT provides a pulsing relay output which is typically used to operate a local alarm horn or Sonalert. This notifies the person at the door that he has activated the initiate device. If he intends to exit, he must maintain pressure on the device until the end of the nuisance delay period. If he releases the initiate device before the nuisance delay times out, the local alarm signal will stop and the door will revert to normal (locked) mode. The sole purpose of the nuisance delay function is to deal with accidental triggering of the initiate device. It makes particular sense to employ the nuisance delay in buildings occupied by a changing population which will not be familiar with the exit control system. Retail stores or museums are good examples of such buildings.

Once the nuisance delay times out (or immediately if no nuisance delay has been set) the **release delay** period begins. The XDT's local alarm output will go from pulsing to steady. This will alert the person at the door that he need no longer maintain activation of the initiate device. Once the release delay begins, **it is irrevocable**. The door will release at the end of the period. Code mandated duration of the release delay period is 15 seconds although certain jurisdictions allow extension to 30 seconds by local building or fire safety officials. The release delay period on the XDT can therefore be set for 15 or 30 seconds and this total release delay time includes the nuisance delay. For example, if a 2 second nuisance delay is set, the remaining release delay will automatically be 13 or 28 seconds for a total of 15 or 30 seconds.

Once the door has released, it will remain released until manually relocked by a **reset device**. This is a normally closed switch which is momentarily activated. Relocking actually occurs on reclosure of the switch. Most commonly the reset device is a momentary spring loaded keyswitch such as Securitron's model MK. We recommend that the keyswitch be mounted at the door as this insures that security staff will actually inspect the door. In some jurisdictions the reset device may be a doorswitch. With a doorswitch, relocking occurs from the act of exiting the door. Certain codes require the use of a doorswitch as will be discussed in Section 3. The American BOCA code does require use of a doorswitch and also has a special and unique timed relocking sequence which is explained in section 3.4.

FIG. 1: OVERVIEW OF XDT BOARD



Use of the "local alarm relay" as shown in Figure 1 is required by code to signal at the door that the system is working. The local alarm relay pulses during the nuisance delay period and steadily energizes during the release delay period. At the end of this period, when the lock releases, the local alarm relay deenergizes. This informs the person exiting that the door may be used. A second relay (shown above) is called the remote alarm relay. **This relay is normally energized; it deenergizes to show an alarm condition.** It signals alarm from the beginning of the release delay period until the door is relocked. The remote alarm relay is intended to signal to a security office that a security violation is occurring at the door. It ignores the nuisance delay period as this should be seen as a "false alarm" unless the delay becomes irrevocable. It also continues to signal until the door is relocked, correcting the security violation. The remote alarm relay should also be considered a general "trouble" signal. If the board loses power, this relay will deenergize signaling trouble. It is also used to signal other optional alarm conditions described in Section 7.

3. SPECIFIC CODE REQUIREMENTS

We must strongly emphasize that the following sections on code requirements should not be considered definitive. They represent Securitron's best understanding of the individual codes at the time of this manual's most recent revision. Codes, however, can change suddenly and are also subject to local interpretations that may differ from the descriptions that follow. You should consider these descriptions as a starting point which should be confirmed or altered by the local authority having jurisdiction.

In the following 5 sections, we describe individual code requirements in 4 functional areas: Nuisance delay, Release delay, Relocking and Power. The main issue in the Power function is whether or not battery backup can be applied to the locking system to keep the door functional in a local power failure.

All of the codes call for immediate release of all locks in the event of activation of the fire detection system. The proper way to accomplish this is by employing an auxiliary latching relay with contacts of appropriate size to handle the total lock load. The relay should be a listed part of the fire detection system and all lock system DC power should flow through its NC contacts. The individual codes also typically specify the type of fire detection system that must be in place

and limit use to certain occupancy types. These details do not affect how the XDT board is configured so they are beyond the scope of this manual. **We recommend strongly, however, that the end user assure himself that his occupancy and fire detection system qualify to support delayed exit in his local area.**

These exit delay timers have only been evaluated by UL for use in the EXD-1 and EXD-1F FWAX systems.

3.1 NFPA 101 (SPECIAL LOCKING ARRANGEMENTS)

This code by the National Fire Protective Association was the first implementation of delayed exit. It formed the basis for the different model code versions which follow and is still used in many specifications.

NUISANCE DELAY: Permitted up to 3 seconds.

RELEASE DELAY: 15 seconds or extension to 30 seconds with local approval.

RELOCKING: Must be "manual". This is generally interpreted to mean that a door switch can not be used for relocking. A keyswitch is the typical technique used.

POWER: The door must release when DC power to it is cut off. This means that battery backup of the system power supply can be considered acceptable, but this is a point to confirm with the local authority.

3.2 STANDARD BUILDING CODE

NUISANCE DELAY: Not allowed.

RELEASE DELAY: 15 seconds or extension to 30 seconds with local approval.

RELOCKING: Must occur only when the door opens. A door switch rather than a keyswitch must be used.

POWER: The door must release when DC power to it is cut off. This means that battery backup of the system power supply can be considered acceptable, but this is a point to confirm with the local authority.

3.3. UNIFORM BUILDING CODE

NUISANCE DELAY: Required and must be set at 2 seconds.

RELEASE DELAY: 15 seconds only.

RELOCKING: Must be "manual" and must be located at the door. This is generally interpreted to mean that a door switch can't be used for relocking. A keyswitch is typical.

POWER: The door must release when power to it is cut off. The door must also release if power to the smoke detection system or exit illumination system is lost. This is generally accomplished by using the same line voltage source to operate the lock power supply as operates the smoke detection and exit illumination systems. Battery backup for the locks is normally excluded.

3.4 BOCA

NUISANCE DELAY: Required and must be set at 1 second.

RELEASE DELAY: 15 seconds or extension to 30 seconds with local approval.

RELOCKING: A door switch must be used and a special type of timed relocking is required. After the release delay expires, the lock releases. When the door is opened, the door switch changes state but nothing happens immediately (the lock remains released). When the door recloses, a "relock delay" of 30 seconds begins. If the door is not opened again during this 30 second period, it will relock. If it is opened again, the 30 second relock delay will begin again on door closure. The door will only relock when it has been left undisturbed for 30 seconds after reclosure. The local authority may extend the relock delay to 45 seconds for sensitive facilities. The standard XDT board supports the BOCA 30 second relock sequence. If the 45 second relock sequence is required, contact the factory to receive a modified board.

POWER: The door must release when power to it or to the building is cut off. Battery backup of the lock power supply is therefore specifically excluded.

3.5 NATIONAL BUILDING CODE OF CANADA

NUISANCE DELAY: Not allowed.

RELEASE DELAY: 15 seconds only

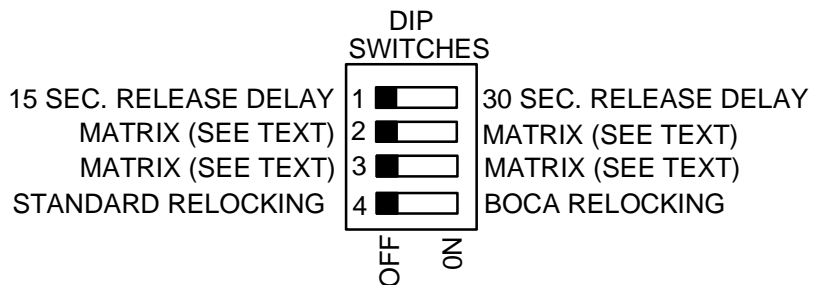
RELOCKING: Must be "manual". This is generally interpreted to mean that a doorknob can not be used for relocking. A keyswitch is the typical technique used.

POWER: The door must release when power to it or to the building is cut off. Battery backup of the lock power supply is therefore specifically excluded.

4. DIP SWITCH SETTING

Once you have determined the values to be set for nuisance delay, release delay and whether you want BOCA relocking used, dip switches on the board may be set to select these parameters. The factory set condition of the board is nuisance delay disabled, 15 second release delay and standard (non BOCA) relocking. If you require a variation from this configuration, some Dip Switch settings will have to be altered. When changing Dip Switch settings, **note that the board must be repowered** as the switch settings are read on power up.

Switch 1: This sets the amount of time for release delay. In the factory set (Off) position, release delay is set for 15 seconds. Turning the switch On sets a 30 second release delay.



FACTORY SETTINGS SHOWN IN BLACK

Switch 2 and 3: The combined position of the 2 switches selects 4 different values for nuisance delay.

MATRIX #1: Switch **2 Off**; Switch **3 Off** (factory set): nuisance delay disabled

MATRIX #2: Switch **2 On**; Switch **3 Off**: 1 second nuisance delay

MATRIX #3: Switch **2 Off**; Switch **3 On**: 2 second nuisance delay

MATRIX #4: Switch **2 On**; Switch **3 On**: 3 second nuisance delay

Switch 4: This implements BOCA timed relocking. In the factory set (Off) position, standard relocking from a momentary reset switch is implemented.

When the switch is turned On, 30 second delayed BOCA relocking is set. Under some conditions, local authorities may require a 45 second delayed BOCA relocking. The standard XDT board does not support this. Contact the factory to order a modified board with the 45 second feature. See section 3.4 for a description of BOCA relocking.

5. POWER

Two versions of the XDT exist which operate respectively on 12 or 24 VDC. Voltage can vary from -10% to +20% and **must be filtered or regulated**. Pulsating DC (**transformer + bridge rectifier**) is not acceptable. If you are forced to use pulsating DC, install a 1000 Microfarad capacitor across the board's "+" and "-" terminals to create a filter. The reason why the XDT is not a dual voltage board is that it includes 3 relays and therefore draws a relatively large amount of current. Supplying separate versions for the 2 voltages minimizes the current draw but **the board will still draw a maximum of 100 mA at 12 VDC or 50 mA at 24 VDC**. As this is high for a timer, be sure that your power supply is of adequate capacity to support the load of the board with that of the electric lock.

A related power issue is a description of how the board behaves upon loss of power or reduction of the input voltage. **It is always intended that the XDT is permanently powered except in the event that the fire alarm system removes all power from the delayed exit locking system.**

In the "normal" condition, the lock control relay (C3) and the remote alarm relay (C2) are energized. The local alarm relay (C1) is deenergized. In this condition, the lock is powered (secure) and no alarms are being signaled. If the board loses power from a broken wire for instance, the lock control relay will deenergize releasing the electric lock. This is a safety

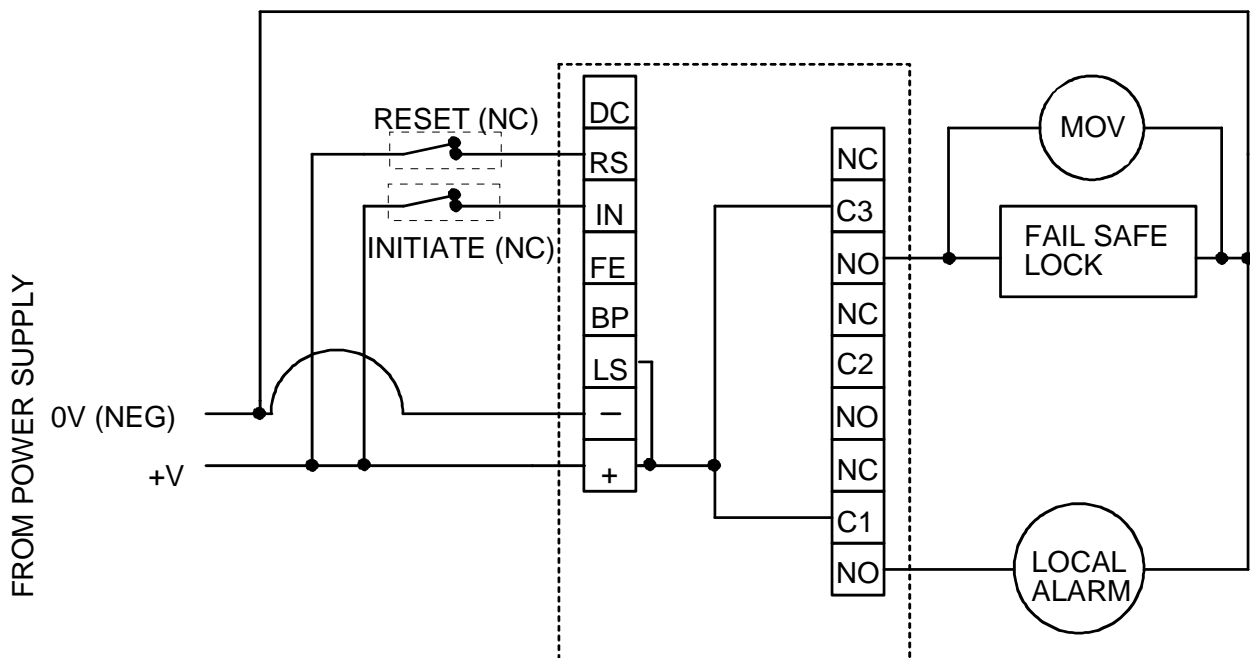
feature. The remote alarm relay will also deenergize which will signal trouble at the door. This is a security feature. The local alarm relay will remain deenergized and therefore not signal at the door as the local alarm relay is intended to signal a delayed exit event and without power, the board is not capable of producing such an event; the lock is immediately released upon loss of board power.

If the system has been approved for the use of battery backup, loss of building power will not immediately alter anything at the door as the batteries will take over. If power is out for an extended period of time, however, the batteries will begin to drain and lose voltage. As an additional safety feature, **the XDT includes a low voltage sensing circuit.** The board will keep working normally as the voltage declines until it reaches roughly 70% of nominal. At that point, the XDT will automatically act as if all power was removed. The lock releases and the remote alarm relay deenergizes, signaling trouble at the door.

6. WIRING

Six additional components are needed to create a delayed exit installation built around the XDT: Power supply, fail safe lock, initiate switch, reset switch, local alarm sounder and MOV. Interconnection of these components is shown in the drawing below. The MOV is a "button" like, 2 wire component packed with the XDT board. It is installed in parallel with the fail safe lock and its function is to absorb the inductive kickback which is generated when the lock is switched off. If the MOV is omitted, electronic noise from the lock may interfere with proper operation of the board and relay life will be shortened. If you are used Securitron's Magnalock in the installation, the MOV may be omitted because the Magnalock has internal inductive kickback protection.

FIG. 2: TYPICAL XDT WIRING



NOTE: MOV NOT NEEDED IF SECURITRON MAGNALOCK IS USED

Note the following points refer to the drawing on this page.

The board receives 12 or 24 VDC according to the version selected.

Power must be supplied at all times except in the event that the fire alarm system activates.

The switches used for delay initiation and reset (relocking) must be normally closed.

The fail safe lock operates on the same power that operates the board so that it will be safely released in the event of a fire.

The local alarm is typically a Sonalert or other DC horn.

As factory delivered, terminal "+" is jumpered to "LS" to disable lock status sensing. This optional monitoring feature is described in section 7.1.

The MOV supplied with the XDT must be wired as shown, unless Securitron's Magnalock is used as the locking device.

7. OPTIONAL FUNCTIONS

The following optional functions are not necessary to meet delayed exit safety codes but may be implemented as desired to increase the utility of the application.

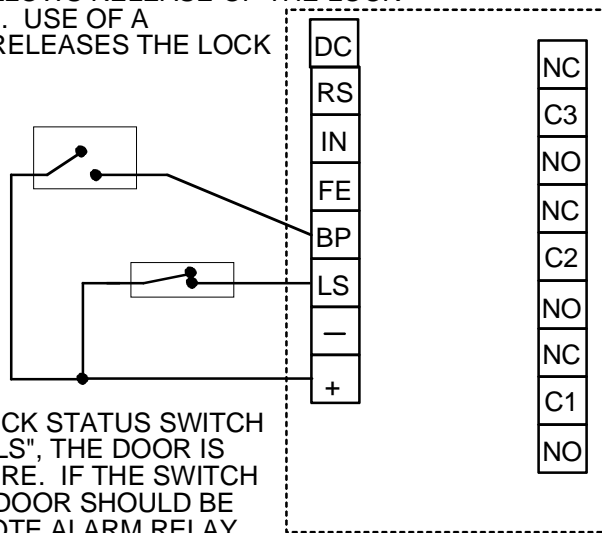
7.1 LOCK STATUS REPORTING

The LS input is for optional lock (or door) status reporting. Note that when the XDT is delivered, the LS terminal is jumpered to the "+" terminal. In this mode, the board interprets the lock as being secure so no reporting occurs, and the board can be used for normal delayed exit.

To implement lock status reporting, a lock status switch, door switch or positive voltage signal should be connected to LS so that +V is present on LS when the lock or door is secure. If the lock or door stops reporting secure when the door has not been released by the board, the remote alarm relay will switch 5 seconds later and remain switched until LS again receives +V. The purpose for the 5 second delay is to allow a door to reclose and again report secure after legitimate use. If any function of the XDT board has released the door, the LS input will be ignored until the board has relocked the door. This feature allows use of the XDT board to perform exit delay and yet also report on propped doors or forced doors.

FIG. 3: OPTIONAL LOCK STATUS AND BYPASS FUNCTIONS

WHEN +V IS CLOSED TO "BP", THE LOCK WILL RELEASE AND ALL ALARMS WILL BE SUPPRESSED. USE WITH AN ALTERNATE SWITCH ALLOWS RELEASE OF THE LOCK FOR A PERIOD OF TIME. USE OF A MOMENTARY SWITCH RELEASES THE LOCK FOR 5 SECONDS TO PERMIT AUTHORIZED USE OF THE DOOR.



WHEN DOOR OR LOCK STATUS SWITCH CONNECTS +V TO "LS", THE DOOR IS CONSIDERED SECURE. IF THE SWITCH OPENS WHEN THE DOOR SHOULD BE SECURE, THE REMOTE ALARM RELAY WILL SIGNAL AFTER A 5 SECOND DELAY AND REMAIN IN THIS STATE UNTIL THE SWITCH CLOSES AGAIN. THE WHITE WIRE OF A SECURITRON "S" MAGNALOCK CAN CONNECT DIRECTLY TO "LS".

7.2 BYPASS FUNCTION

The optional bypass function has two purposes: door release for extended periods and authorized entry or exit through the door. Release for extended periods is usually implemented on a time schedule. A door may be released all day and put into delayed exit mode at night for security. To accomplish this, +V is simply switched into the BP terminal by a time clock or other alternate action switch. When the BP input is receiving +V, the lock is released and all other functions of the board are suppressed. The initiate switch will not start nuisance or release delay and lock status monitoring is suppressed since, during bypass, the lock is not supposed to be secure. The two alarm relays will remain in their normal states.

For authorized door use, a momentary switch connects between BP and +V. When the switch closes, the door releases. When the switch reopens, the door remains released for 5 seconds. This is called an "off delay" function. When the BP terminal is used in this manner with a momentary switch, timed authorized entry or exit can be performed.

A typical application for the bypass function is the use of a double momentary keyswitch such as Securitron's model MK with MKS second switch. When turned in one direction, the MK will perform relocking after a delayed exit event. When turned in the other direction, the MK will perform bypass so that an authorized person will be able to release the door for 5 seconds for

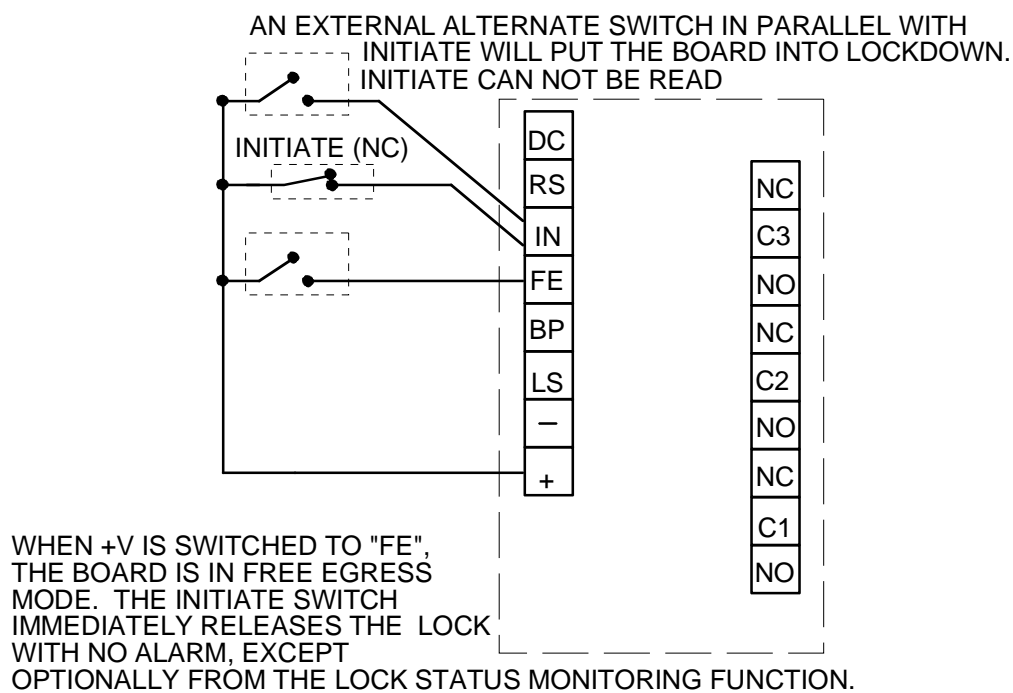
immediate egress without creating any alarm. In similar fashion, a momentary keyswitch can operate the bypass function from the exterior of the door for authorized timed entry.

A special situation arises if a momentary bypass switch is used during the release delay period. The lock releases immediately for as long as the bypass switch is closed. The 15 or 30 second release delay countdown continues "in the background" as by code, this process is irrevocable. If the bypass switch reopens before the release delay expires, the lock will resecure and correctly release again when the underlying release delay times out. The bypass switch, therefore can be used for momentary immediate exit or entry during the release delay period without affecting code legal operation of the board.

7.3 FREE EGRESS FUNCTION

The free egress function puts the board in a different operating mode. When +V is switched to terminal FE by an alternate action switch, the board goes into free egress mode. In this mode, use of the initiate device, immediately releases the door for egress. When the initiate device is released, the door immediately relocks. Often, a time clock such as Securitron's model DT-7 is used to put the door into free egress mode during the day and exit delay mode at night.

FIG. 4: OPTIONAL FREE EGRESS AND LOCKDOWN MODES



The free egress mode differs from the bypass mode as follows: When the door is bypassed, the fail safe lock is released so that both entry and exit is freely possible. Also, during bypass mode, the board performs no monitoring functions. In the free egress mode, the lock remains secure so that entry is blocked, but egress without alarm signaling occurs immediately when the initiate device is pressed. If lock status monitoring is in use, the remote alarm relay will still report a door that doesn't resecure within 5 seconds after a free egress event.

The free egress function is most successfully used with a switched exit device such as Securitron's Touch Sense Bar. Free egress occurs with a single motion. If a push button is being employed, the button will have to be held and the door pushed open with the other hand.

7.4 LOCKDOWN MODE

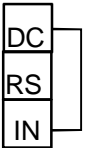
It may be desired that exit delay be employed during the day but at night and weekends, when the building is empty, the door should be locked with no unauthorized egress or entry possible. This is most easily accomplished by the use of a time clock switch, such as Securitron's model DT-7, which will close across terminals "+" and IN to put the board into lockdown. This simply shunts out the initiate device so that the board cannot respond to its use. If authorized entry or exit is desired, the bypass function will still release the door for 5 seconds. If lock status monitoring has been implemented, an alarm signal will still be created in the event of a forced door or a bypassed door that doesn't relock. We recommend that use of lockdown mode be checked with the local approving authority in advance.

7.5 LOCK POWERED AFTER RELEASE DELAY MODE (DELAY CONTROL)

In ordinary delayed exit, the fail safe lock releases after the delay and remains released until the reset switch performs relocking. In facilities where a threat exists from the outside, the question arises as to security against unauthorized entry after the release delay has expired. It may be that the delayed exit cycle was initiated by mistake or as an act of vandalism. It may take some time for a guard to arrive at the door to effect relocking and there is always some risk that security procedures will fail, despite the alarm signals, and the door will be left in this released state for an extended period of time.

If a latch equipped panic bar is present on the door, some security will still exist against unauthorized entry. However, many doors will employ a non latch equipped initiate device such as Securitron's Touch Sense Bar. Also, any door which combines delayed exit with controlled entry (such as from a card reader) must depend only on the fail safe lock for entry security.

The XDT can be set so that after the release delay expires, the fail safe lock remains engaged so long as the initiate device is not being pressed. When the initiate device is pressed, the lock immediately releases but resecures after the initiate device is no longer being pressed. This preserves security from the outside. To implement this, simply run a wire from terminal DC to terminal IN. This is the only use for terminal DC. We believe that this method of operation meets the intent of all exit delay codes but it is certainly possible that conservative safety officials might reject it, so we advise that specific approval be sought for this variation.



MAGNACARE® LIMITED LIFETIME WARRANTY

SECURITRON MAGNALOCK CORPORATION warrants that it will replace at customer's request, at any time for any reason, products manufactured and branded by SECURITRON.

SECURITRON will use its best efforts to ship a replacement product by next day air freight at no cost to the customer within 24 hours of SECURITRON's receipt of the product from customer. If the customer has an account with SECURITRON or a valid credit card, the customer may order an advance replacement product, whereby SECURITRON will charge the customer's account for the price of the product plus next day air freight, and will credit back to the customer the full amount of the charge, including outbound freight, upon SECURITRON's receipt of the original product from the customer.

SECURITRON's sole and exclusive liability, and customer's sole remedy, is limited to the replacement of the SECURITRON product when delivered to SECURITRON's facility (freight and insurance charges prepaid by customer). The replacement, at SECURITRON's sole option, may be the identical item or a newer unit which serves as a functional replacement. In the event that the product type has become obsolete in SECURITRON's product line, this MAGNACARE warranty will not apply. This MAGNACARE warranty also does not apply to custom, built to order, or non-catalog items, items made by others (such as batteries), returns for payment, distributor stock reductions, returns seeking replacement with anything other than the identical product, or products installed outside of the United States or Canada. This MAGNACARE warranty also does not apply to removal or installation costs.

SECURITRON will not be liable to the purchaser, the customer or anyone else for incidental or consequential damages arising from any defect in, or malfunction of, its products. SECURITRON does not assume any responsibility for damage or injury to person or property due to improper care, storage, handling, abuse, misuse, or an act of God.

EXCEPT AS STATED ABOVE, SECURITRON MAKES NO WARRANTIES, EITHER EXPRESS OR IMPLIED, AS TO ANY MATTER WHATSOEVER, INCLUDING WITHOUT LIMITATION THE CONDITION OF ITS PRODUCTS, THEIR MERCHANTABILITY OR FITNESS FOR ANY PARTICULAR PURPOSE.