

Integrated Movement Exit Delay with Advanced Technology (iMXDa)



Application - iMXDa helps prevent peril to persons/patients and property loss/theft for businesses. Applications include dementia wards, hospitals, dormitories, airports, child care facilities and retail or warehouse environments. Installation requires no alteration or replacement of existing fire-rated or non-fire-rated latching hardware. False triggering is eliminated by up to 1" of authorized door movement.

Features and Benefits

- 1,200 lbs. holding force Magnalock®
- New shorter 12.5" overall length will fit most any door with a closer installed
- Now with automatic dual voltage - no field adjustment required
- New bracket-mounted design improves strength and installation time
- Tamper switch for access chamber cover removal/placement monitoring
- Microprocessor monitored BondSTAT Magnetic bond sensor (MBS) and Integrated Door Position Switch (DPS) standard
- Reverse action plunger allows for adjustable alarm initiate gap from 1/8" [3.2mm] to 1" [25mm]
- Super bright LEDs indicate unit status from the secure side of the door
- DIP switch selectable options:
 - Nuisance alarm times - 0 to 3 seconds
 - Irrevocable delay times - 15 seconds or 30 seconds - user selectable
 - External bypass delay times - 0, 5, 10 or 15 seconds
 - Post alarm reminder - user selectable
 - Bypass expiration alarm - user selectable
 - Manual relock or delayed automatic relock (BOCA) - user selectable
- External alarm relay isolated dry contact (1A @24 VDC)
- External reset
- iEXD version allows alarm initiation via an external panic device
- Indoor use only
- UL Listed



Specification Data

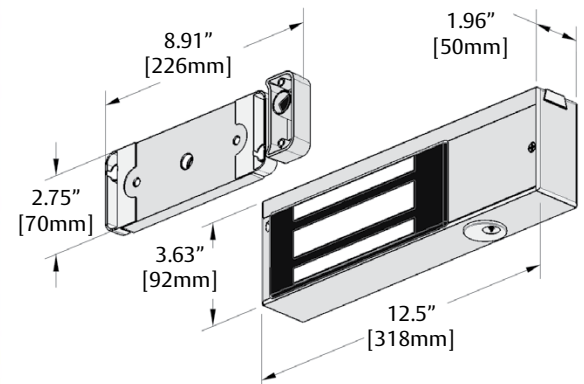
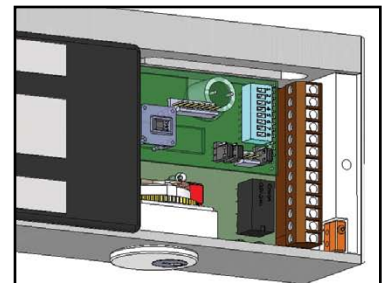
Holding Force: 1,200 lbs. [544 Kg.]
 Current Draw and Voltage:
 370mA max @ 12VDC
 270mA max @ 24VDC
 Shipping Weight: 15 lbs.
 Warranty: MagnaCare Lifetime Replacement Warranty

How To Order

Part #	Description
iMXDa	Integrated Motion Exit Delay System - Advanced 12/24 VDC
iEXDa	Integrated Electronic Exit Delay System - Advanced 12/24 VDC



NEW SIZE...
 only 12.5" long
 and loaded with
 new features



Call 1-800-MAGLOCK
www.securitron.com

