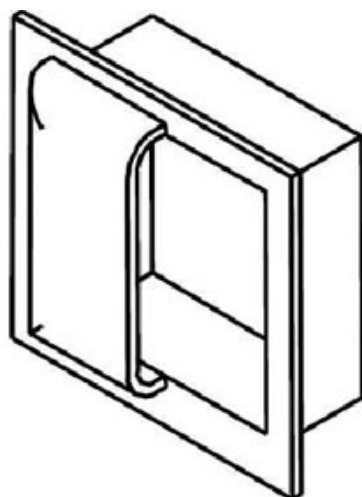


Trimco Door Pulls And Grips: Flush Pull - Anti-Vandal



1111C

Part	Template
1111C	18718
1111C BTB	18723

Finally a flush pull made especially for high-traffic, exposed, rough-service areas! This product was specially engineered for use as exit trim on school doors with interior panic hardware.

TRIMCO's new 1111C exit trim functions easily, yet resists vandalism. Smooth surfaces defy attachment by hooks, ropes, chains or other destructive devices. Sturdy inside fasteners mate to exterior blind sex-nuts for additional security.

Available only from TRIMCO the 1111C flush pulls are perfect for use on public buildings such as schools and park facilities. Ideal for rear doors of retail malls or strip commercial buildings.

TRIMCO's product 1111C complies with Building Code Accessibility Standards for the Handicapped and has been approved in many states. Non-handed and available in most architectural finishes. Designed to work in conjunction with all standard panic hardware.

Custom BTB Available

Meets the New California Disability Requirements.

ADA / Made in the U.S.A.

Patent Pending

BHMA = J403

Br, Bz, SS

