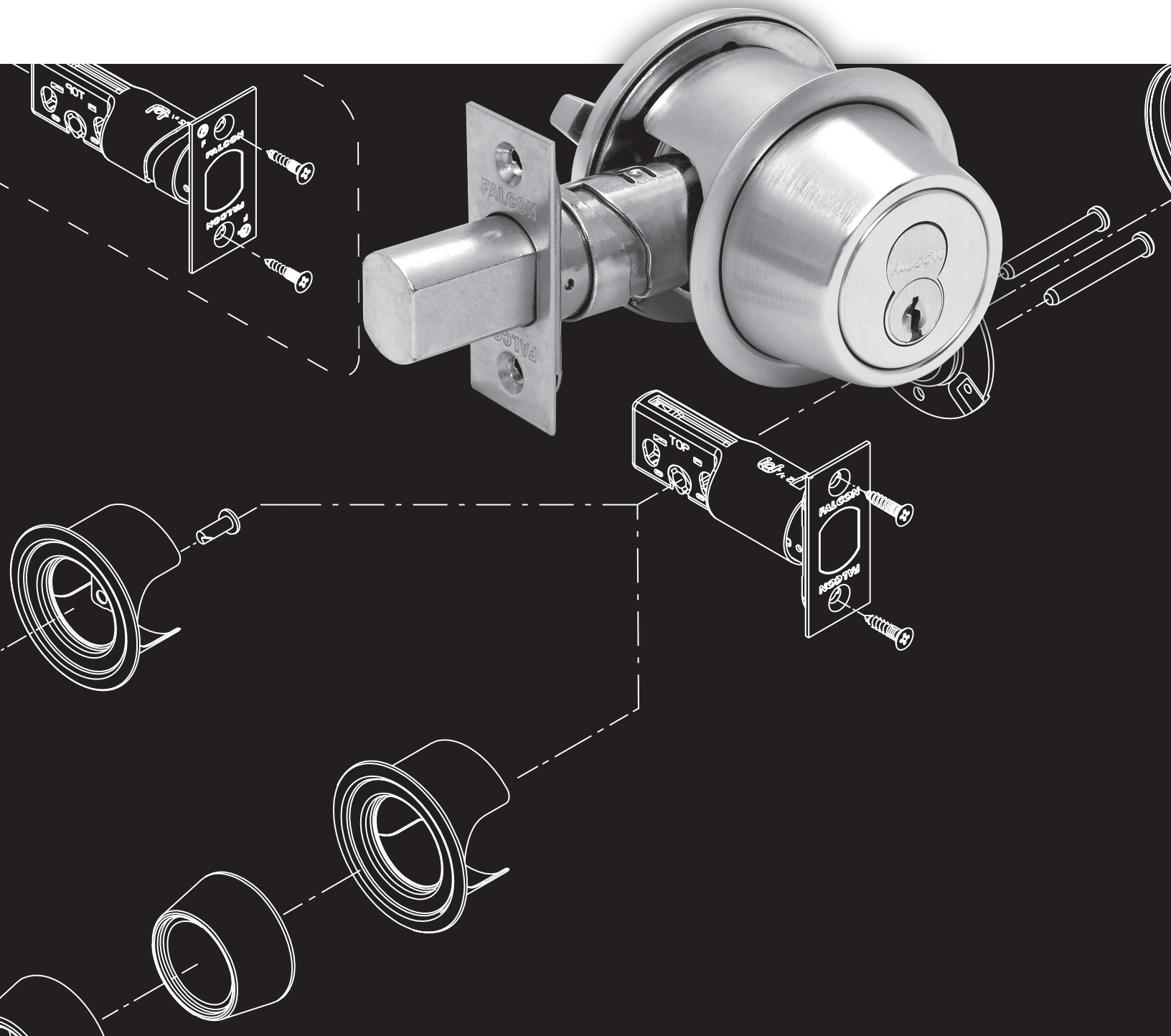


FALCON

D100/D200 Deadbolt Service Manual

Grade 1 & Grade 2 Deadbolt



D100/200 Series Service Manual

Table of Contents

Introduction	1
Lock Assembly Drawing Index.....	2-3
Lock Assemblies	4-17
D111G/D111P	4
D121G/D121P	5
D131G	6
D131P	7
D141G/D141P	8
D151.....	9
D211G/D211P	10
D221G/D221P	11
D231G.....	12
D231P	13
D241G/D241P	14
D251.....	15
D261	16
D261M	17
D271	18
Deadbolts	19
Strikes	20
Accessories	21-23
Screws/Screw Packs	24
Cylinders and Tailpieces	25-27
Conventional	25
SFIC	26
Tailpieces	27

Introduction

This manual contains a complete listing of Falcon D100-200 Series (Grade 1/Grade 2) deadbolt lock parts and assemblies. This edition lists components of D100-200 Series locks manufactured after January 2008.

Exploded views of each deadbolt and trim assemblies are provided with accompanying charts to identify parts for replacement purposes.

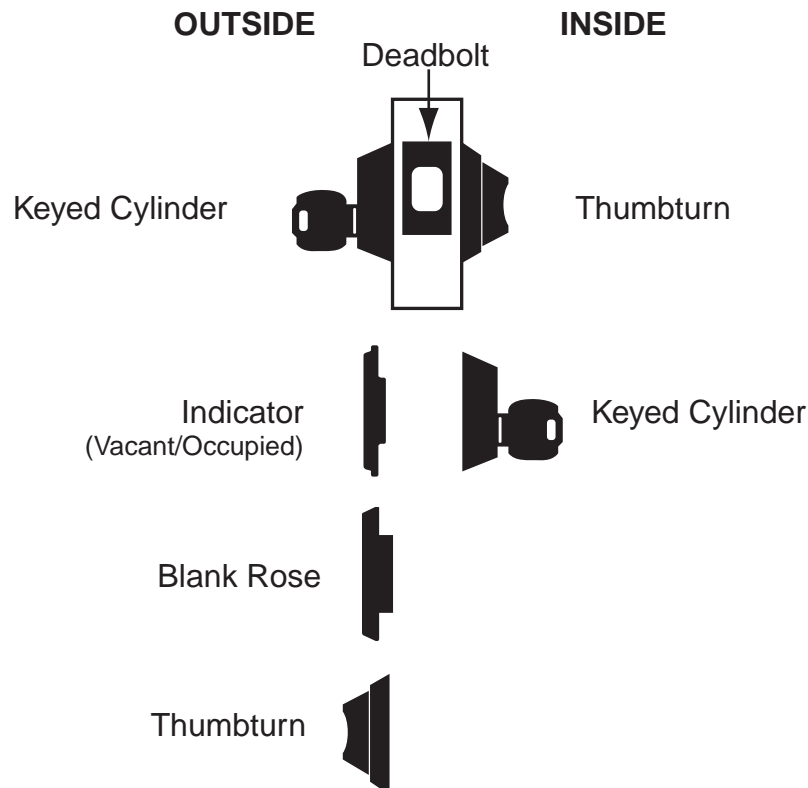
In addition, this manual contains lock ordering procedures, general cylinder information and all auxilliary components of the D100-200 Series Deadbolt.

Standard Features


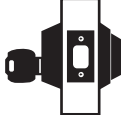


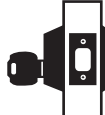





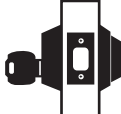


	D100 Series	D200 Series
Certifications	BHMA-ANSI A156.5, 2001, Grade 1 auxiliary lock, Available UL Listed for 3-Hour fire door	BHMA-ANSI A156.5, 2001, Grade 2 auxiliary lock, Available UL Listed for 3-Hour fire door
Deadbolt	1-1/8" x 2-1/4", Square corner faceplate, 1" housing diameter, 1" throw	
Strike	1-1/8" x 2-3/4", lipless, with box	
Cylinder	6-Pin, Solid brass, Keyed 5-Pin, Falcon G keyway, Keyed different (KD)	
Door Range	1-3/8" - 1-3/4" standard	
Keys	Two, Nickel silver cut keys per lock, Falcon G keyway	
Reinforcement	Metal dust box reinforcer with three - 3" screws	
Trim Ring	1" Wrought brass or bronze, reinforced with security insert	


Locks are furnished with standard features unless otherwise specified.

Guide to Index Symbols for Lock Assembly Drawings


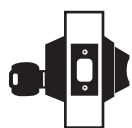


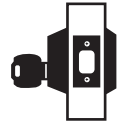


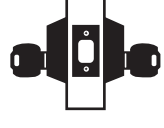


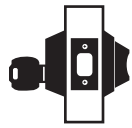









Lock Assembly Drawing Index

Function		BHMA/ANSI A156.6, 2001, Grade 1					
FALCON	ANSI	FUNCTION	CYLINDERS	PAGE	OUTSIDE FUNCTION	INSIDE FUNCTION	
D111	E0171	Classroom Function		P.4	Deadbolt thrown or retracted by key from outside.		Inside turn will only retract bolt. Bolt automatically deadlocks when fully thrown.
				P.4			
D121	E0161	Single Cylinder x Rose		P.5	Deadbolt thrown or retracted by key only.		Blank plate inside. Bolt automatically deadlocks when fully thrown
				P.5			
D131	E2141	Double Cylinder*		P.7	Deadbolt thrown or retracted by key from either side.		Deadbolt thrown or retracted by key from either side. Bolt automatically deadlocks when fully thrown.
				P.6			
D141	E2151	Single Cylinder x Thumbturn		P.8	Deadbolt thrown or retracted by key from outside.		Deadbolt thrown or retracted by turn. Bolt automatically deadlocks when fully thrown.
				P.8			
D151		Thumbturn x Thumbturn		P.9	Deadbolt thrown or retracted by turn.		Deadbolt thrown or retracted by turn.

 Standard cylinder.  SFIC - small format interchangeable core option.

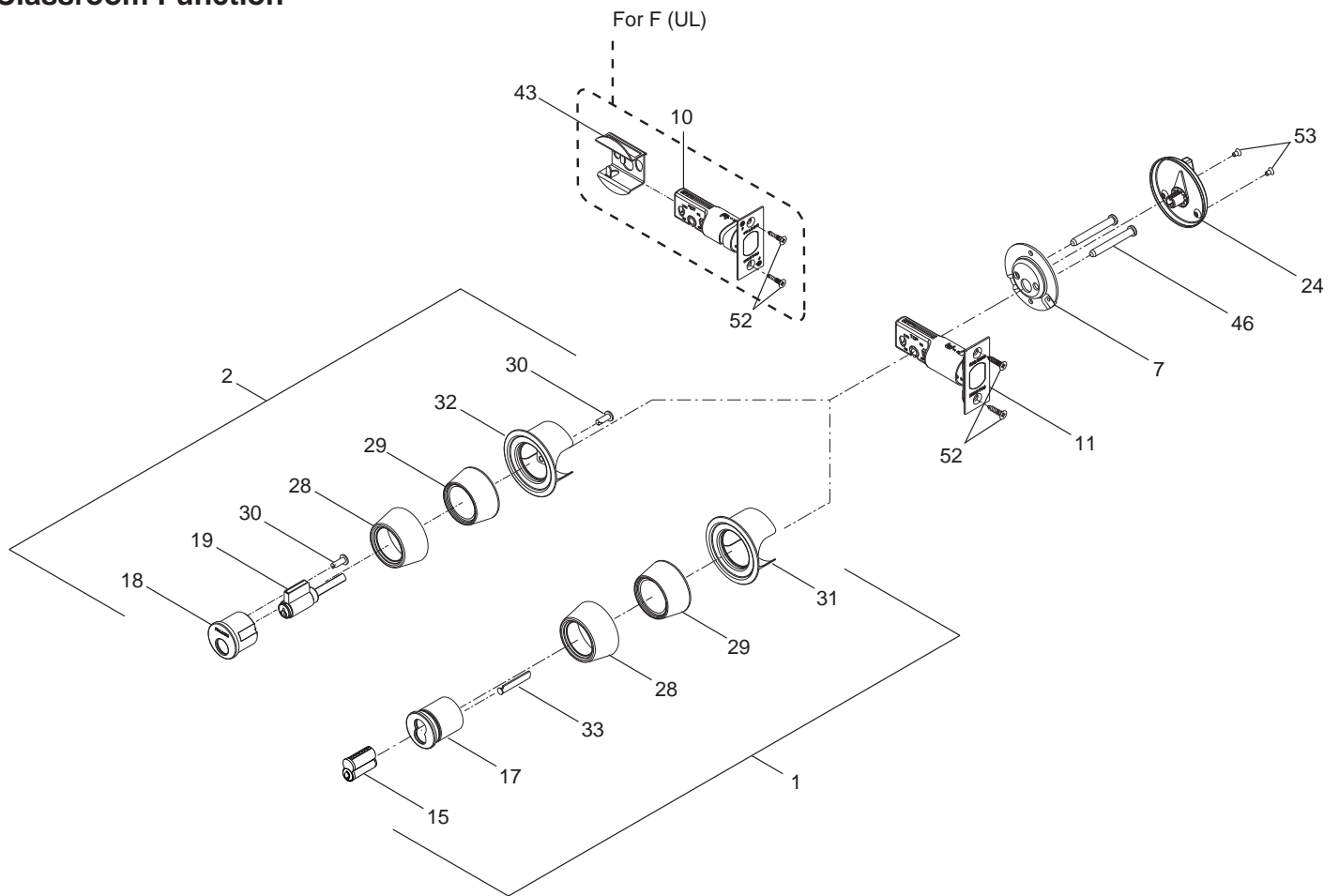
* **Caution:** Double cylinder locks on residences—or on any door in any structure which is used for egress—are a life safety hazard in times of emergency, and their use is not recommended. Installation should be in accordance with existing codes only.

Function		BHMA/ANSI A156.6, 2001, Grade 2					
FALCON	ANSI	FUNCTION	CYLINDERS	PAGE	OUTSIDE FUNCTION	INSIDE FUNCTION	
D211	E0172	Classroom Function		P.10	Deadbolt thrown or retracted by key from outside.		Inside turn will only retract bolt. Bolt automatically deadlocks when fully thrown.
				P.10			
D221	E0162	Single Cylinder x Rose		P.11	Deadbolt thrown or retracted by key only.		Blank rose inside. Bolt automatically deadlocks when fully thrown.
				P.11			
D231	E2142	Double Cylinder*		P.13	Deadbolt thrown or retracted by key from either side.		Deadbolt thrown or retracted by key from either side. Bolt automatically deadlocks when fully thrown.
				P.12			
D241	E2152	Single Cylinder x Thumbturn		P.14	Deadbolt thrown or retracted by key or by turn. Bolt automatically deadlocks when fully thrown.		Deadbolt thrown or retracted by turn unit only. Bolt automatically deadlocks when fully thrown.
				P.14			
D251		Thumbturn x Thumbturn		P.15	Deadbolt thrown or retracted by turn.		Deadbolt thrown or retracted by turn.
D261	E2192	Thumbturn, Inside Only		P.16	No outside trim.		Deadbolt thrown or retracted by turn unit only. Bolt automatically deadlocks when fully thrown.
D261M	E01112	Thumbturn, Inside x Rose		P.17	Outside blank rose.		Deadbolt thrown or retracted by turn unit only. Bolt automatically deadlocks when fully thrown.
D271		Thumbturn x Occupancy Indicator		P.18	Occupancy indicator on outside (reads either in use or vacant with color coding).		Deadbolt thrown or retracted by turn unit only. Bolt automatically deadlocks when fully thrown.

 Standard cylinder.  SFIC - small format interchangeable core option.

* **Caution:** Double cylinder locks on residences—or on any door in any structure which is used for egress—are a life safety hazard in times of emergency, and their use is not recommended. Installation should be in accordance with existing codes only.

**D111G (SFIC)
D111P
Classroom Function**



Call Out Number	Description	Part Number
1	Outside Housing Assy (G only)	SFIC
2	Outside Housing Assy (P only)	Q500-074
7	Mounting Plate	B600-018
10	Fire-Rated Bolt (F only)	*
11	Regular Bolt	Q330-256
15	SFIC Cylinder	C607
17	Outside Cylinder Housing Assy	B610-204
18	Cylinder Housing Assy	Q500-009
19	5 Pin Cylinder Assy	Q500-064
24	Thumbturn Assy, Classroom	B302-045

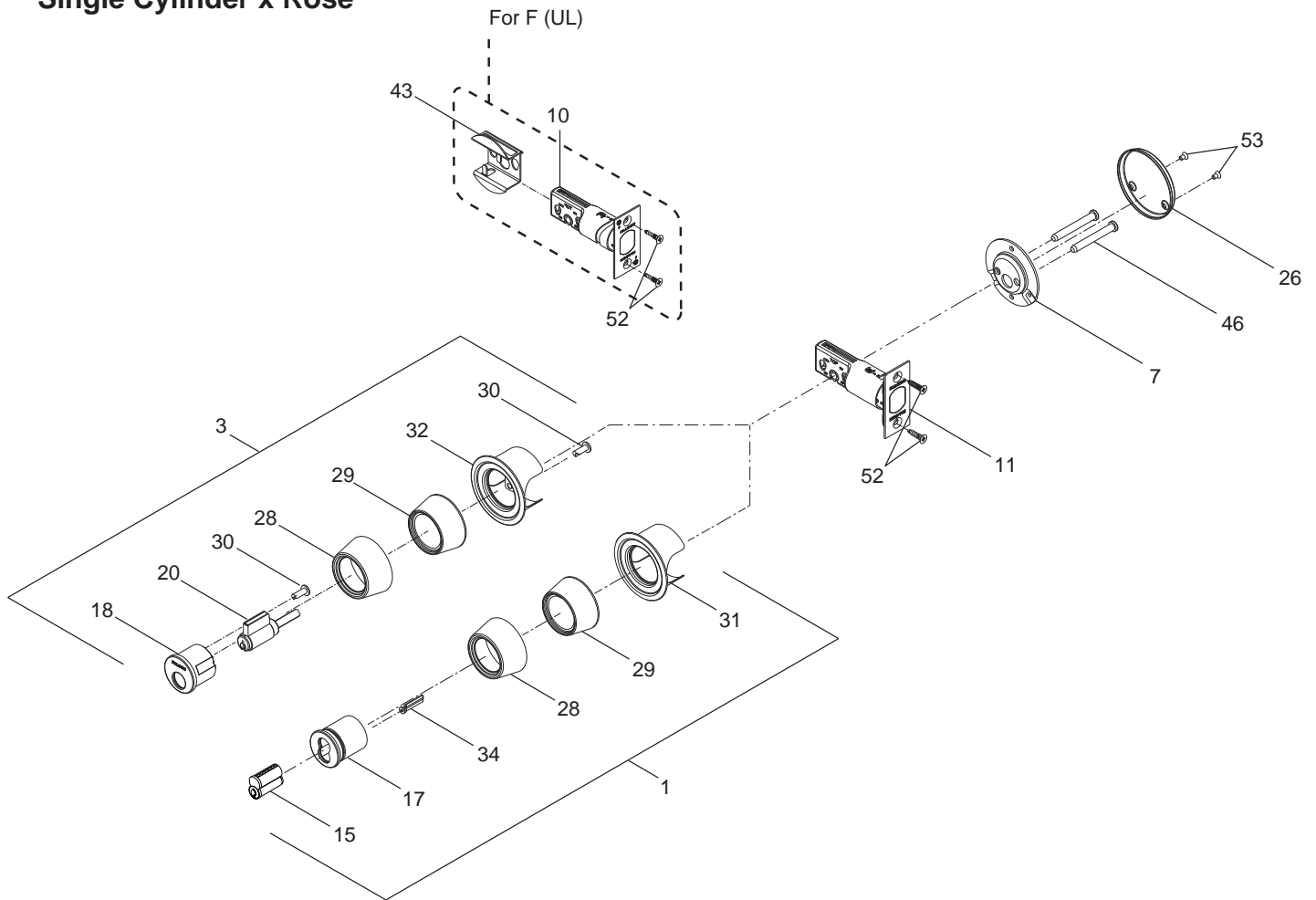
Call Out Number	Description	Part Number
28	Outside Rose	36-086
29	Insert Ring	B520-541
30	Cylinder Retaining Screw (2)	B300-108
31	Adapter Shield	B520-650
32	Anti-Pry Shield	B520-649
33	Driver Bar	B202-957
43	Fire Cup (F only)	*
46	Screw, Mounting (2)	B600-100
52	Screw, Deadbolt (2)	C603-897
53	Screw, Trim (2)	B600-066

* Not for sale as individual parts.

D121G (SFIC)

D121P

Single Cylinder x Rose

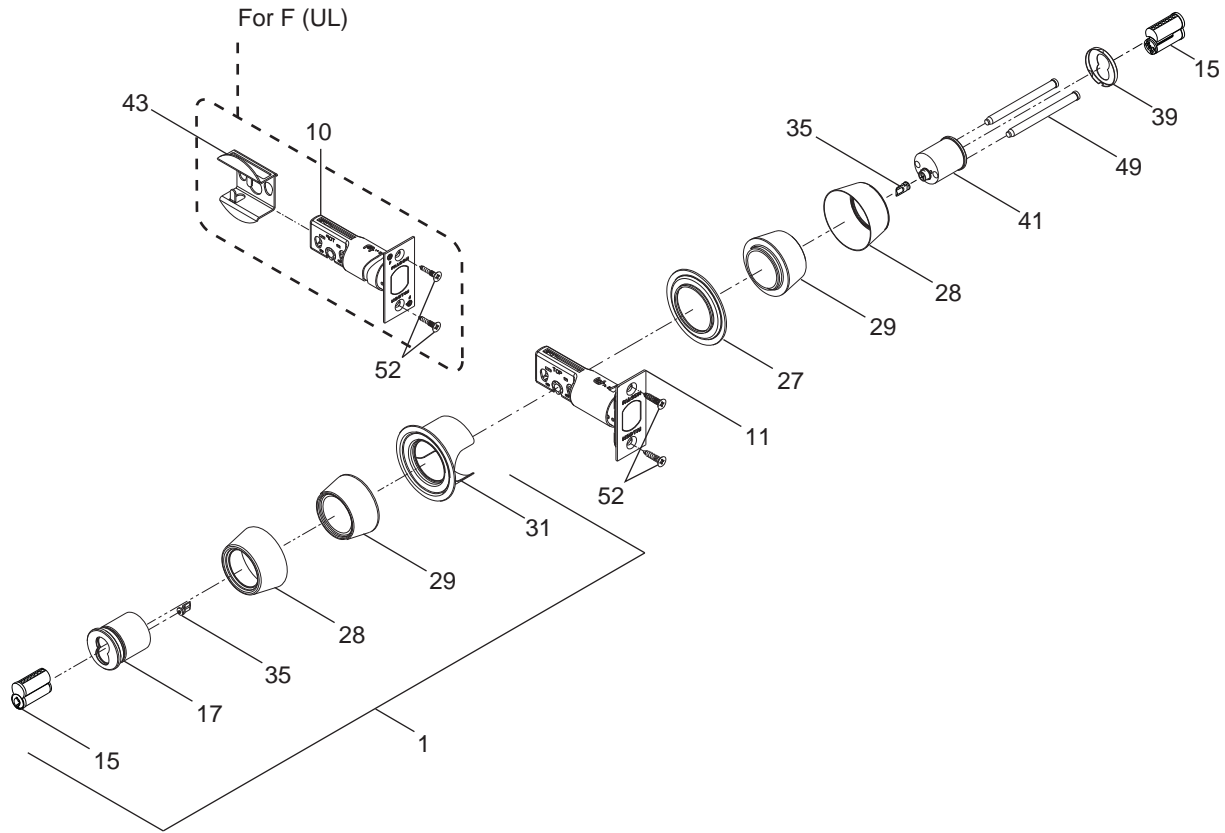


Call Out Number	Description	Part Number
1	Outside Housing Assy (G only)	SFIC
3	Outside Housing Assy (P only)	Q500-076
7	Mounting Plate	B600-018
10	Fire-Rated Bolt (F only)	*
11	Regular Bolt	Q330-256
15	SFIC Cylinder	C607
17	Outside Cylinder Housing Assy	B610-204
18	Outside Cylinder Housing Assy	Q500-009
20	5 Pin Cylinder Assy	Q500-066
26	Blank Rose	B600-020

Call Out Number	Description	Part Number
28	Outside Rose	36-086
29	Insert Ring	B520-541
30	Cylinder Retaining Screw (2)	B300-108
31	Adapter Shield	B520-650
32	Anti-Pry Shield	B520-649
34	Driver Bar	B220-032
43	Fire Cup (F only)	*
46	Screw, Mounting (2)	B600-100
52	Screw, Deadbolt (2)	C603-897
53	Screw, Trim (2)	B600-066

* Not for sale as individual parts.

**D131G (SFIC)
Double Cylinder**

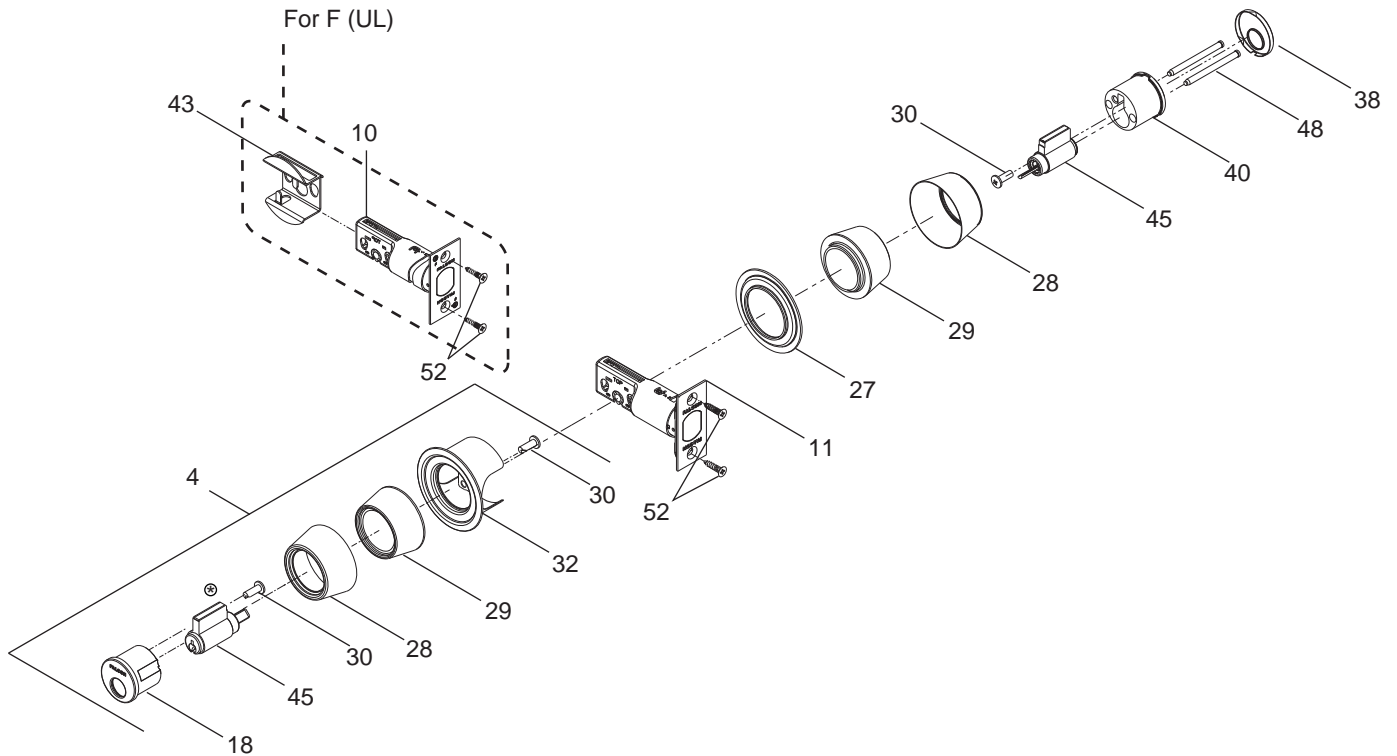


Call Out Number	Description	Part Number
1	Outside Housing Assy (G only)	SFIC
10	Fire-Rated Bolt (F only)	*
11	Regular Bolt	Q330-256
15	SFIC Cylinder (2)	C607
17	Outside Cylinder Housing Assy	B610-204
27	Ring, 2-1/8" Bore	38-031
28	Outside Rose (2)	36-086
29	Insert Ring (2)	B520-541

Call Out Number	Description	Part Number
31	Adapter Shield	B520-650
35	Driver Bar (2)	B202-580
39	Snap-On Face Plate, Inside	B610-014
41	Inside Cylinder Housing	B610-281
43	Fire Cup (F only)	*
49	Screw, Mounting (2)	B600-053
52	Screw, Deadbolt (2)	C603-897

* Not for sale as individual parts.

D131P
Double Cylinder



© Cylinder Q500-072 is not included in assembly #4

Call Out Number	Description	Part Number
4	Outside Housing Assy (P only)	Q500-020
10	Fire-Rated Bolt (F only)	*
11	Regular Bolt	Q330-256
18	Cylinder Housing Assy	Q500-009
20	5 Pin Cylinder Assy	Q500-066
27	Ring, 2-1/8" Bore	38-031
28	Outside Rose (2)	36-086
29	Insert Ring (2)	B520-541

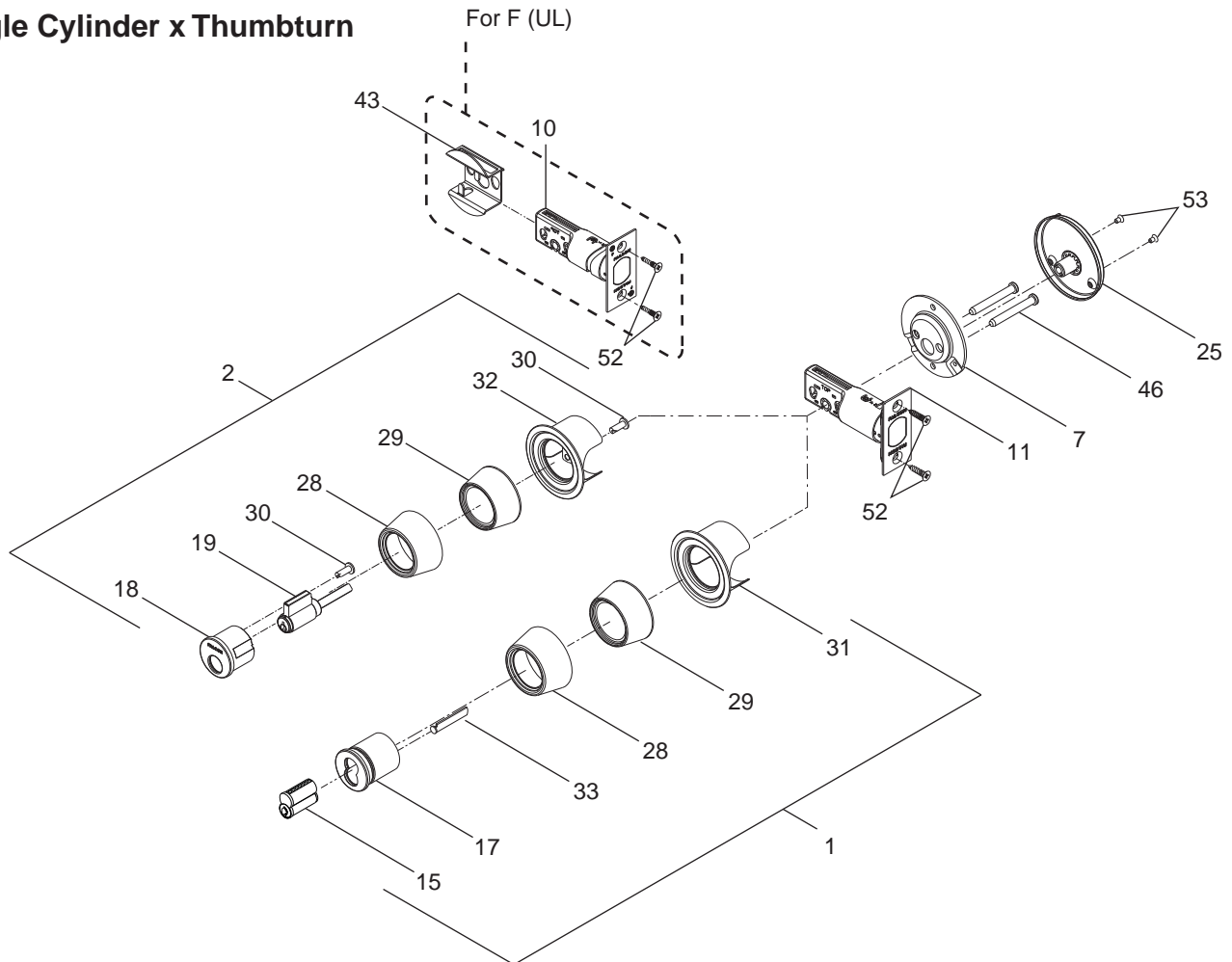
Call Out Number	Description	Part Number
30	Cylinder Retaining Screw (3)	B300-108
32	Anti-Pry Shield	B520-649
38	Snap-On Face Plate, Inside	61-511
40	Inside Cylinder Housing	B600-090
43	Fire Cup (F only)	*
45	Cylinder (2)	Q500-072
48	Screw, Mounting (2)	B600-047
52	Screw, Deadbolt (2)	C603-897

* Not for sale as individual parts.

D141G (SFIC)

D141P

Single Cylinder x Thumbturn



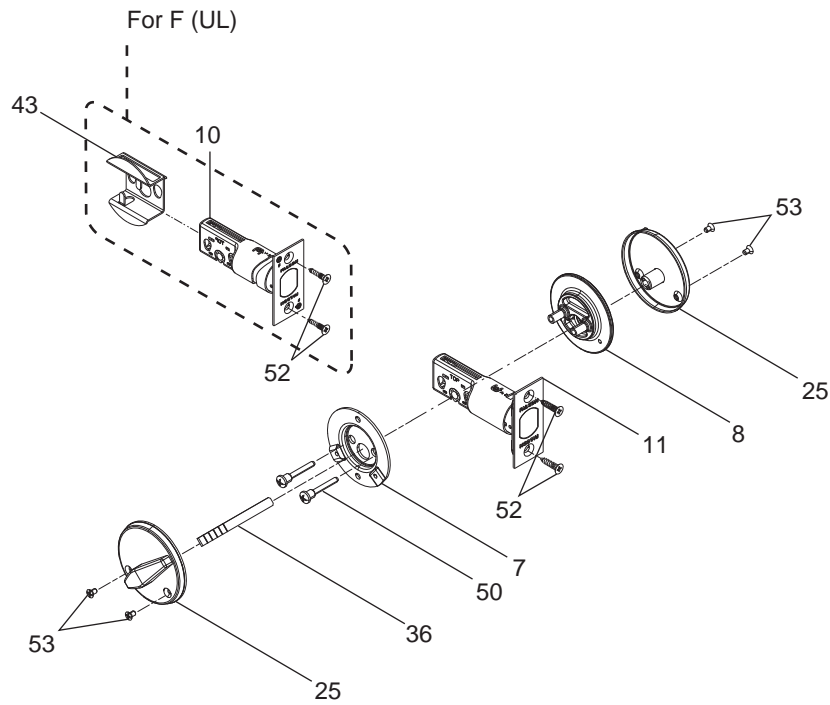
Call Out Number	Description	Part Number
1	Outside Housing Assy (G only)	SFIC
2	Outside Housing Assy (P only)	Q500-074
7	Mounting Plate	B600-018
10	Fire-Rated Bolt (F only)	*
11	Regular Bolt	Q330-256
15	SFIC Cylinder	C607
17	Outside Cylinder Housing Assy	B610-204
18	Cylinder Housing Assy	Q500-009
19	5 Pin Cylinder Assy	Q500-064
25	Thumbturn Assy	B302-041

Call Out Number	Description	Part Number
29	Insert Ring	B520-541
30	Cylinder Retaining Screw (2)	B300-108
31	Adapter Shield	B520-650
32	Anti-Pry Shield	B520-649
33	Driver Bar	B202-957
43	Fire Cup (F only)	*
46	Screw, Mounting (2)	B600-100
52	Screw, Deadbolt (2)	C603-897
53	Screw, Trim (2)	B600-066

* Not for sale as individual parts.

D151F

Thumbturn x Thumbturn

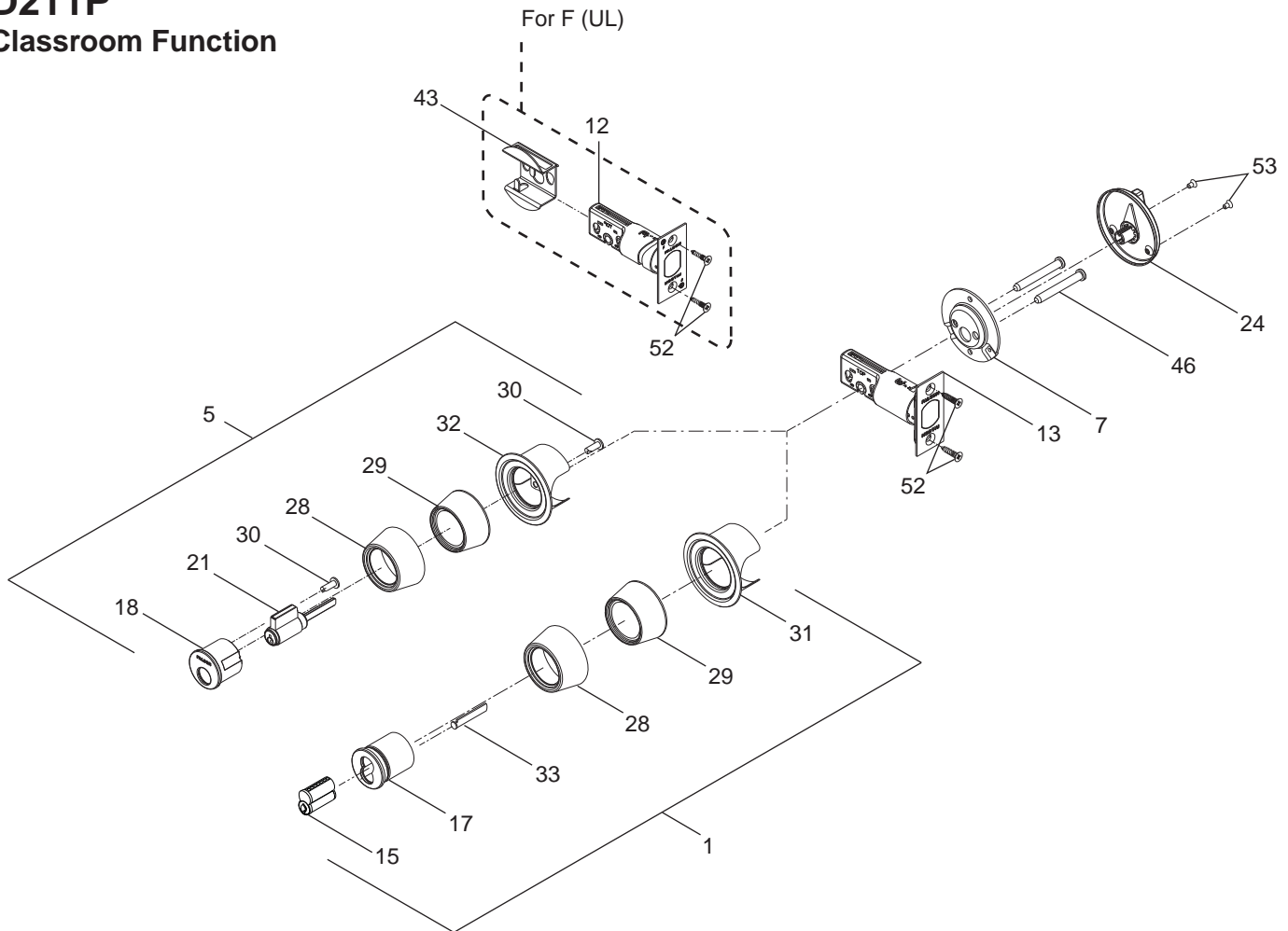


Call Out Number	Description	Part Number
7	Mounting Plate	B600-018
8	Mounting Plate, Outside	Q630-124
10	Fire-Rated Bolt (F only)	*
11	Regular Bolt	Q330-256
25	Thumbturn Assy (2)	B302-041

Call Out Number	Description	Part Number
36	Driver Bar	B520-653
43	Fire Cup (F only)	*
50	Screw, Mounting (2)	B520-662
52	Screw, Deadbolt (2)	C603-897
53	Screw, Trim (4)	B600-066

* Not for sale as individual parts.

**D211G (SFIC)
D211P
Classroom Function**



Call Out Number	Description	Part Number
1	Outside Housing Assembly	SFIC
5	Outside Housing Assy (P only)	Q500-077
7	Mounting Plate	B600-018
12	Fire-Rated Bolt (F only)	*
13	Regular Bolt	Q330-253
15	SFIC Cylinder	C607
17	Outside Cylinder Housing Assy	B610-204
18	Cylinder Housing Assy	Q500-009
21	5 Pin Cylinder Assy	Q500-067
24	Thumbturn Assy, Classroom	B302-045
28	Outside Rose	36-086

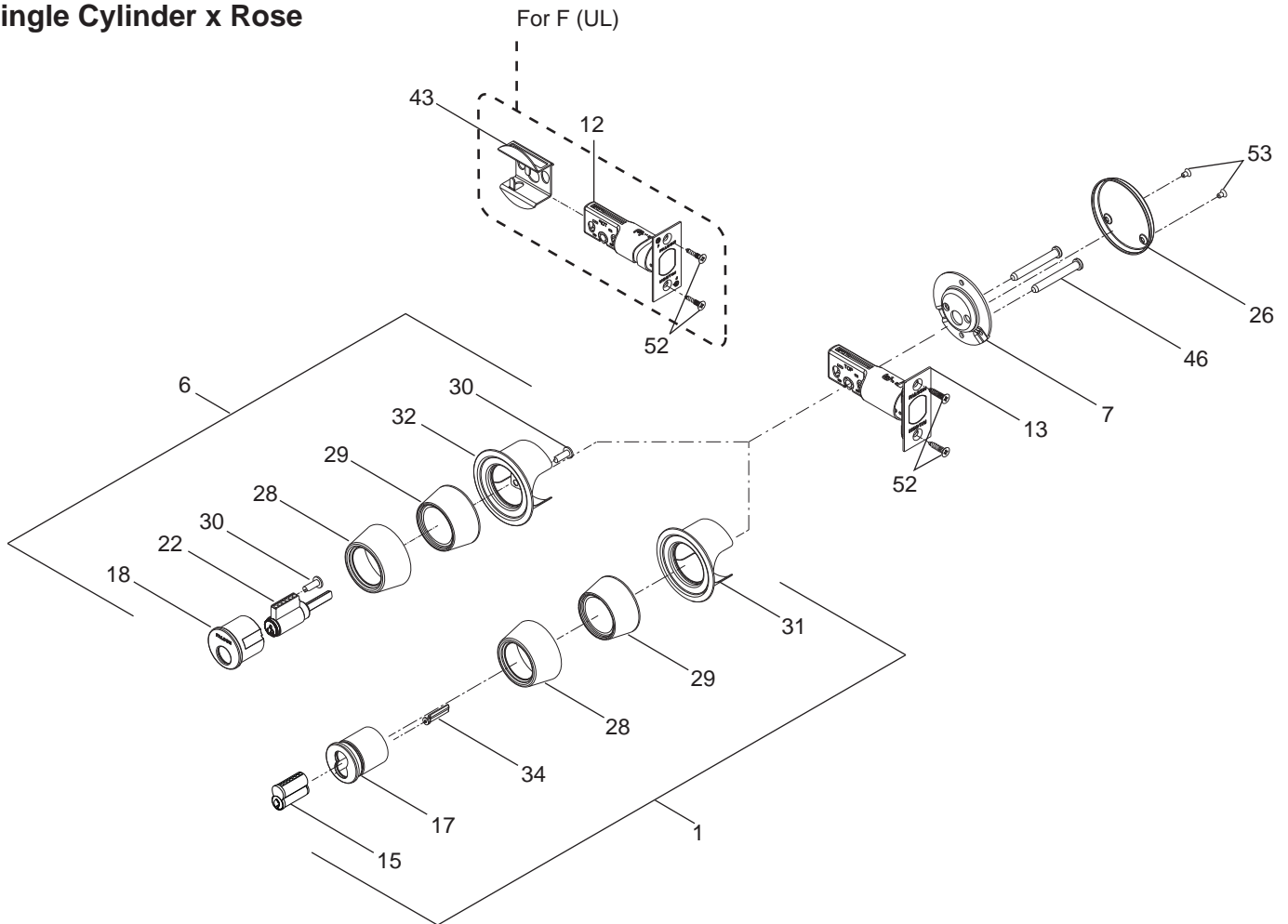
Call Out Number	Description	Part Number
29	Insert Ring	B520-541
30	Cylinder Retaining Screw (2)	B300-108
31	Adapter Shield	B520-650
32	Anti-Pry Shield	B520-649
33	Driver Bar	B202-957
43	Fire Cup (F only)	*
46	Screw, Mounting (2)	B600-100
52	Screw, Deadbolt (2)	C603-897
53	Screw, Trim (2)	B600-066

* Not for sale as individual parts.

D221G (SFIC)

D221P

Single Cylinder x Rose

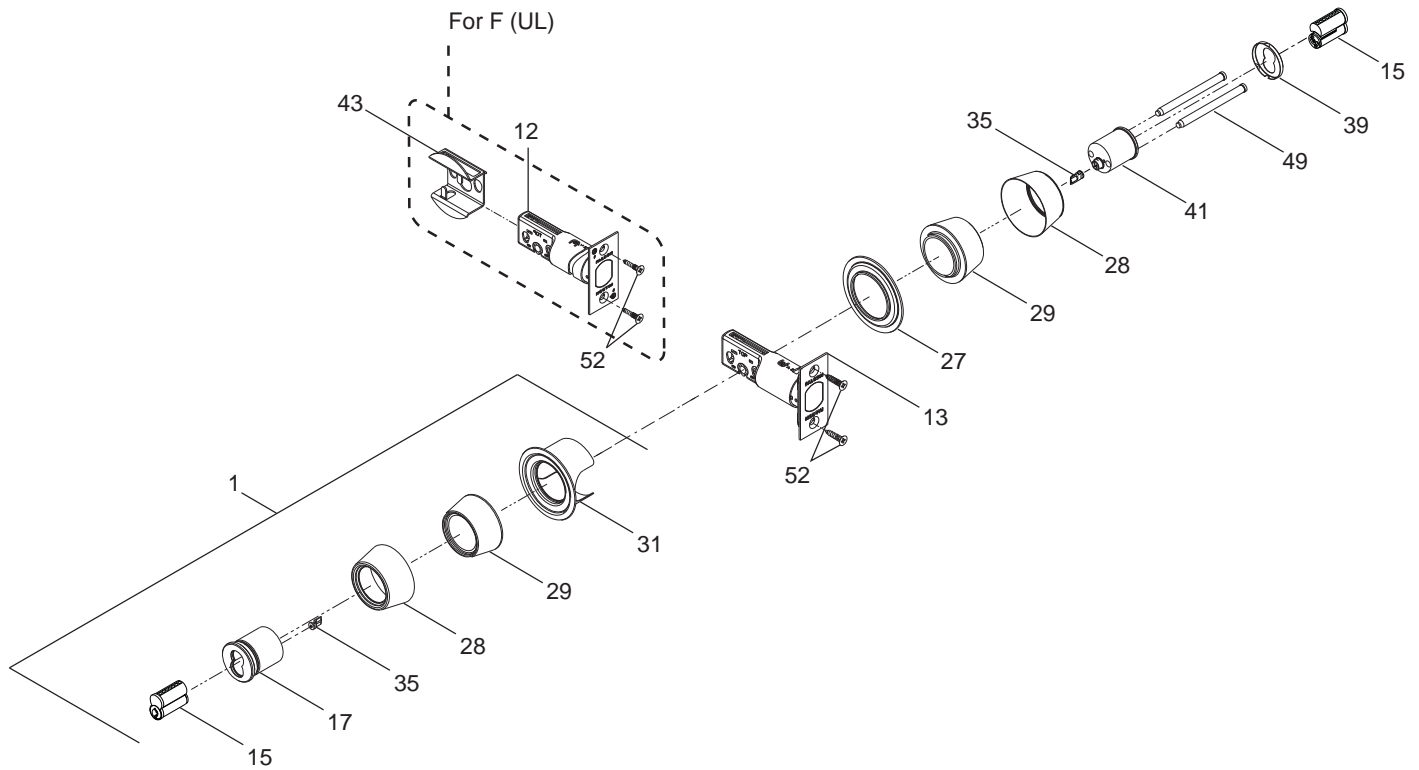


Call Out Number	Description	Part Number
1	Outside Housing Assy	SFIC
6	Outside Housing Assy (F only)	Q500-079
7	Mounting Plate	B600-018
12	Fire-Rated Bolt (F only)	*
13	Regular Bolt	Q330-253
15	SFIC Cylinder	C607
17	Outside Cylinder Housing Assy	B610-204
18	Cylinder Housing Assy	Q500-009
22	5 Pin Cylinder Assy	Q500-069
26	Blank Rose	B600-020

Call Out Number	Description	Part Number
28	Outside Rose	36-086
29	Insert Ring	B520-541
30	Cylinder Retaining Screw (2)	B300-108
31	Adapter Shield	B520-650
32	Anti-Pry Shield	B520-649
34	Driver Bar	B220-032
43	Fire Cup (F only)	*
46	Screw, Mounting (2)	B600-100
52	Screw, Deadbolt (2)	C603-897
53	Screw, Trim (2)	B600-066

* Not for sale as individual parts.

D231G
Double Cylinder

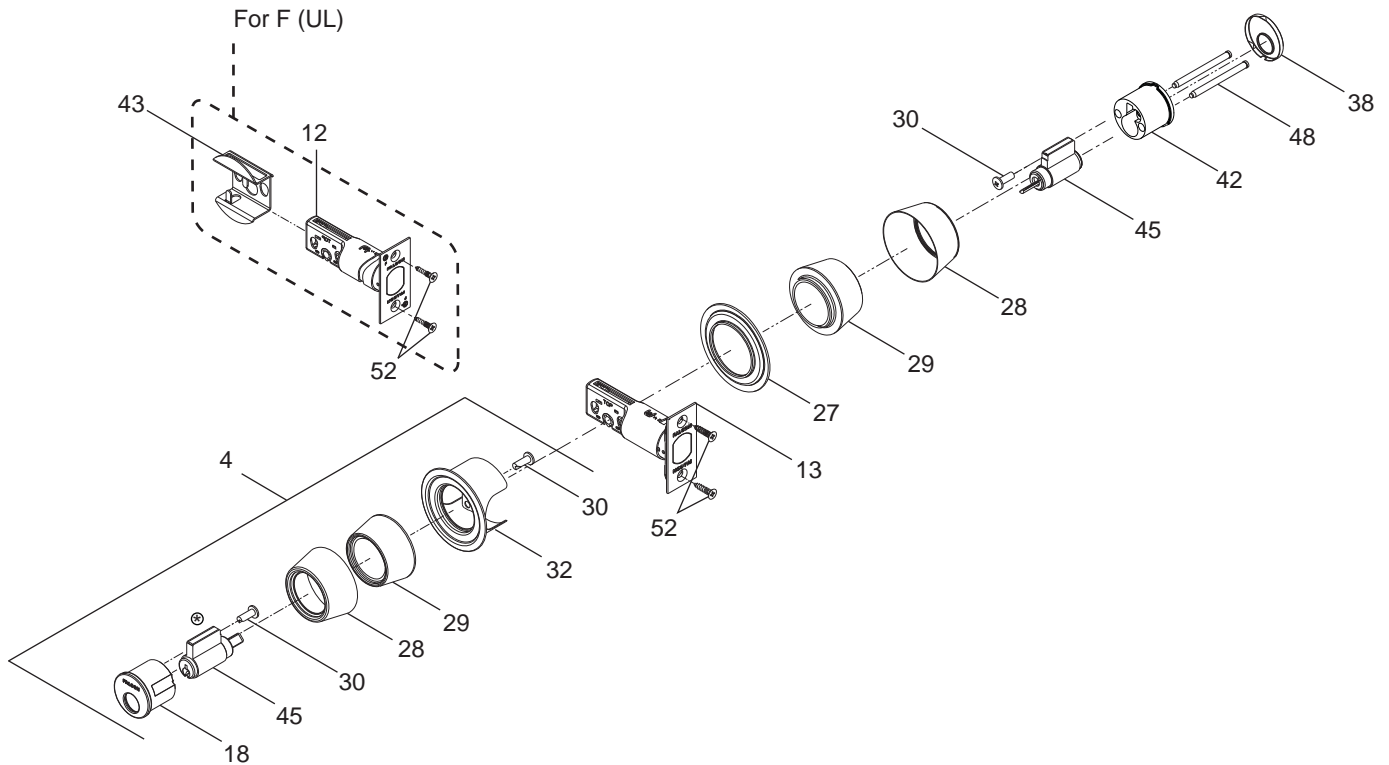


Call Out Number	Description	Part Number
1	Outside Housing Assy	SFIC
12	Fire-Rated Bolt (F only)	*
13	Regular Bolt	Q330-253
15	SFIC Cylinder (2)	C607
17	Outside Cylinder Housing Assy	B610-204
27	Ring, 2-1/8" Bore	38-031
28	Outside Rose	36-086
29	Insert Ring	B520-541

Call Out Number	Description	Part Number
31	Adapter Shield	B520-650
35	Driver Bar (2)	B202-580
39	Snap On Face Plate, Inside	B610-014
41	Inside Cylinder Housing	B610-281
43	Fire Cup (F only)	*
49	Screw, Mounting (2)	B600-053
52	Screw, Deadbolt (2)	C603-897

* Not for sale as individual parts.

D231P
Double Cylinder

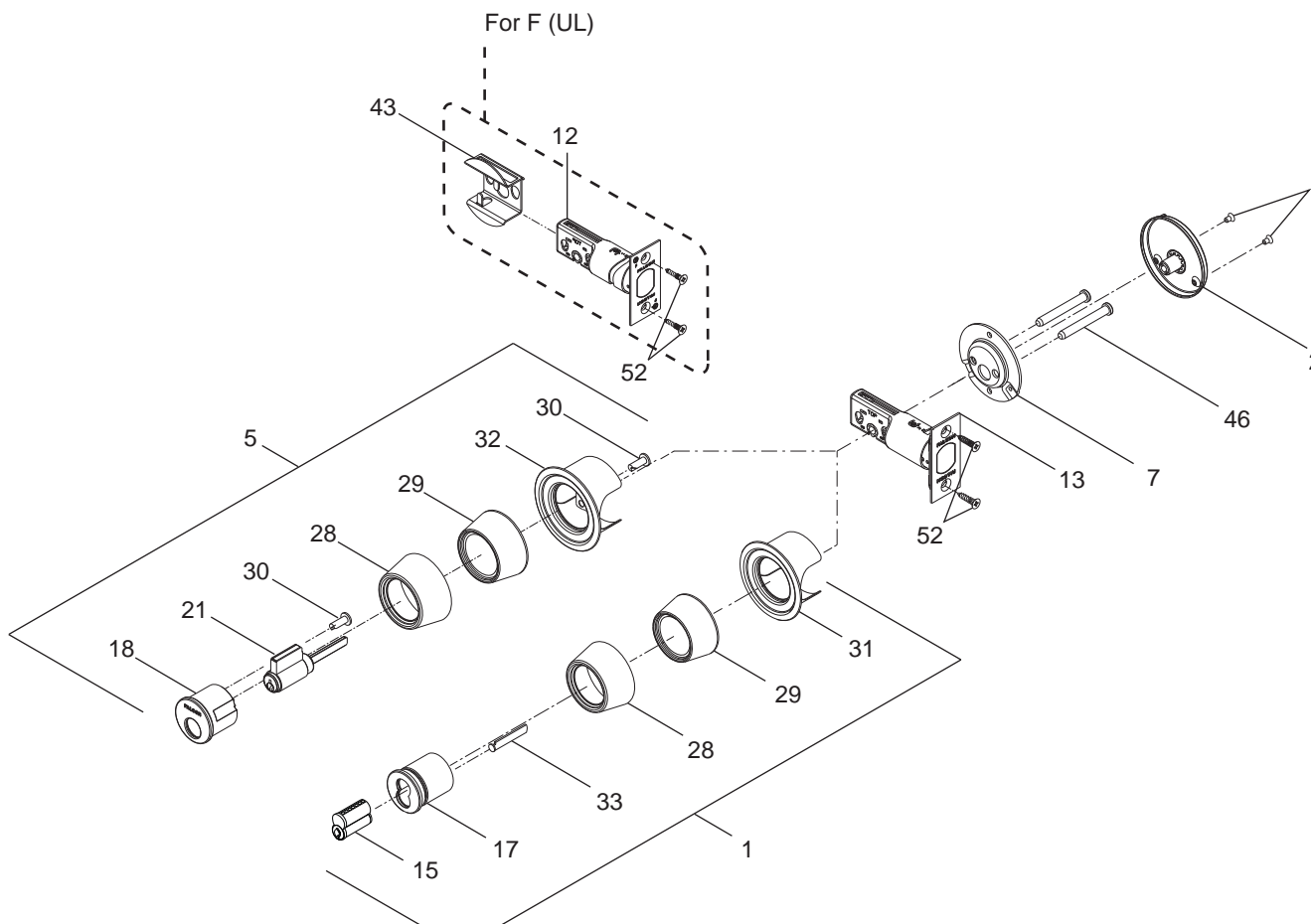


©Cylinder Q500-072 is not included in assembly #4

Call Out Number	Description	Part Number
4	Outside Housing Assy	Q500-020
12	Fire-Rated Bolt (F only)	*
13	Regular Bolt	Q330-253
18	Outside Cylinder Housing Assy	Q500-009
27	Ring, 2-1/8" Bore	38-031
28	Outside Rose (2)	36-086
29	Insert Ring (2)	B520-541

* Not for sale as individual parts.

Call Out Number	Description	Part Number
30	Cylinder Retaining Screw (3)	B300-108
32	Anti-Pry Shield	B520-649
38	Snap On Face Plate, Inside	61-511
42	Inside Cylinder Housing	B520-648
43	Fire Cup (F only)	*
45	Cylinder (2)	Q500-072
48	Screw, Mounting (2)	B600-047
52	Screw, Deadbolt (2)	C603-897

D241G (SFIC)**D241P****Single Cylinder x Thumbturn**

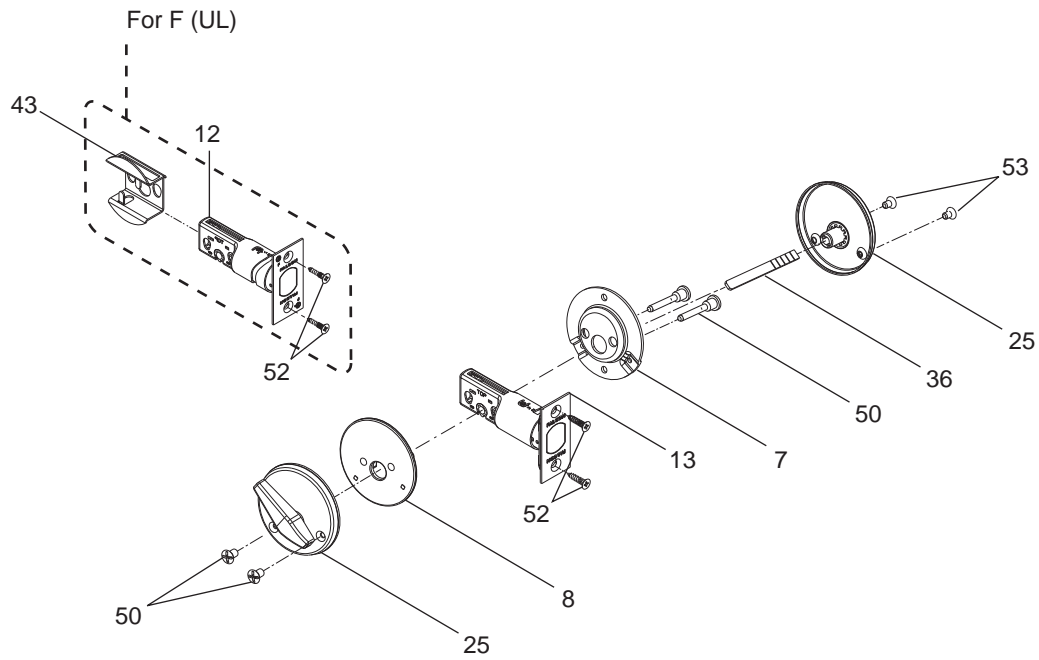
Call Out Number	Description	Part Number
1	Outside Housing Assy (G only)	SFIC
5	Outside Housing Assy (P only)	Q500-077
7	Mounting Plate	B600-018
12	Fire-Rated Bolt (F only)	*
13	Regular Bolt	Q330-253
15	SFIC Cylinder	C607
17	Outside Cylinder Housing Assy	B610-204
18	Cylinder Housing Assy	Q500-009
21	5 Pin Cylinder Assy	Q500-067
25	Thumbturn Assy	B302-041

Call Out Number	Description	Part Number
28	Outside Rose	36-086
29	Insert Ring	B520-541
30	Cylinder Retaining Screw (2)	B300-108
31	Adapter Shield	B520-650
32	Anti-Pry Shield	B520-649
33	Driver Bar	B202-957
43	Fire Cup (F only)	*
46	Screw, Mounting (2)	B600-100
52	Screw, Deadbolt (2)	C603-897
53	Screw, Trim (2)	B600-066

* Not for sale as individual parts.

D251

Thumbturn x Thumbturn



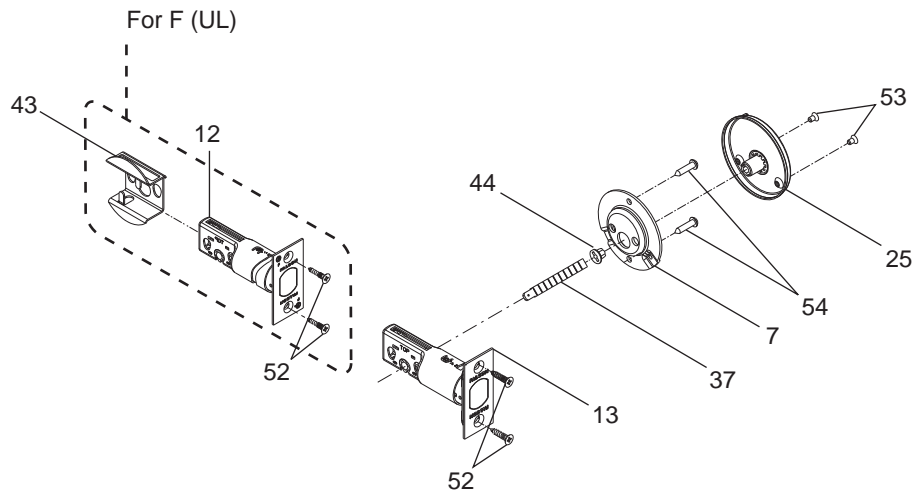
Call Out Number	Description	Part Number
7	Mounting Plate	B600-018
8	Mounting Plate, Outside	Q630-124
12	Fire-Rated Bolt (F only)	*
13	Regular Bolt	Q330-253
25	Thumbturn Assy (2)	B302-041

Call Out Number	Description	Part Number
36	Driver Bar	B520-653
43	Fire Cup (F only)	*
50	Screw, Mounting (2)	B520-662
52	Screw, Deadbolt (2)	C603-897
53	Screw, Trim (4)	B600-066

* Not for sale as individual parts.

D261

Thumbturn, Inside Only



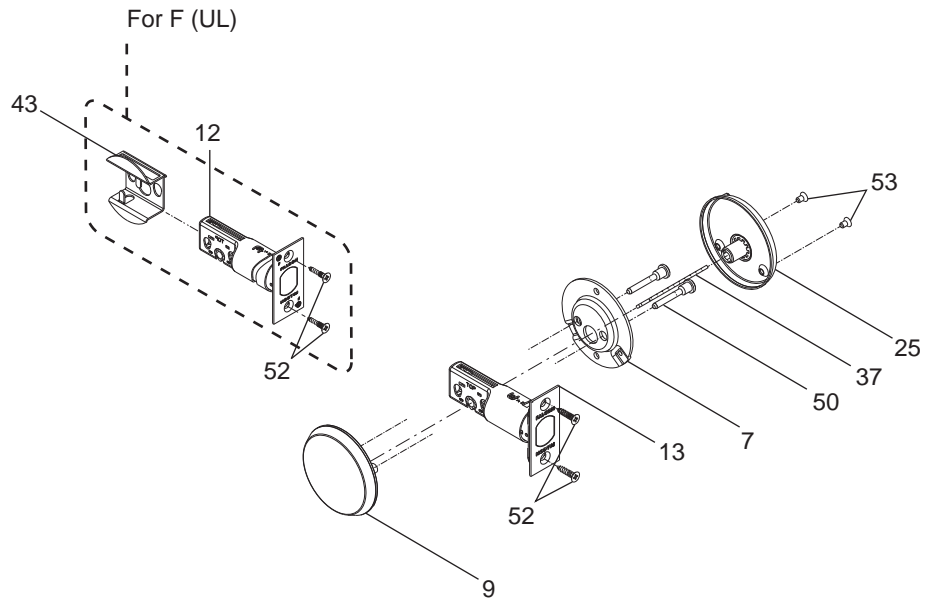
Call Out Number	Description	Part Number
7	Mounting Plate	B600-018
12	Fire-Rated Bolt	*
13	Regular Bolt	Q330-253
25	Thumbturn Assy	B302-041
37	Driver Bar	B600-041

Call Out Number	Description	Part Number
43	Fire Cup (F only)	*
44	Retainer, Driver Bar	B520-679
52	Screw, Deadbolt (2)	C603-897
53	Screw, Trim (2)	B600-066
54	Screw, Wood (2)	F506-359

* Not for sale as individual parts.

D261M

Thumbturn, Inside x Rose



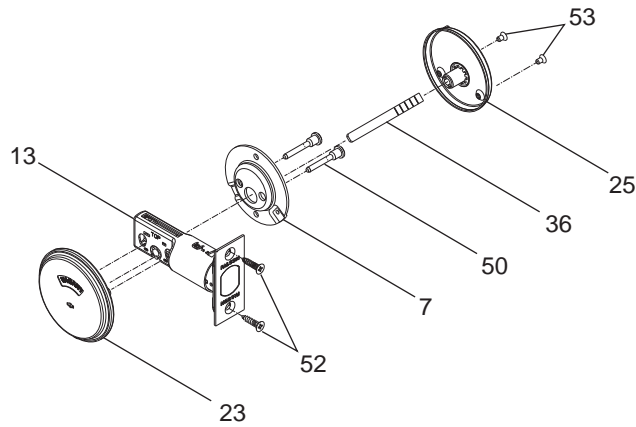
Call Out Number	Description	Part Number
7	Mounting Plate	B600-018
9	Mounting Plate, Blank	B600-098
12	Fire-Rated Bolt (F only)	*
13	Regular Bolt	Q330-253
25	Thumbturn Assy	B302-041

Call Out Number	Description	Part Number
37	Driver Bar	B600-041
43	Fire Cup (F only)	*
50	Screw, Mounting (2)	B520-662
52	Screw, Deadbolt (2)	C603-897
53	Screw, Trim (2)	B600-066

* Not for sale as individual parts.

D271

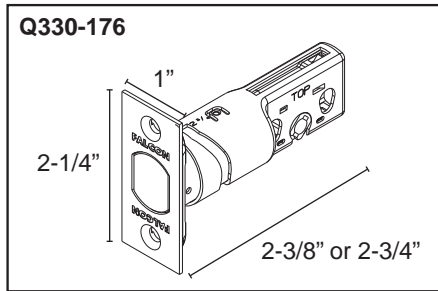
Thumbturn, Inside x Occupancy Indicator



Call Out Number	Description	Part Number
7	Mounting Plate	B600-018
13	Regular Bolt	Q330-253
23	Outside Assy, Indicator Lock	B302-044
25	Thumbturn Assy	B302-041

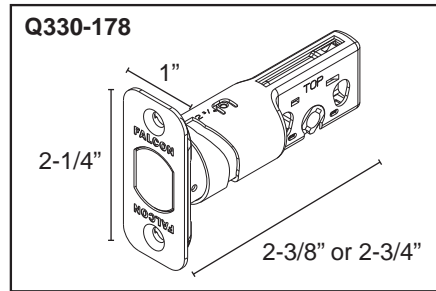
Call Out Number	Description	Part Number
36	Driver Bar	B520-653
50	Screw, Mounting (2)	B520-662
52	Screw, Deadbolt (2)	C603-897
53	Screw, Trim (2)	B600-066

Square Corner (100 Series)



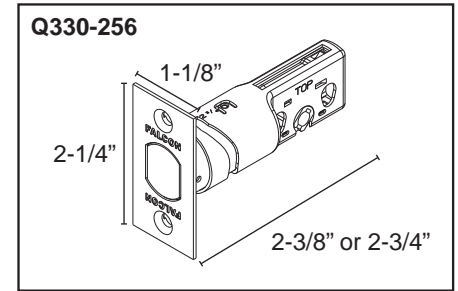
Q330-176
Housing Diameter:
 2-3/8" or 2-3/4" Universal
Description:
 Square corner, 1" x 2-1/4" faceplate
Specify finish

Round Corner (100 Series)



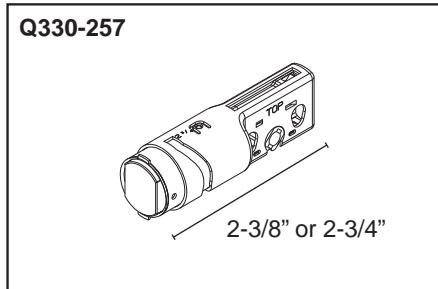
Q330-178
Housing Diameter:
 2-3/8" or 2-3/4" Universal
Description:
 1/4" radius corner, 1" x 2-1/4" faceplate
Specify finish

Square Corner (100 Series)



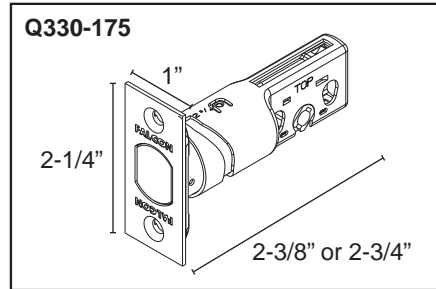
Q330-256
Housing Diameter:
 2-3/8" or 2-3/4" Universal
Description:
 Square corner, 1-1/8" x 2-1/4" faceplate
Specify finish

Drive-In (100 Series)



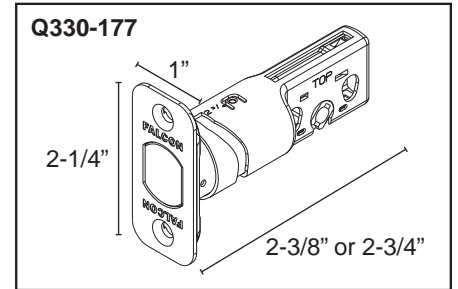
Q330-257
Housing Diameter:
 2-3/8" or 2-3/4" Universal
Description:
 1" circular drive-in, 626 only

Square Corner (200 Series)



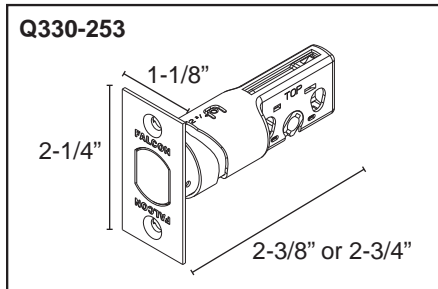
Q330-175
Housing Diameter:
 2-3/8" or 2-3/4" Universal
Description:
 Square corner, 1" x 2-1/4" faceplate
Specify finish

Round Corner (200 Series)



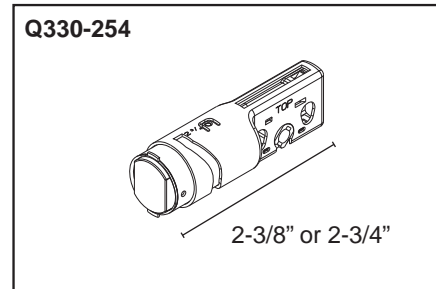
Q330-177
Housing Diameter:
 2-3/8" or 2-3/4" Universal
Description:
 1/4" radius corner, 1" x 2-1/4" faceplate
Specify finish

Square Corner (200 Series)



Q330-253
Housing Diameter:
 2-3/8" or 2-3/4" Universal
Description:
 Square corner, 1-1/8" x 2-1/4" faceplate
Specify finish

Drive-In (200 Series)



Q330-254
Housing Diameter:
 2-3/8" or 2-3/4" Universal
Description:
 1" circular drive-in, 626 only

**Drive-In Thimble Strike
10-064**

Lip Length:
1"

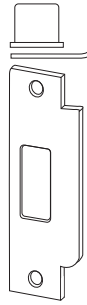
Size:
1-3/16" dia.



**ANSI, with box
10-087**

Lip Length:
1-1/8"

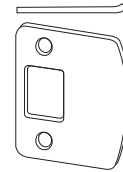
Size:
1-1/4" x 4-7/8"



**Full Lip, 1/4" Radius Corner, no box
10-092**

Lip Length:
1-5/16"

Size:
1-5/8" x 2-1/4"



**Square Corner, standard, with box
10-094**

Lip Length:
n/a

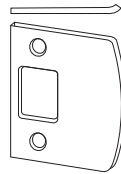
Size:
1-1/8" x 2-3/4"



**Full Lip, square corner, no box
10-095**

Lip Length:
n/a

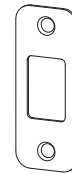
Size:
1-5/8" x 2-1/4"



**1", 1/4" Round Corner
10-103**

Lip Length:
n/a

Size:
1" x 2-1/4"



**1-1/4", 1/4" Round Corner
10-104**

Lip Length:
n/a

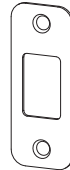
Size:
1-1/4" x 3-5/8"



**1-1/8", 1/4" Round Corner
10-108**

Lip Length:
n/a

Size:
1" x 2-1/4"



**1-1/8", 1/4" Dust Box
B520-283**

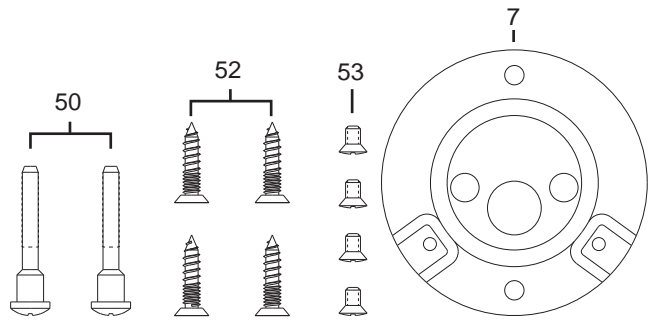
Lip Length:
n/a

Size:
1-1/8" x 2-1/4"



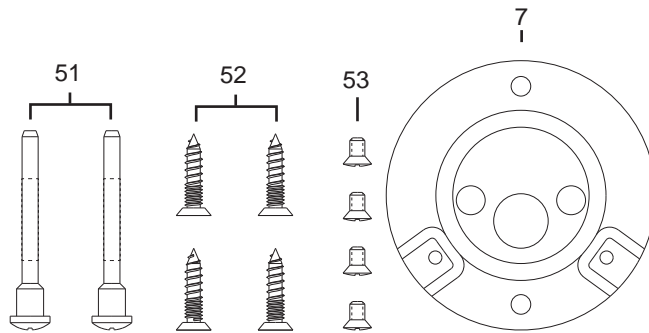
Accessory Bag 61-070

Call Out Number	Description	Part Number
7	Plate, Mounting	B600-018
50	Screw, Mounting	B520-662
52	Screw, Deadbolt	C603-897
53	Screw, Trim	B600-066
Door Range: 1 3/8" to 1 7/8"		



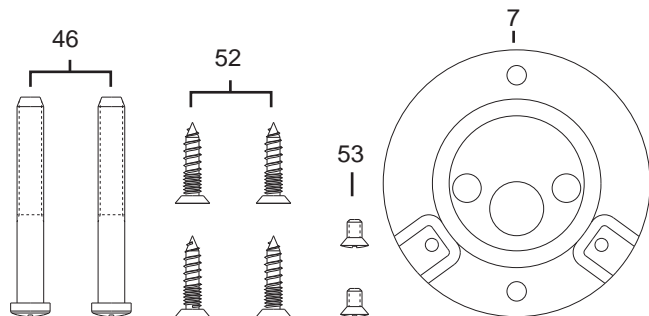
Accessory Bag 61-071

Call Out Number	Description	Part Number
7	Plate, Mounting	B600-018
51	Screw, Mounting	B520-663
52	Screw, Deadbolt	C603-897
53	Screw, Trim	B600-066
Door Range: 1 3/4" to 2"		



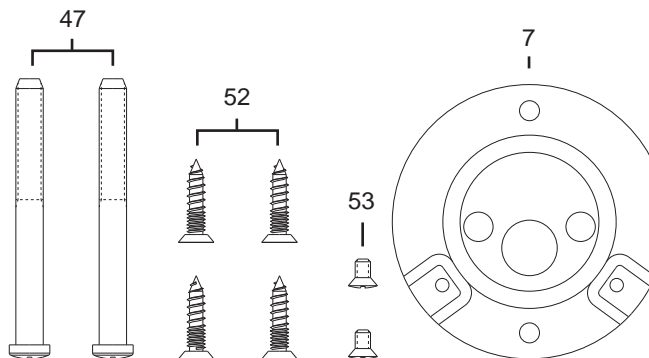
Accessory Bag 61-500

Call Out Number	Description	Part Number
7	Plate, Mounting	B600-018
46	Screw, Mounting	B600-100
52	Screw, Deadbolt	C603-897
53	Screw, Trim	B600-066
Door Range: 1 3/8" to 1 7/8"		



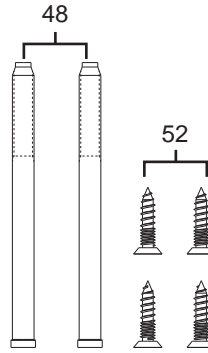
Accessory Bag 61-501

Call Out Number	Description	Part Number
7	Plate, Mounting	B600-018
47	Screw, Mounting	B600-101
52	Screw, Deadbolt	C603-897
53	Screw, Trim	B600-066
Door Range: >1 7/8" to 2 1/4"		



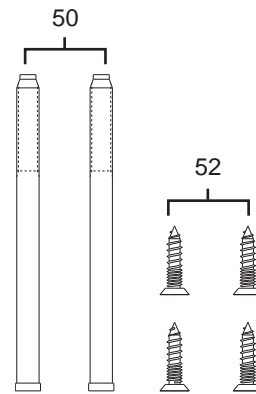
Accessory Bag 61-502

Call Out Number	Description	Part Number
48	Screw, Mounting	B600-047
52	Screw, Deadbolt	C603-897
Door Range: 1 $\frac{3}{8}$ " to 1 $\frac{7}{8}$ "		



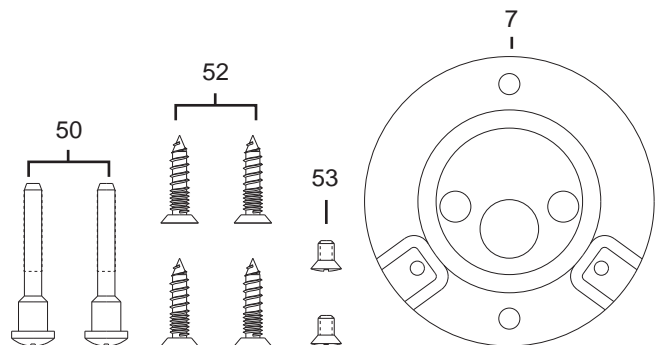
Accessory Bag 61-503

Call Out Number	Description	Part Number
50	Screw, Mounting	B520-662
52	Screw, Deadbolt	C603-897
Door Range: >1 $\frac{7}{8}$ " to 2 $\frac{1}{4}$ "		



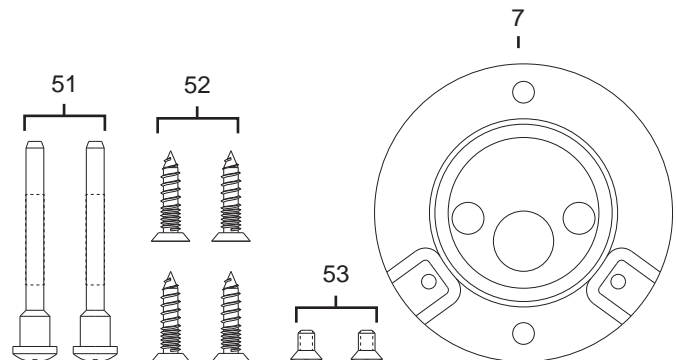
Accessory Bag 61-504

Call Out Number	Description	Part Number
7	Plate, Mounting	B600-018
50	Screw, Mounting	B520-662
52	Screw, Deadbolt	C603-897
53	Screw, Trim	B600-066
Door Range: 1 $\frac{3}{8}$ " to 1 $\frac{7}{8}$ "		



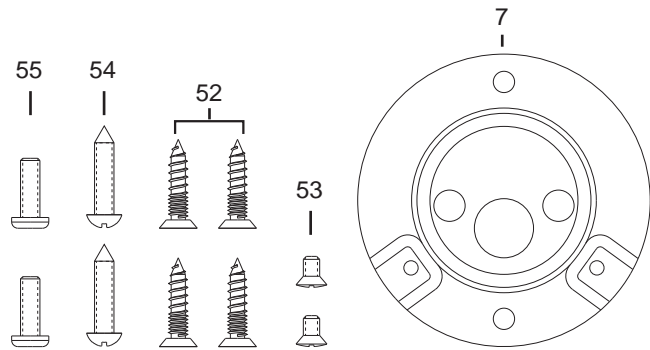
Accessory Bag 61-505

Call Out Number	Description	Part Number
7	Plate, Mounting	B600-018
51	Screw, Mounting	B520-663
52	Screw, Deadbolt	C603-897
53	Screw, Trim	B600-066
Door Range: >1 $\frac{7}{8}$ " to 2 $\frac{1}{4}$ "		



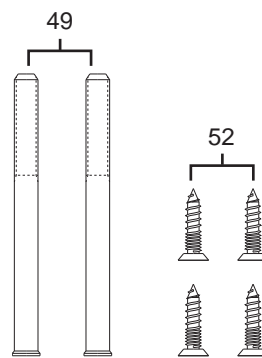
Accessory Bag 61-506

Call Out Number	Description	Part Number
7	Plate, Mounting	B600-018
52	Screw, Deadbolt	C603-897
53	Screw, Trim	B600-066
54	Screw, Wood	F506-359
55	Screw, Machine	B600-048
Door Range: 1 3/8" to 1 7/8"		



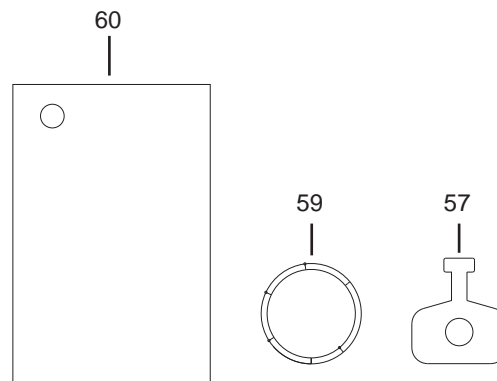
Accessory Bag 61-507

Call Out Number	Description	Part Number
49	Screw, Mounting	B600-053
52	Screw, Deadbolt	C603-897
Door Range: 1 3/4" to 2"		



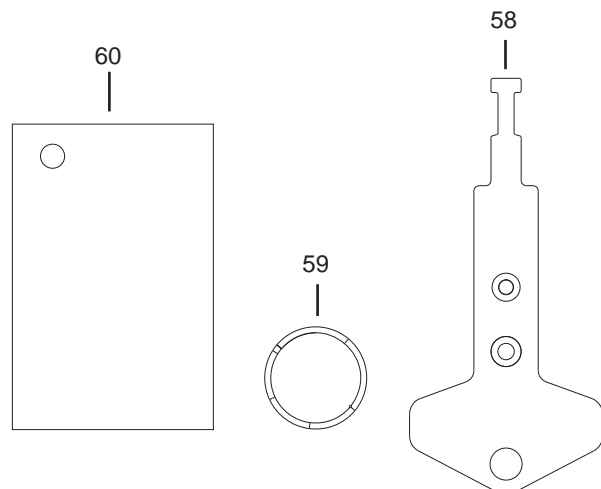
Emergency Key Pack 61-509

Call Out Number	Description	Part Number
57	Emergency Key, Small	009159
59	Ring, Key	C503-124
60	Emergency Key Tag	P515-768



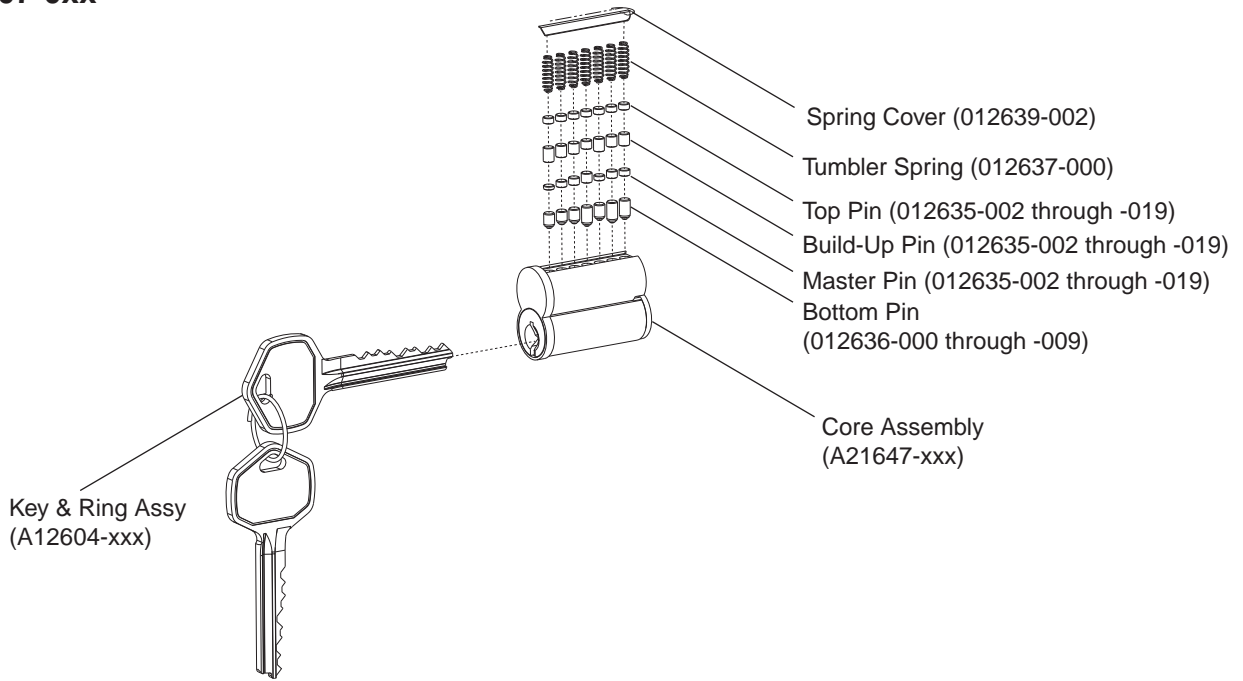
Emergency Key Pack 61-510

Call Out Number	Description	Part Number
58	Emergency Key, Large	009159-001
59	Ring, Key	C503-124
60	Emergency Key Tag	P515-768

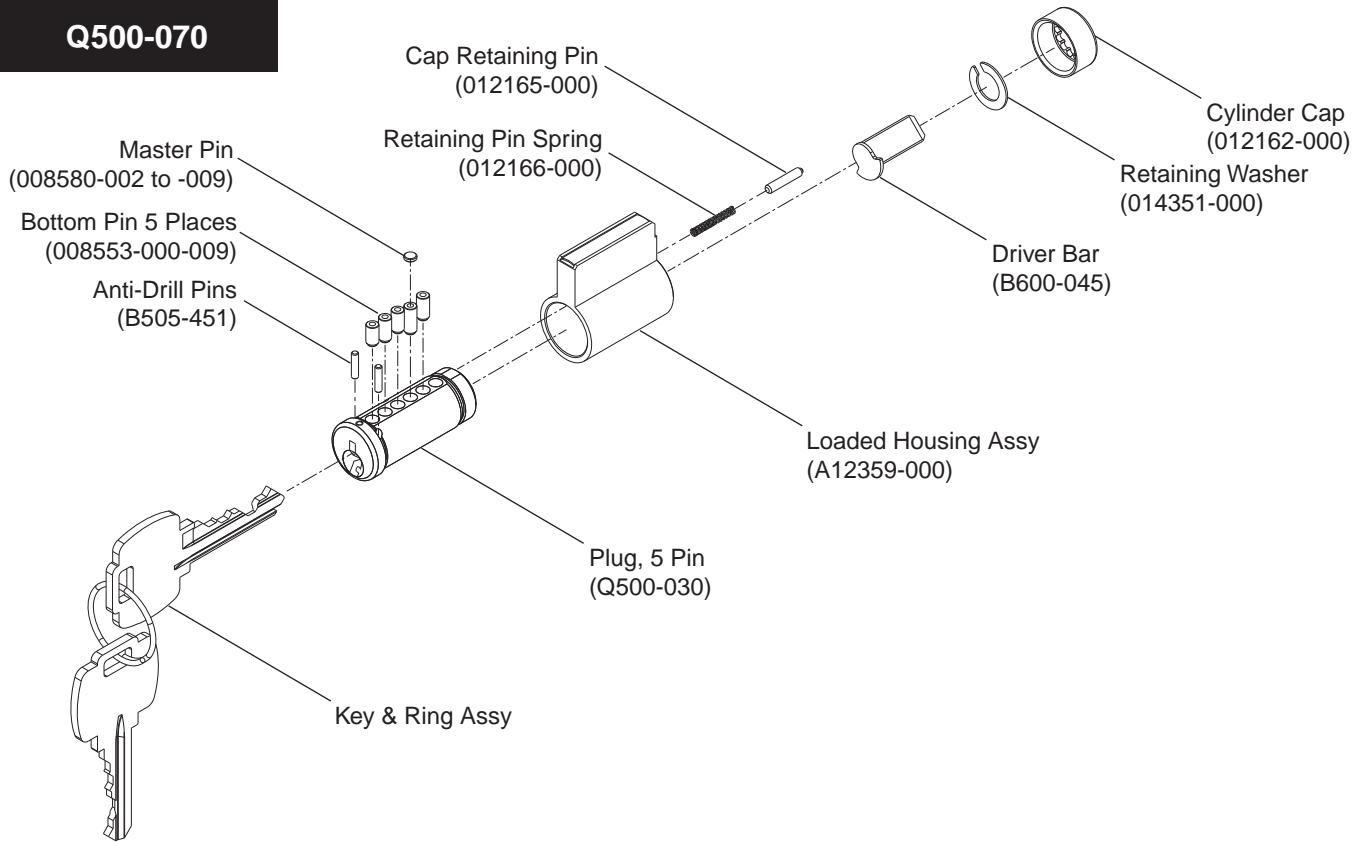


Screws					
Part Number	Specify Finish	Description		Application	
		Size	Type	Use	Door Thickness
Keyed, Single Conventional Cylinder					
B600-100		1/4"-28 x 1-15/16"	POH mach.	Mounting	1-3/8" - 1-3/4"
B600-101		1/4"-28 x 1-15/16"	POH mach.	Mounting	1-3/4" - 2-1/4"
B600-066	•	6-32 x 1/4"	PH mach.	Turn	-
B300-108		10-32 x 3/8"	PH mach.	Anti-pry shield	-
Keyed, Single SFIC Cylinder					
B600-100		1/4"-28 x 1-15/16"	POH mach.	Mounting	1-3/8" - 2-1/4"
B600-066	•	6-32 x 1/4"	PH mach.	Turn	-
Keyed, Double Conventional Cylinder					
B600-047		1/4"-28 x 3-13/16"	PH mach.	Mounting	1-3/8" - 1-3/4"
B600-078		1/4"-28 x 3-29/64"	PH mach.	Mounting	1-3/4" - 2-1/4"
B300-108		10-32 x 3/8"	PH mach.	Anti-pry shield	-
Keyed, Double SFIC Cylinder					
B600-053		1/4"-28 x 3-61/64"	PH mach.	Mounting	1-3/4" - 2-1/4"
B300-108		10-32 x 3/8"	PH mach.	Anti-pry shield	-
Keyless, D261					
B600-066	•	6-32 x 1/4"	PH mach.	Turn	-
B600-048		10-32 x 1/2"	PH mach.	Mounting plate	-
F506-359		#8 x 3/4"	RH wood	Mounting plate	-
Keyless, D261M, D271					
B520-662		10-32 x 1-3/4"	POH mach.	Mounting	1-3/8" - 1-3/4"
B520-663		10-32 x 1-3/4"	POH mach.	Mounting	1-3/4" - 2-1/4"
B600-066	•	6-32 x 1/4"	PH mach.	Turn	-
All Functions					
C603-897	•	#8 x 3/4"	PFH combo	Deadbolt & strike	-
J520-028		#8 x 2"	PFH wood	2" strike screw	-
R525-256		#12 x 3"	PFH wood	3" metal dust box	-

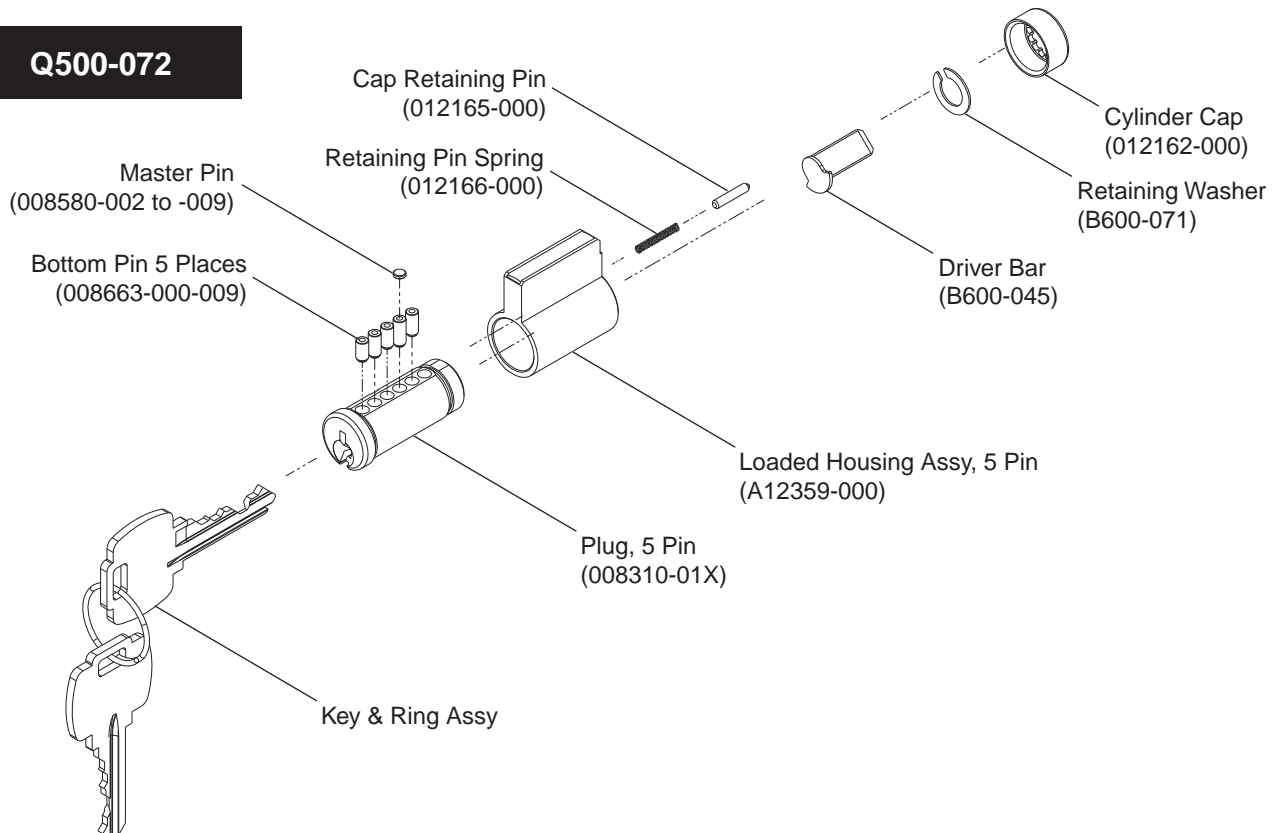
A21607-0xx

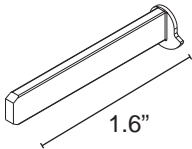
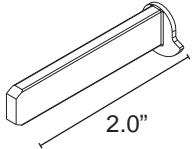
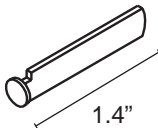
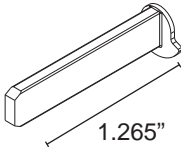
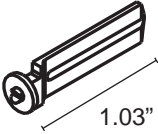
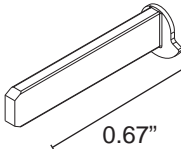
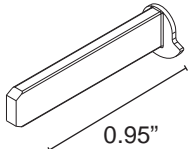

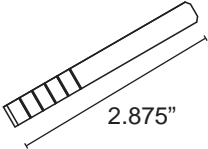
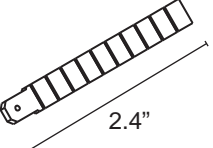


Q500-070



Q500-072



	Door Range: 1 $\frac{3}{8}$ " to 1 $\frac{7}{8}$ "	Door Range: >1 $\frac{7}{8}$ " to 2 $\frac{1}{4}$ "	SFIC (Door Range: <2")
D111/D211 D141/D241	<p>B520-651</p>  <p>1.6"</p>	<p>B520-652</p>  <p>2.0"</p>	<p>B202-957</p>  <p>1.4"</p>
D121/D221	<p>B520-667</p>  <p>1.265"</p>	NA	<p>B220-032</p>  <p>1.03"</p>
D131/D231	<p>B600-045</p>  <p>0.67"</p>	<p>B600-046</p>  <p>0.95"</p>	<p>B202-580</p>  <p>0.45"</p>
D251/D271	<p>B520-653</p>  <p>2.875"</p>	NA	NA
D261/D261M	<p>B600-041</p>  <p>2.4"</p>	NA	NA