



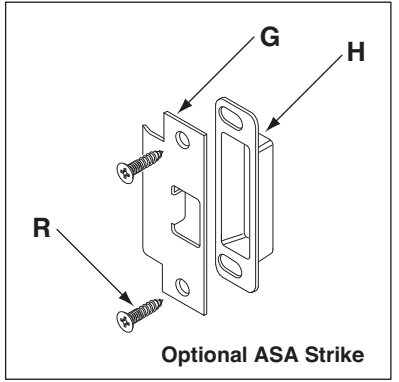
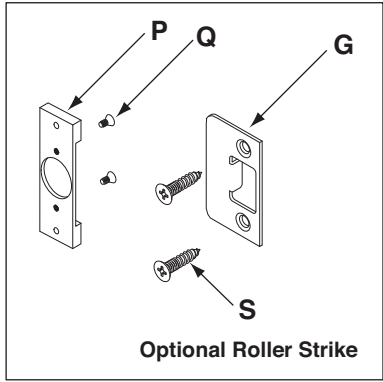
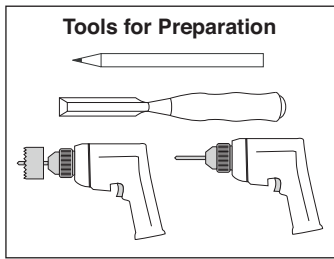
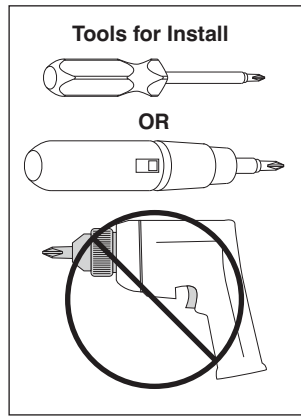
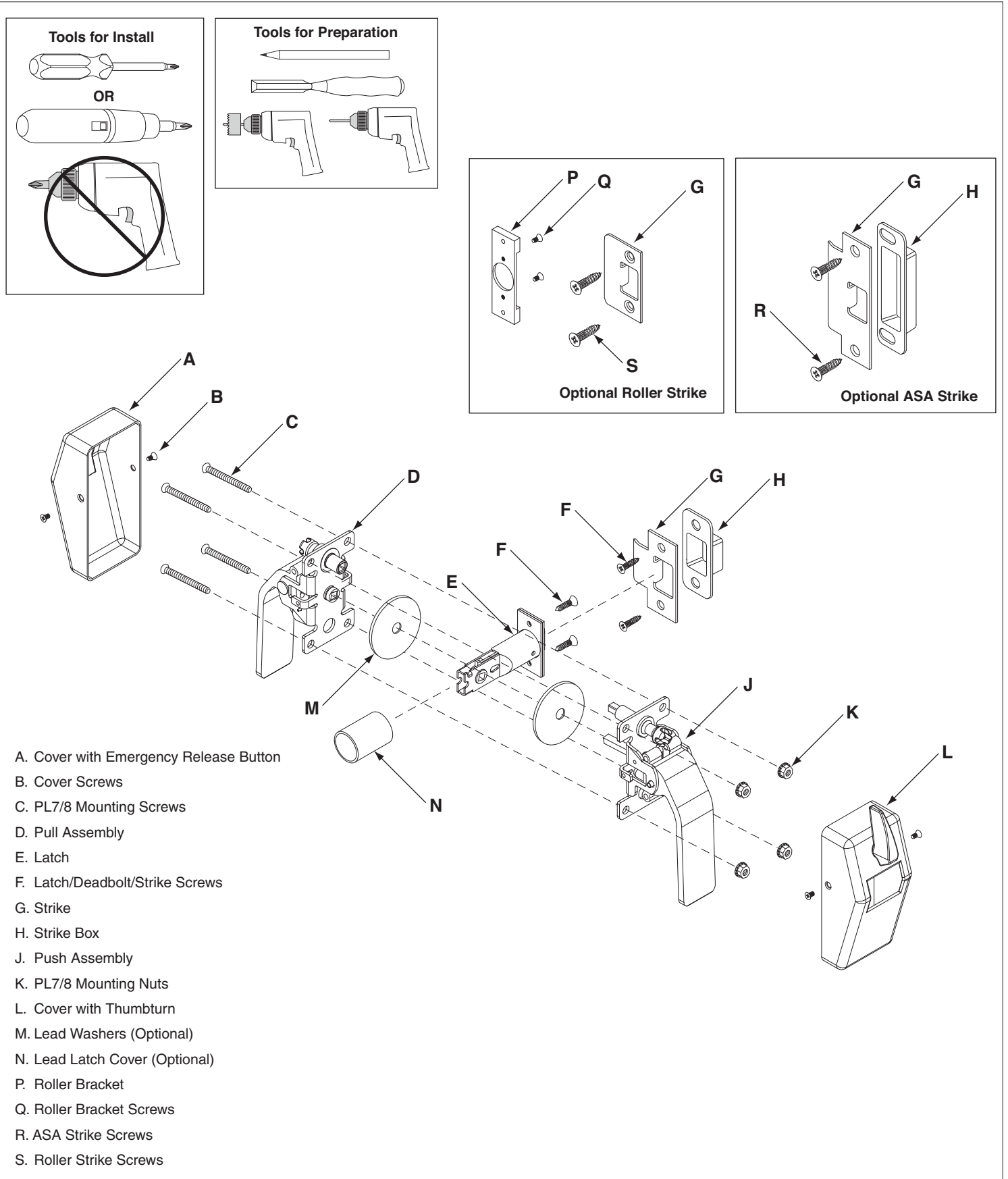
829696-00

PL7/PL8

GLYNN-JOHNSON

Privacy Latch

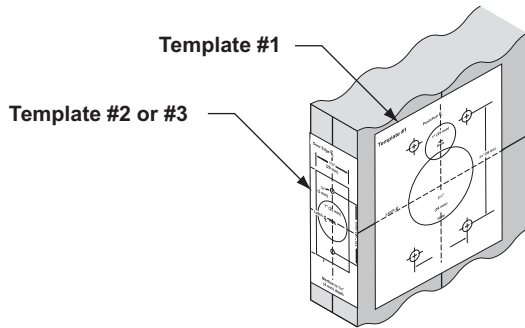
Installation Instructions



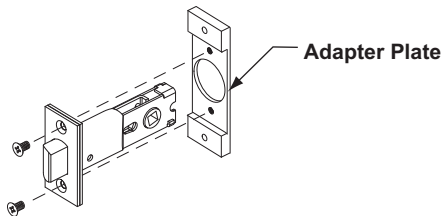
Install Privacy Latch

1 Use Templates from Back Page to Check Holes

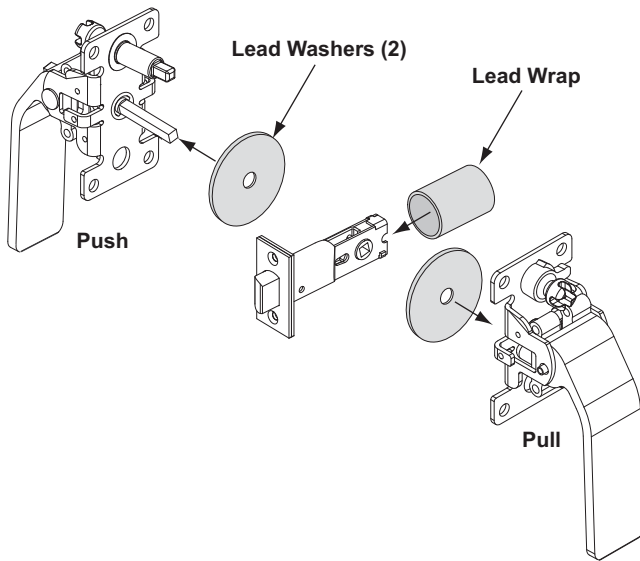
NOTE: If door holes do not match template, see Door Preparation section on back page.



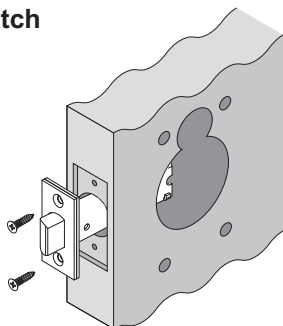
2 For Roller Strike Model ONLY, Install Adapter Plate



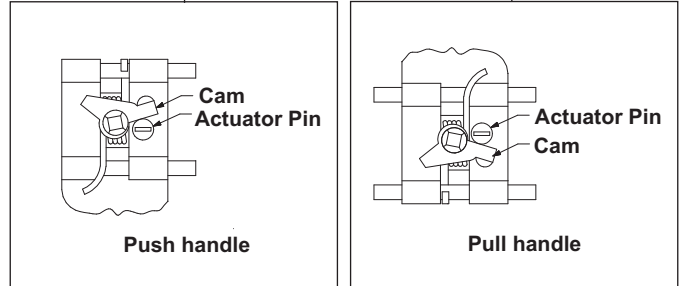
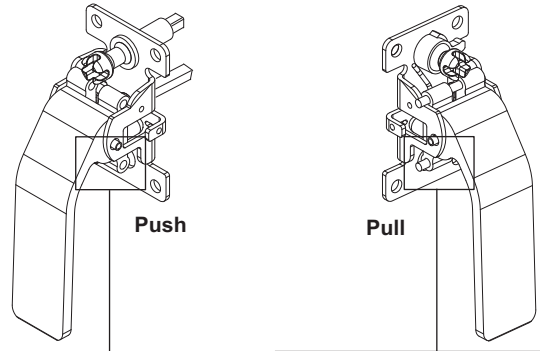
3 For Lead Lined Model ONLY, Install Lead Lining



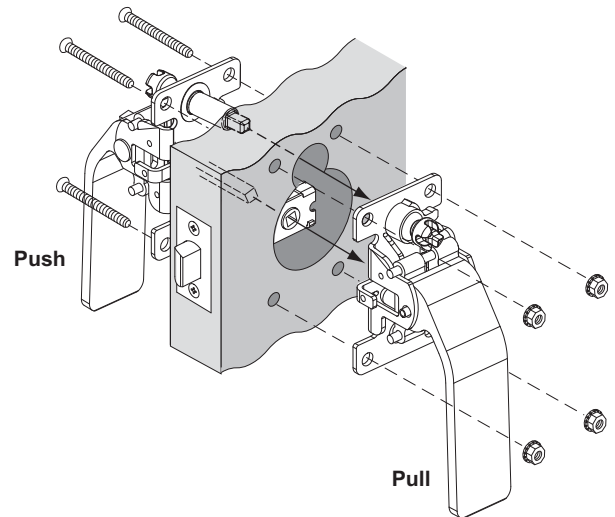
4 Install Latch



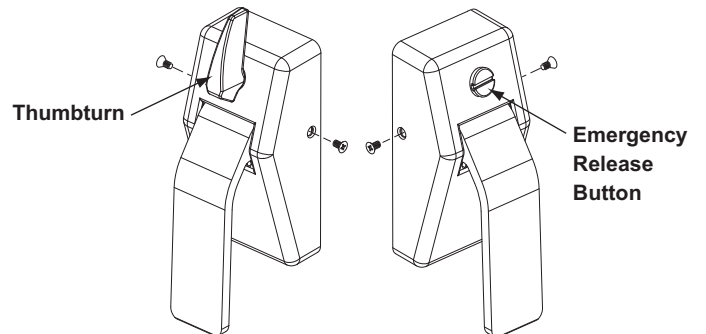
5 Position Cams as Shown



6 Install Push Lever and Pull Lever



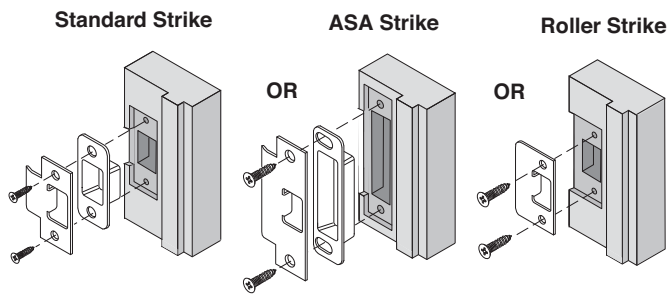
7 Install Covers



PL7 has Thumbturn on Push Side
PL8 has Thumbturn on Pull Side

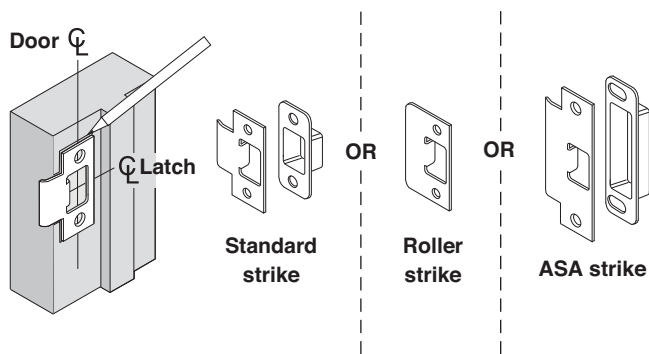
8 Install Strike

NOTE: If frame not prepared, see Frame Preparation below.



Frame Preparation

1 Use Strike as a Pattern to Mark Frame



2 Drill Holes

Standard

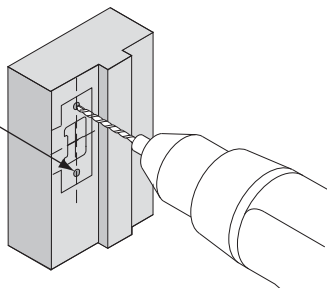
Wood - #32 Pilot Drill

Metal - #29 Drill, #8-32 Tap

ASA Strike or Roller Strike

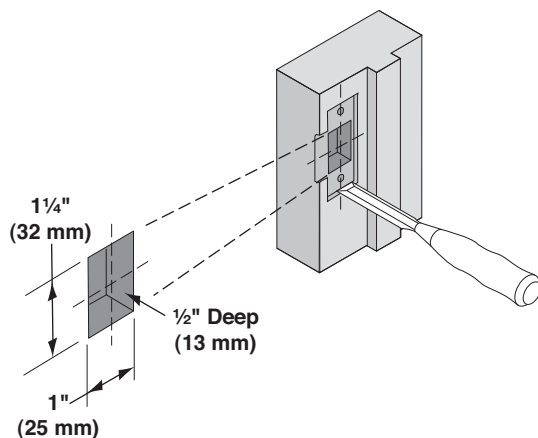
Wood - $\frac{1}{8}$ " (3mm) Pilot Drill

Metal - #17 Drill, #12-24 Tap

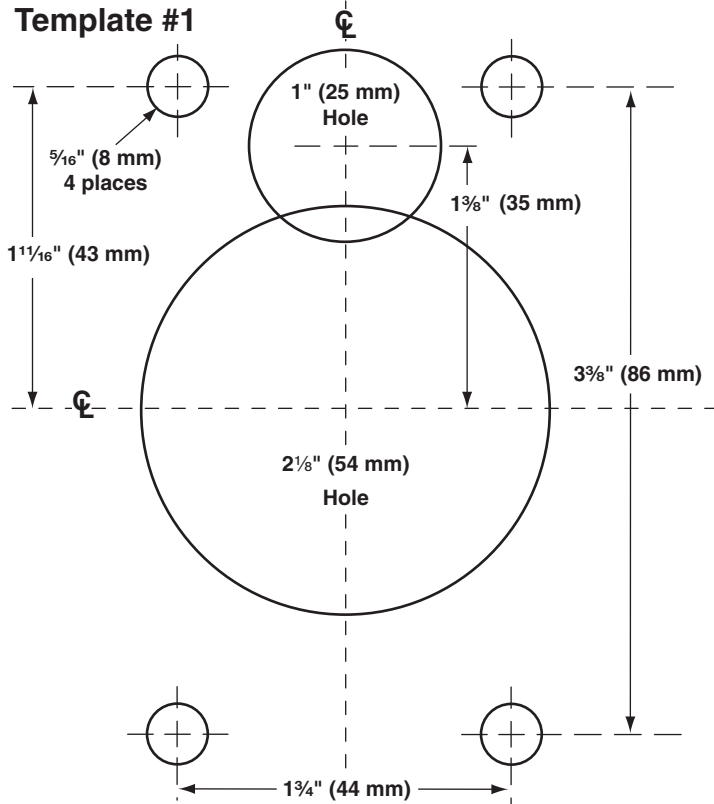


3 Mortise for Strike

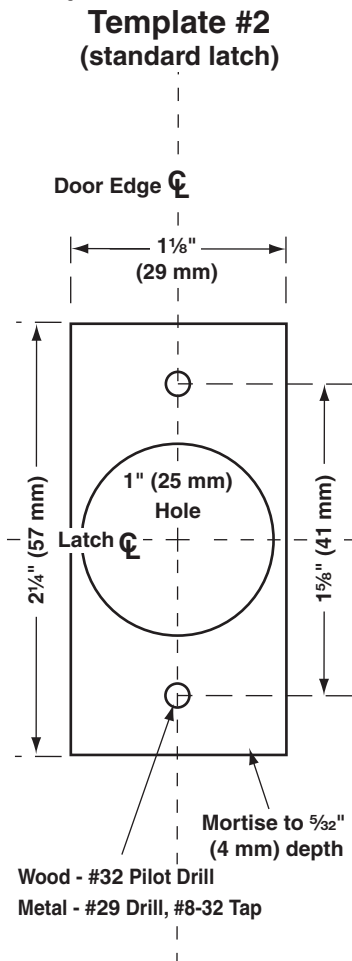
NOTE: Strike should be flush to frame.



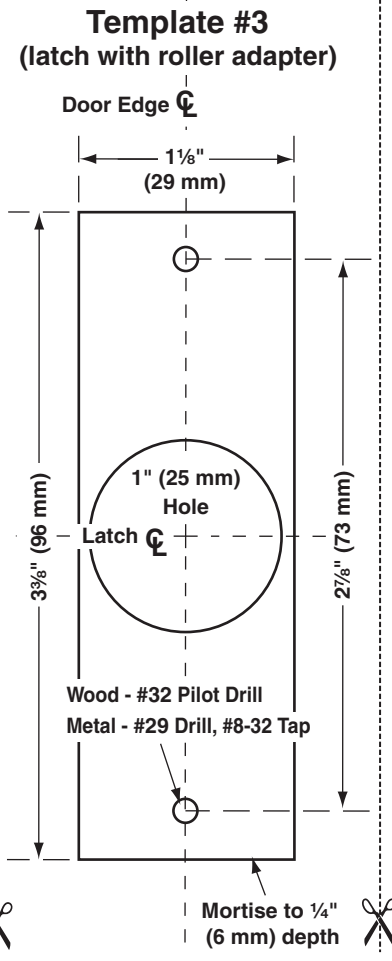
Template #1



Template #2 (standard latch)

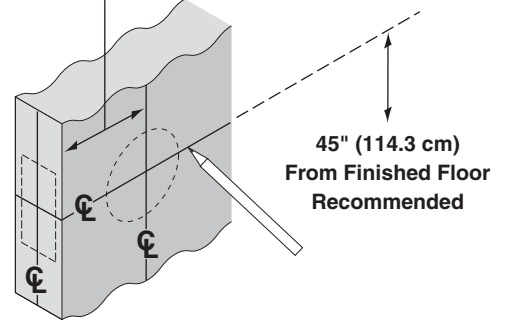


Template #3 (latch with roller adapter)

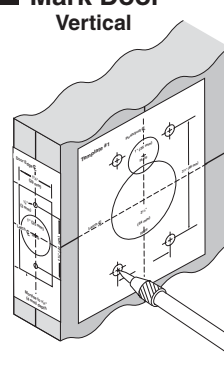


Door Preparation

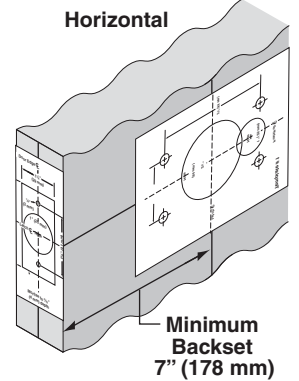
- 1 Mark Center Lines (⊕)**
Backset
2 3/4, 3 3/4, 5", or 7"
(70, 95, 127, or 178 mm)



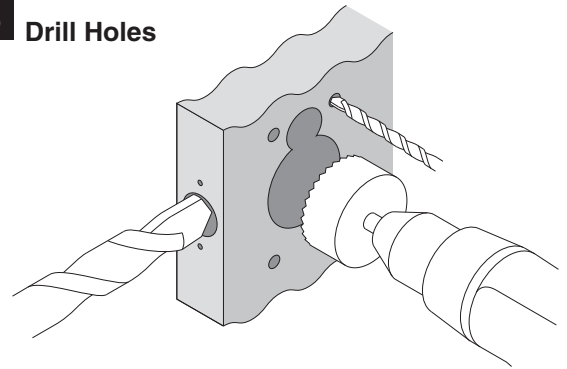
- 2 Mark Door**
Vertical



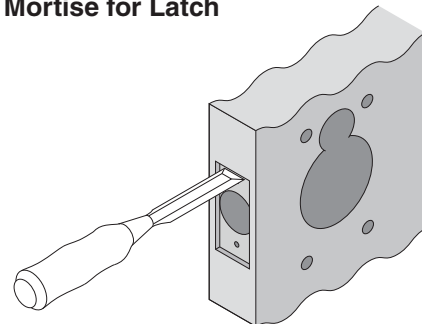
Horizontal



- 3 Drill Holes**



- 4 Mortise for Latch**



Customer Service

1-877-671-7011 www.allegion.com/us



© Allegion 2014
Printed in U.S.A.
829696-00 Rev. 08/14-e