

Cabinet Locks

How to Order

Below is an example describing how to order an HES 660 cabinet lock.

Part Number Examples

660-12V-LBSM-Pre-load

Is the 660 cabinet lock, 12VDC, with LBSM that monitors the position of the latchbolt and keeper and handles pre-load.

660	-	12V	LBSM - Pre-load
Strike Series	Fail Safe/Secure	Voltage	Optional Features
<i>Choose the electric strike series number</i>	<i>Specify an "F" for Fail Safe and leave blank for Fail Secure (standard)</i>	<i>Specify voltage (12 or 24)</i>	<i>This item refers to options such as latchbolt monitor, pre-load, key override, etc.</i>

HES now offers the K100-622H Kit for those customers who desire to wirelessly add access control to a cabinet using an existing EAC system.

Part Number Examples

K100-622H-SE-B1

Is a 622 cabinet lock, high frequency, paired with a Wiegand 1:1 hub and has black finish with round knob.

K100-622H-PA-W1

Is a 622 cabinet lock, Prox, paired with a Wiegand 1:1 hub in white with round knob.

K100	622H	PA	W	1
Cabinet Lock	Model	Credential Technology	Color	Knob Type
<i>Choose the cabinet lock series number</i>	<i>Choose the model number</i>	<i>SE - High Frequency PA - Prox</i>	<i>W - White B - Black</i>	<i>1 - Round 2 - Thumbturn</i>



ADAMS RITE
A100 Keyless Entry Control
Ideal for aluminum and glass storefront doors



HES
K100 Cabinet Lock
Ideal for cabinets, lockers and drawers—in applications such as healthcare, higher education and IT



HES
KS100 Server Cabinet Lock
Ideal for server cabinets and data centers



MEDECO
M100 eCylinder
Ideal upgrade to existing mechanical door hardware



SARGENT
IN100 Lock
Ideal for institutional and commercial applications



SARGENT
PR100 Lock
Ideal for institutional and commercial applications



SECURITRON
R100 Surface Mounted Wireless Reader
Ideal for full glass entry doors

Aperio® Wireless possibilities for online access control

Aperio (Latin) / a'pe.ri.o/ – to uncover, open

At ASSA ABLOY, we've uncovered the solution that will open new doors to possibilities for online access control.

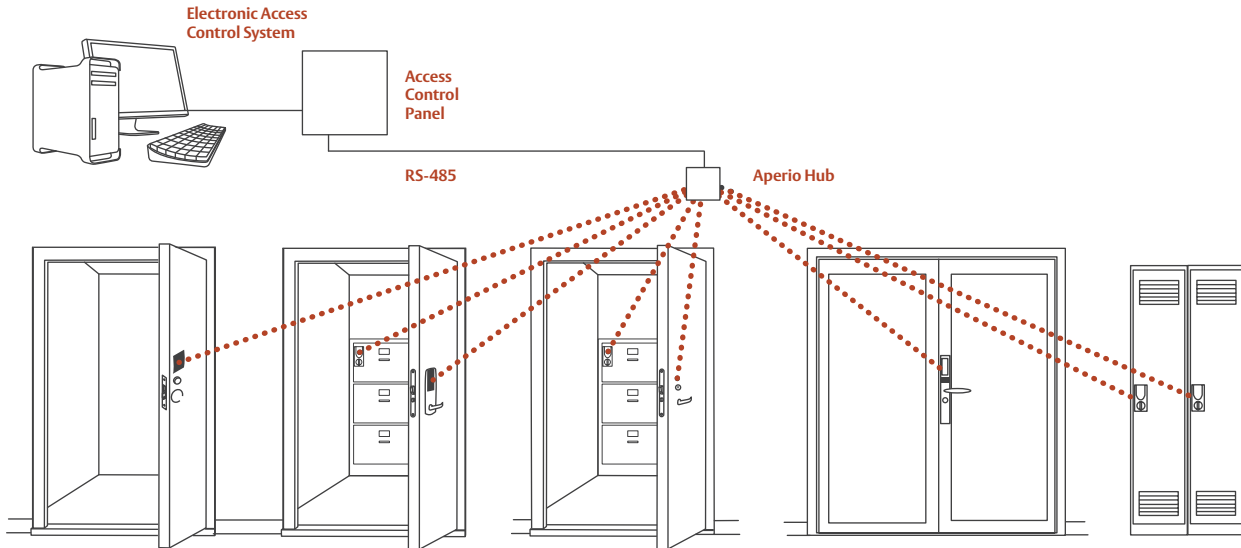
Aperio technology is a global wireless platform that reduces the cost and inconvenience of traditional access control — without the hassle of complex site surveys.

It utilizes local wireless communication between the lock and a communications hub to connect to an online electronic access control system. This offers facilities an easy, affordable way to expand the reach of existing access control systems and secure additional openings.

Aperio products are available through ASSA ABLOY Authorized Channel Partners.

Visit www.intelligentopenings.com for more information.

The HES K100 cabinet lock, HES KS100 server cabinet lock, Securitron R100 surface mounted wireless reader and the Adams Rite A100 keyless entry control are now available as single hub and lock kits.



Standard Features

- Utilizes IEEE 802.15.4 wireless communication between the lock and an Aperio hub that is connected to the electronic access control system
- Real-time communication with the access control system for greater security and control
- Real-time door status monitoring
- Advanced data security with standard encryption techniques
- AES 128-bit encryption

- Global wireless platform that addresses a wide range of applications and security requirements
- Global Aperio technology is ideal for companies who wish to deploy a standard infrastructure across multi-national locations
- Available across a range of locking hardware from ASSA ABLOY Group brands, Aperio provides the flexibility to address a variety of applications throughout your facility
- Supports HID® 125 kHz proximity or 13.56 MHz iCLASS® (full authentication, all formats) credentials

Quick, Easy Wireless Deployments

- No complex site surveys
- Minimal field configuration
- Simplified installation at the opening
- Uses existing credentials





K100-622 wireless cabinet reader, lock and AperiO hub

The HES K100 wireless cabinet lock with AperiO technology makes it easy and cost effective to bring real-time access control to cabinets and drawers where audit trail and monitoring are increasingly critical. It uses local wireless communication between the lock and an AperiO hub to connect to an access control system, eliminating the cost and difficulty of physically wiring access control to the cabinet.

The K100 expands the reach of access control systems to drawers, cabinets and lockers through the use of existing ID badges.

K100-622H

Wireless Cabinet Lock Series

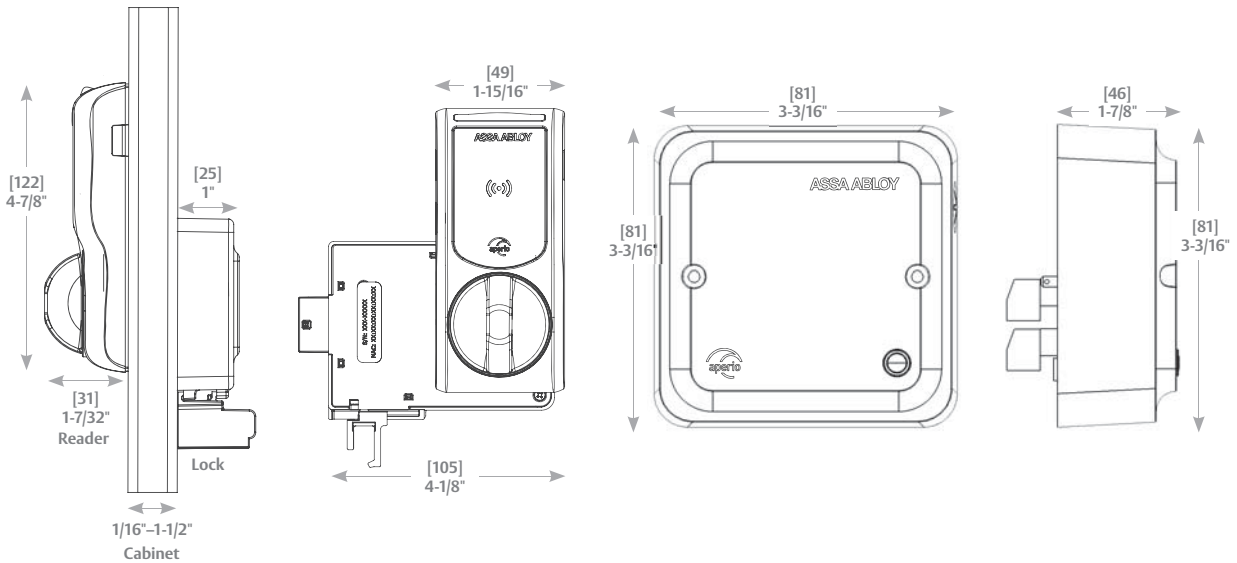
Add cabinet security without adding another credential

Specifications

- Operating temperature +32 to +122F [0 to +50C]
- FCC and Industry Canada compliant
- Patents pending



K100-621 with thumbturn knob



Standard Features

- Fast, easy-to-install wireless lock that communicates with an existing electronic access control system via the included Wiegand communication hub
- Convenient, quick response, single-card system uses existing ID badges (no keys to control or replace, no codes to secure or remember)
- High security asset protection with audit trail
- Cabinet lock latchbolt status monitoring
- Low maintenance with 50,000 cycles of battery life with two AA lithium batteries
- Low battery signaling and reporting
- Communication Hub using IEEE 802.15.4, connects to electronic access control with standard Wiegand wiring
- Secure AES128-bit encrypted wireless communication
- Mechanical key override compatible
- Uses existing ID badges
 - » *Two models are available to support low frequency or high frequency cards*
 - *Low frequency model supports Prox and EM Prox*
 - *High frequency model supports iCLASS, iCLASS Seos, iCLASS SE, ISO14443B UID, Mifare, Mifare Plus, Desfire SE, Desfire EV1, NFC*
- Bi-directional turnknob for easier opening
- Easy-to-manage user access
- Larger LED for improved visual feedback
- Custom cam can be locked in place when key is removed providing improved security
- Improved strike plate
- Three-year limited warranty

Optional Features

- iCLASS or Prox reader
- Round or thumbturn knob

Finishes

- White or black

