

The 2910 MIDDLE SWING® by LCN is a low-energy automatic swing door operator that is a cost-effective solution to ADA-compliance. In automatic mode, push button controls open the door automatically and permit safe, easy access for the disabled or elderly. This swing operator acts as a regular pedestrian door without automatic activation.

- ▶ **Push 'N Go permits non-switch activation**
- ▶ **In manual mode only requires 8 1/2 lbs of opening force**
- ▶ **Digital keypad for easy setup**
- ▶ **Tested internally to over 10,000,000 cycles**
- ▶ **Meets International Building Code requirements and ANSI A156.19**
- ▶ **UL approved for fire doors**

- ▶ 2910 series operator is shipped with motor gearbox, control box, arm, bottom pivot, header, and mounting hardware. Actuators available separately, see pages 199-215.
- ▶ Single door, overhead concealed.
- ▶ ADA compliant
- ▶ Handed product.
- ▶ 36" header length is standard. Specify length 30" to 49" max.
- ▶ Double door header available up to 98", specify length 49" to 98" max. Consult factory regarding this option.
- ▶ Fixed or breakaway stop available (center pivot arm).
- ▶ Adjustable hold open period of 1 to 32 seconds in automatic or manual mode

2910 Series is fully compliant with UL 325 & UL 1998 and meets the provisions of ANSI A156.19. The 2910 Series is UL listed for fire-rated applications. The 2910 Series also meets the provisions of the Americans with Disabilities Act.

MOUNTING					HANDING		FINISH	COVER		ARM FUNCTION					
SURFACE MOUNT SINGLE DOOR	SURFACE MOUNT SIMULTANEOUS PAIR	SURFACE MOUNT INDEPENDENT PAIR	CONCEALED SINGLE DOOR	CONCEALED SIMULTANEOUS PAIR	HANDED	NON-HANDED	STANDARD ANODIZED	CUSTOM ANODIZED	CUSTOM PAINT	METAL	STANDARD (SINGLE)	REGULAR (DOUBLE)	DOUBLE EGRESS (PUSH/PULL)	OFFSET PIVOT ARM	CENTER PIVOT ARM
○	○	○	●	○	●	○	●	●	●	○	○	○	●	●	

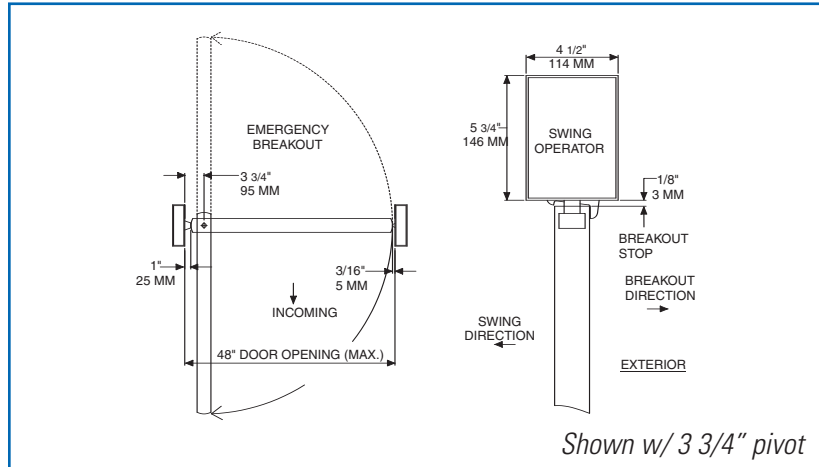
● AVAILABLE
 ○ NOT AVAILABLE

LCN 2910 SERIES

MOUNTING DETAILS

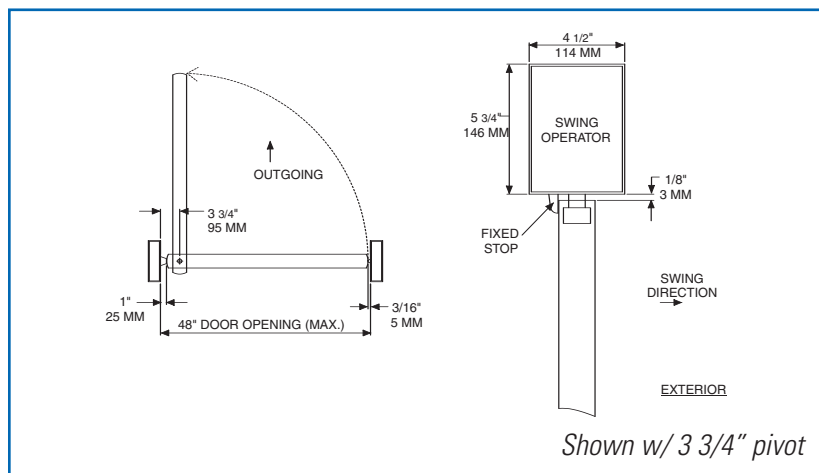
CONCEALED SINGLE DOOR (CENTER PIVOT, EMERGENCY BREAKOUT, PULL) MOUNTING

Minimum header length 36".



CONCEALED SINGLE DOOR (CENTER PIVOT, FIXED STOP, PUSH) MOUNTING

Minimum header length 36".



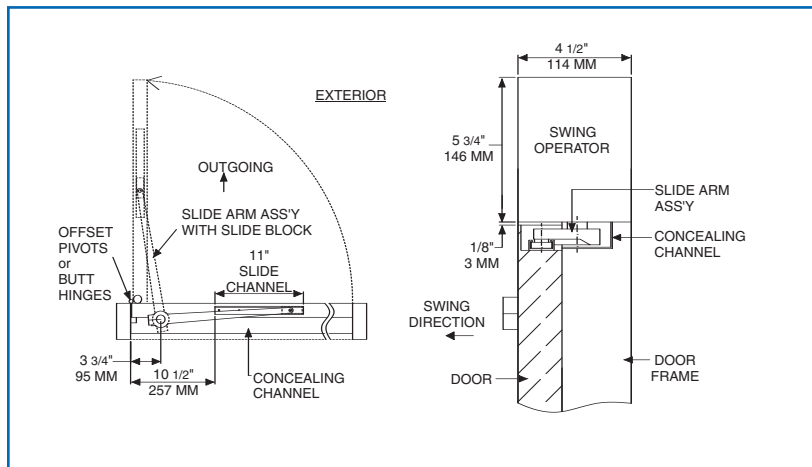
MAXIMUM OPENING

Template allows 90 degree power opening and 90 degree manual opening.

- ▶ **Head Frame** minimum 36" (L) x 5 3/4" (H) x 4 1/2" (W) " (914 mm x 146 mm x 114 mm).
- ▶ **Top Rail** minimum 2" (51 mm).
- ▶ **Opening & Closing Time** are variable by adjustments to the electronic control box. Maximum hold open time adjustable up to approximately 32 seconds.
- ▶ **Door Stop** required for each door panel.
- ▶ **System Diagram** see "AUTOMATIC OPERATORS" section pages 54-55 for typical system wiring and page 58 for electrical data.
- ▶ Please consult your local SSC representative or LCN for assistance with specific installations and material requirements.

Special Templates

Customized installation templates or products may be available to solve unusual applications. Contact LCN for assistance.



CONCEALED SINGLE DOOR (OFFSET PIVOT, SLIDE ARM, PUSH) MOUNTING

Minimum header length 33".

- ▶ **Head Frame** minimum 33" (L) x 5 3/4" (H) x 4 1/2" (W) " (838 mm x 146 mm x 114 mm).
- ▶ **Top Rail** minimum 2" (51 mm).
- ▶ **Opening & Closing Time** are variable by adjustments to the electronic control box. Maximum hold open time adjustable up to approximately 32 seconds.
- ▶ **Door Stop** required for each door panel.
- ▶ **System Diagram** see "AUTOMATIC OPERATORS" section pages 54-55 for typical system wiring and page 58 for electrical data.
- ▶ Please consult your local SSC representative or LCN for assistance with specific installations and material requirements.

MAXIMUM OPENING

Template allows 90 degree power opening and 90 degree manual opening.

Special Templates

Customized installation templates or products may be available to solve unusual applications. Contact LCN for assistance.

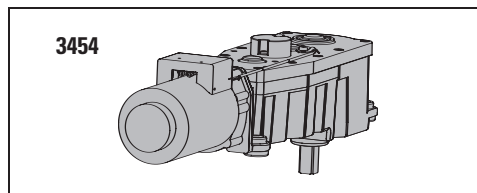
LCN 2910 SERIES

ACCESSORIES

MOTOR GEARBOX

MOTOR GEARBOX MIDDLE SWING, 2910-3454

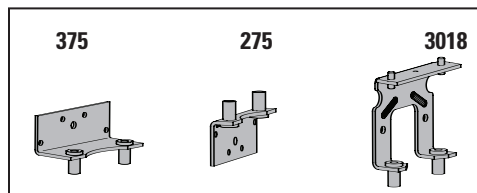
Driving mechanism for operator. Provides 8 1/2 lbs opening force. Handed



MOUNTING BRACKET

MOUNTING BRACKET – 3 3/4", 2910-375

Motor gearbox mounting bracket for 3 3/4" center, offset pivot, butt hinge installations. Front bracket.

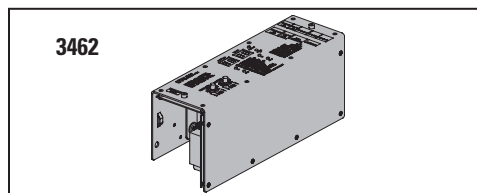


MOUNTING BRACKET – 2 3/4", 2910-275

Motor gearbox mounting bracket for 2 3/4" center pivot installations. Front bracket.

REAR MOUNT BRACKET, 2910-3018

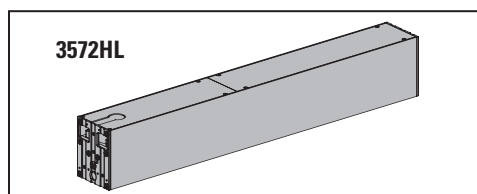
Motor gearbox mounting bracket. Rear bracket.



CONTROL BOXES

CONTROL BOX- MIDDLE SWING, 2910-3462

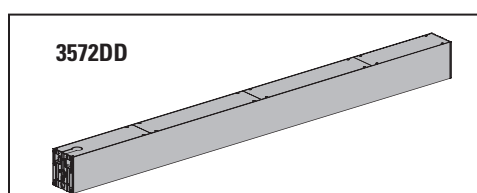
Electronic controlling device for Middle Swing.



HEADERS

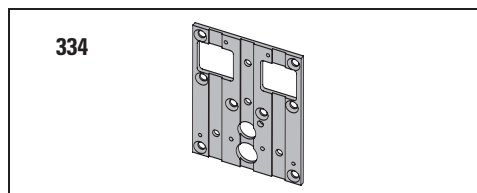
Header, 2910-3572HL

Standard, mounting header. Single door, single operator. Specify length 30" to 49" maximum.



Header, 2910-3572DD

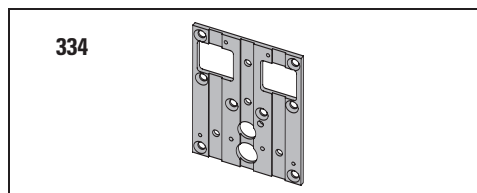
Standard, mounting header. Double door, single operator. Specify length 49" to 98" maximum.



END CAPS

HEADER END CAPS, 2910-334

End cap with openings for wiring.

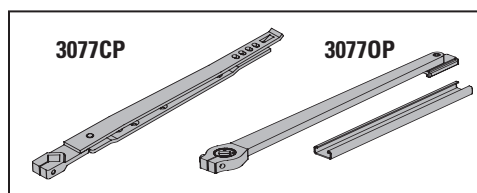


ARMS

CENTER PIVOT ARM, 2910-3077CP

(CENTER PIVOT INSTALLATIONS ONLY)

Used with overhead concealed operators and center pivoted doors.



OFFSET PIVOT ARM, 2910-3077OP

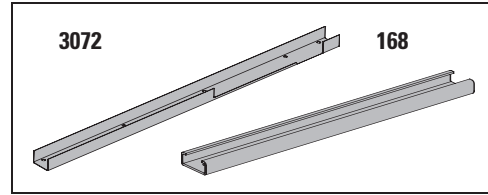
(OFFSET PIVOT OR BUTT HUNG INSTALLATIONS ONLY)

Handed arm. Used with overhead concealed operators.

CHANNELS

CONCEALING CHANNEL, 2910-3072

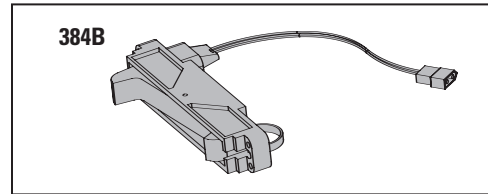
Used to conceal arm in overhead concealed applications. For offset pivot installations only. If ordering separately specify length and hand.



SLIDE CHANNEL, 2910-168

(OFFSET PIVOT or BUTT HINGE INSTALLATIONS ONLY)

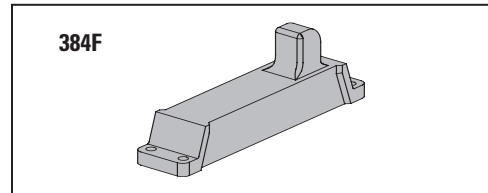
Mounts in concealing channel. Allows arm to slide.



INSTALLATION ACCESSORIES

DOOR STOP BREAKAWAY, 2910-384B

Allows in swinging door to swing out in case of emergency (Pull installations). For center pivoted installations only.

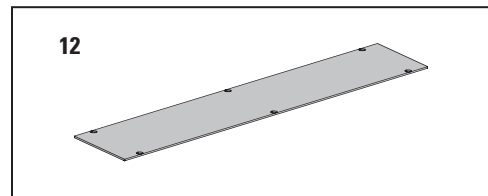


DOOR STOP FIXED, 2910-384F

Prevents out swinging door from swinging in (Push installations). For center pivoted installations only.

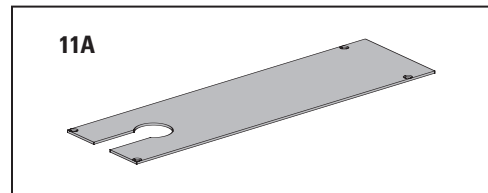
FILLER PLATE BLANK, 2910-12

Completes length of header box.



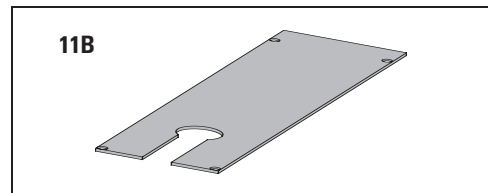
SPINDLE PLATE – 2 3/4", 2910-11A

Hides bottom of motor gearbox. Completes header box. Cutout allows for motor gearbox shaft. For 2 3/4" offset pivot/butt hinge installations.



SPINDLE PLATE – 3 3/4", 2910-11B

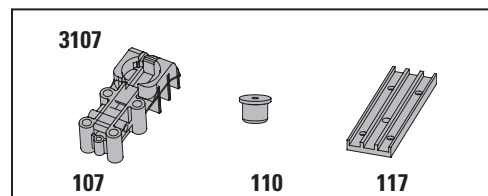
Hides bottom of motor gearbox. Completes header box. Cutout allows for motor gearbox shaft. For 3 3/4" center pivot installations.



PIVOTS

BOTTOM PIVOT ASSEMBLY, 2910-3107

Includes pivot body, pivot post and bottom pivot plate. For overhead concealed, center pivoted installations. Includes; 2910-107, 2910-110 and 2910-117.



PIVOT BODY, 2910-107

Bottom pivot body for center pivoted installations.

PIVOT POST, 2910-110

Connects pivot body to bottom pivot plate for center pivoted installations.

BOTTOM PIVOT PLATE, 2910-117

Applied to floor for center pivoted installations.

LCN 2910 SERIES

TABLE OF SIZES

→ Indicates recommended range of door width for operator.
Note: For all Middle Swing Series
Single Door - Width per leaf 36" minimum, 48" maximum

DOOR WIDTH



HOW-TO-ORDER 2910 SERIES OPERATORS

1. SELECT INSTALLATION TYPE

- 2911

2. SPECIFY HAND

- RH
- LH

3. ARMS

- Standard 3 3/4" (Offset pivoted) Arm (30770P)
- Standard 2 3/4" (Center pivoted) Arm (3077CP)
- Standard 3 3/4" (Center pivoted) Arm (3077CP)

4. SPECIFY FINISH.

- Standard Anodized Finish _____
Aluminum or Dark Bronze

Operator will be shipped with:

- STANDARD MOTOR GEARBOX (SF)
 - STANDARD CONTROL BOX (SC)
 - 36" HEADER (36HL)
 - 2 3/4" PIVOT POINT
 - WOOD and MACHINE SCREW PACK
- Unless options listed below are selected.*

OPERATOR OPTIONS

HEADER

- HL__ (Specify length 33" to 49" offset pivot)
- HL__ (Specify length 36" to 49" center pivot)
- DD__ (Specify length 49" to 98")

STOPS*

- Positive Mechanical Stop (POS)
- Panic Breakaway Stop (BKY)

**Available with Center Pivoted installations only.*

FINISH

- Custom Anodized Finish _____
- Custom Painted Finish _____

SPECIAL TEMPLATE

- ST-_____