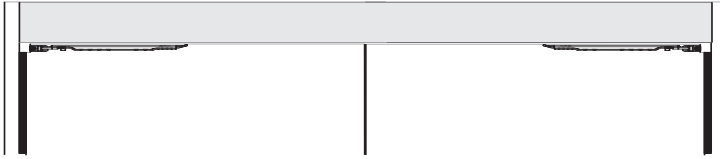


LCN 2950 SERIES

FEATURES

OPERATOR MOUNTS SIMULTANEOUS PAIR, OVERHEAD CONCEALED *CENTER PIVOT OFFSET PIVOT/BUTT HINGE



*CENTER PIVOT arm shown

The 2950 MIDDLE SWING® by LCN is a low-energy automatic swing door operator that is a cost-effective solution to ADA-compliance. In automatic mode, push button controls open the door automatically and permit safe, easy access for the disabled or elderly. This swing operator acts as a regular pedestrian door without automatic activation.

- ▶ **Push 'N Go permits non-switch activation**
- ▶ **In manual mode only requires 8 1/2 lbs of opening force**
- ▶ **Digital keypad for easy setup**
- ▶ **Tested internally to over 10,000,000 cycles**
- ▶ **Meets International Building Code requirements and ANSI A156.19**
- ▶ **UL approved for fire doors**

- ▶ 2950 series operator is shipped with motor gearbox, control box, arm, bottom pivot, header, and mounting hardware. Actuators available separately, see pages 199-215.
- ▶ Simultaneous pair, overhead concealed.
- ▶ ADA compliant
- ▶ Handed product.
- ▶ 72" header length is standard. Specify other length 60" to 98" max. Consult factory regarding this option.
- ▶ Fixed or breakaway stop available (center pivot arm).
- ▶ Adjustable hold open period of 1 to 32 seconds in automatic or manual mode.

2950 Series is fully compliant with UL 325 & UL 1998 and meets the provisions of ANSI A156.19. The 2950 Series is UL listed for fire-rated applications. The 2950 Series also meets the provisions of the Americans with Disabilities Act.

MOUNTING						HANDING			FINISH		COVER		ARM FUNCTION	
SURFACE MOUNT SINGLE DOOR	SURFACE MOUNT SIMULTANEOUS PAIR	CONCEALED SINGLE DOOR	CONCEALED SIMULTANEOUS PAIR	HANDED	NON-HANDED	STANDARD ANODIZED	CUSTOM ANODIZED	CUSTOM PAINT	METAL	STANDARD (SINGLE)	REGULAR (DOUBLE)	DOUBLE EGRESS (PUSH/PULL)	OFFSET PIVOT ARM	CENTER PIVOT ARM
○	○	○	○	●	○	●	●	●	●	○	○	○	●	●

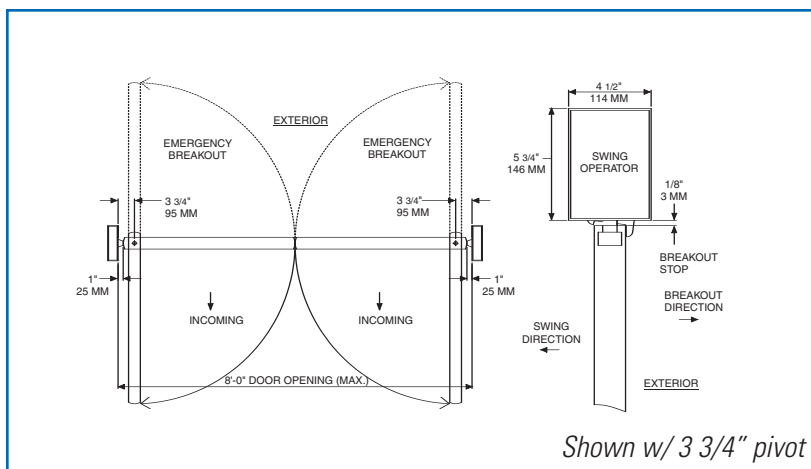
● AVAILABLE
○ NOT AVAILABLE

LCN 2950 SERIES

MOUNTING DETAILS

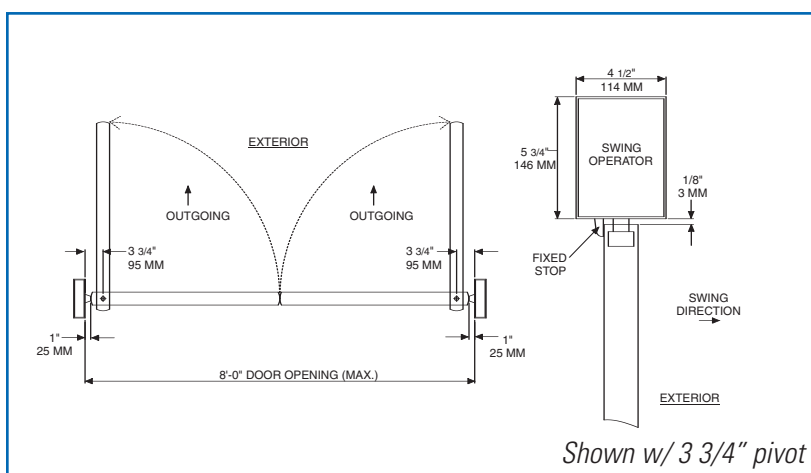
CONCEALED SIMULTANEOUS PAIR (CENTER PIVOT, EMERGENCY BREAK OUT, PULL) MOUNTING

Minimum header length 60" and 70" with stops.



CONCEALED SIMULTANEOUS PAIR (CENTER PIVOT, FIXED STOP, PUSH) MOUNTING

Minimum header length 60" and 70" with stops.



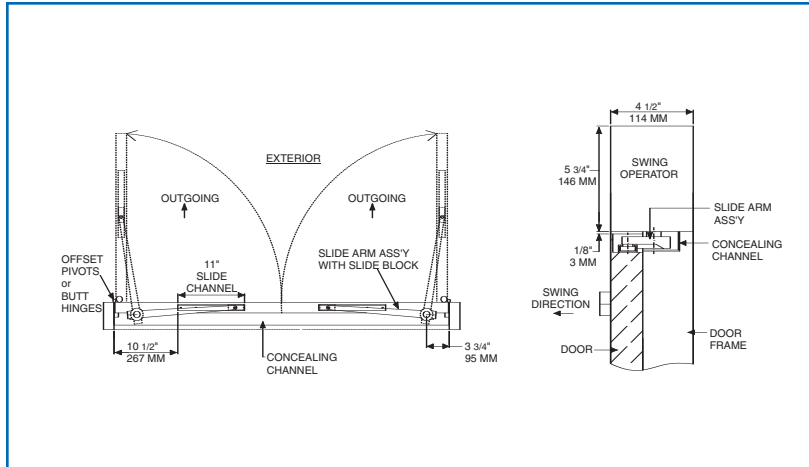
MAXIMUM OPENING

Template allows 90 degree power opening and 90 degree manual opening.

Special Templates

Customized installation templates or products may be available to solve unusual applications. Contact LCN for assistance.

- ▶ **Head Frame** minimum 60" (L) x 5 3/4" (H) x 4 1/2" (W) " (1524 mm x 146 mm x 114 mm).
- ▶ **Top Rail** minimum 2" (51 mm).
- ▶ **Opening & Closing Time** are variable by adjustments to the electronic control box. Maximum hold open time adjustable up to approximately 32 seconds.
- ▶ **Door Stop** required for each door panel.
- ▶ **System Diagram** see "AUTOMATIC OPERATORS" section pages 54-55 for typical system wiring and page 58 for electrical data.
- ▶ Please consult your local SSC representative or LCN for assistance with specific installations and material requirements.



CONCEALED SIMULTANEOUS PAIR (OFFSET PIVOT/BUTT HINGE, PUSH) MOUNTING

- ▶ **Head Frame** minimum 60" (L) x 5 3/4" (H) x 4 1/2" (W) " (1524 mm x 146 mm x 114 mm).
- ▶ **Top Rail** minimum 2" (51 mm).
- ▶ **Opening & Closing Time** are variable by adjustments to the electronic control box. Maximum hold open time adjustable up to approximately 32 seconds.
- ▶ **Door Stop** required for each door panel.
- ▶ **System Diagram** see "AUTOMATIC OPERATORS" section pages 54-55 for typical system wiring and page 58 for electrical data.
- ▶ Please consult your local SSC representative or LCN for assistance with specific installations and material requirements.

MAXIMUM OPENING

Template allows 90 degree power opening and 90 degree manual opening.

Special Templates

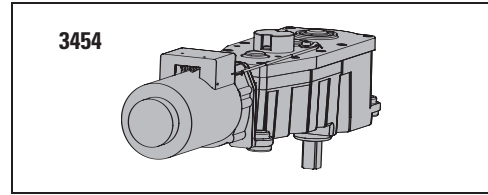
Customized installation templates or products may be available to solve unusual applications. Contact LCN for assistance.

LCN 2950 SERIES

MOTOR GEARBOX

MOTOR GEARBOX MIDDLE SWING, 2950-3454

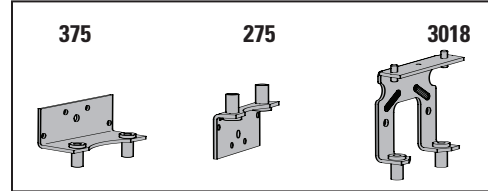
Driving mechanism for operator. Provides 8 1/2 lbs opening force. Handed



MOUNTING BRACKET

MOUNTING BRACKET – 3 3/4", 2950-375

Motor gearbox mounting bracket for 3 3/4" center, offset pivot, butt hinge installations. Front bracket.

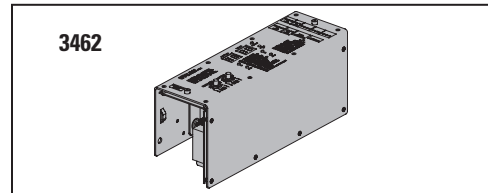


MOUNTING BRACKET – 2 3/4", 2950-275

Motor gearbox mounting bracket for 2 3/4" center pivot installations. Front bracket.

REAR MOUNT BRACKET, 2950-3018

Motor gearbox mounting bracket. Rear bracket.



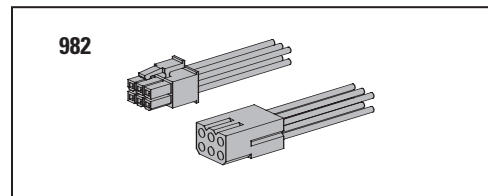
CONTROL BOXES

CONTROL BOX- MIDDLE SWING, 2950-3462

Electronic controlling device for Middle Swing.

COMPANION CABLE, 2950-982

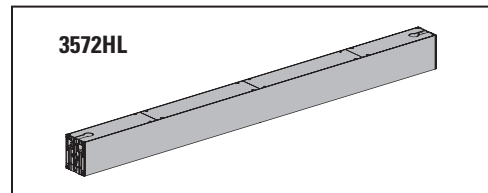
Cable that allows one control box to run two motor gearboxes. For use with Middle Swing.



HEADERS

HEADER, 2950-4572HL

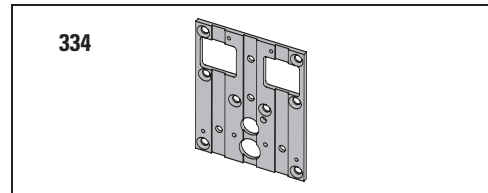
Standard, mounting header. Pair door, two operators. Specify length 60" to 98" maximum.



END CAPS

HEADER END CAPS, 2950-334

End cap with openings for wiring.



ARMS

CENTER PIVOT ARM, 2910-3077CP

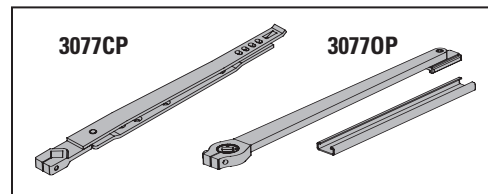
(CENTER PIVOT INSTALLATIONS ONLY)

Used with overhead concealed operators and center pivoted doors.

OFFSET PIVOT ARM, 2910-3077OP

(OFFSET PIVOT OR BUTT HUNG INSTALLATIONS ONLY)

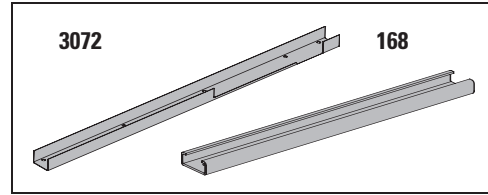
Handed arm. Used with overhead concealed operators.



CHANNELS

CONCEALING CHANNEL, 2950-3072

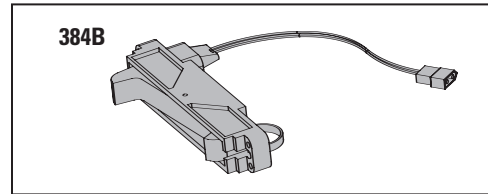
Used to conceal arm in overhead concealed applications. For offset pivot installations only. If ordering separately specify length and hand.



SLIDE CHANNEL, 2910-168

(OFFSET PIVOT or BUTT HINGE INSTALLATIONS ONLY)

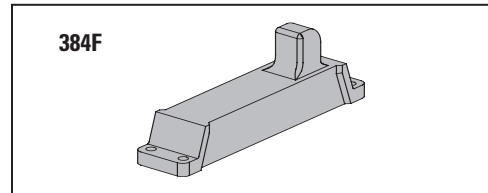
Mounts in concealing channel. Allows arm to slide.



INSTALLATION ACCESSORIES

DOOR STOP BREAKAWAY, 2950-384B

Allows in swinging door to swing out in case of emergency (Pull installations). For center pivoted installations only.

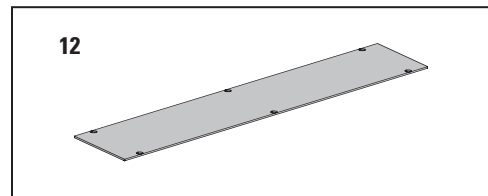


DOOR STOP FIXED, 2950-384F

Prevents out swinging door from swinging in (Push installations). For center pivoted installations only.

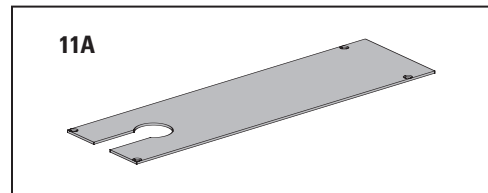
FILLER PLATE BLANK, 2950-12

Completes length of header box.



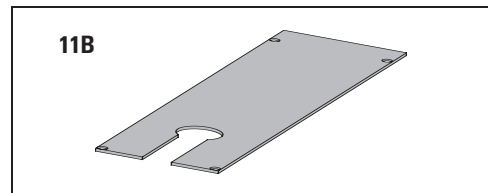
SPINDLE PLATE – 2 3/4", 2950-11A

Hides bottom of motor gearbox. Completes header box. Cutout allows for motor gearbox shaft. For 2 3/4" offset pivot/butt hinge installations.



SPINDLE PLATE – 3 3/4", 2950-11B

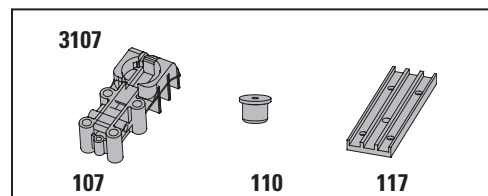
Hides bottom of motor gearbox. Completes header box. Cutout allows for motor gearbox shaft. For 3 3/4" center pivot installations.



PIVOTS

BOTTOM PIVOT ASSEMBLY, 2950-3107

Includes pivot body, pivot post and bottom pivot plate. For overhead concealed, center pivoted installations. Includes; 2950-107, 2950-110 and 2950-117.



PIVOT BODY, 2950-107

Bottom pivot body for center pivoted installations.

PIVOT POST, 2950-110

Connects pivot body to bottom pivot plate for center pivoted installations.

BOTTOM PIVOT PLATE, 2950-117

Applied to floor for center pivoted installations.

LCN 2950 SERIES

TABLE OF SIZES

→ Indicates recommended range of door width for operator.
Note: For all Middle Swing Series
Simultaneous Pair – Width per leaf 30" minimum to 48" maximum

DOOR WIDTH



HOW-TO-ORDER 2950 SERIES OPERATORS

1. SELECT INSTALLATION TYPE

- 2953

2. ARMS

- Standard 3 3/4" (Offset pivoted) Arm (3077OP)
- Standard 2 3/4" (Center pivoted) Arm (3077CP)
- Standard 3 3/4" (Center pivoted) Arm (3077CP)

3. SPECIFY FINISH.

- Standard Anodized Finish _____
Aluminum or Dark Bronze

Operator will be shipped with:

-STANDARD MOTOR GEARBOX (SF) (1 LH & 1 RH)
-STANDARD CONTROL BOX (SC)
-COMPANION CABLE
-72" HEADER (72HL)
-2 3/4" PIVOT POINT
-WOOD and MACHINE SCREW PACK
Unless options listed below are selected.

OPERATOR OPTIONS

HEADER

- HL__ (Specify length 60" to 98")

STOPS*

- Pair Positive Mechanical Stop (POS)
- Pair Panic Breakaway Stop (BKY)

*Available with Center Pivoted installations only.

FINISH

- Custom Anodized Finish _____
- Custom Painted Finish _____

SPECIAL TEMPLATE

- ST-_____