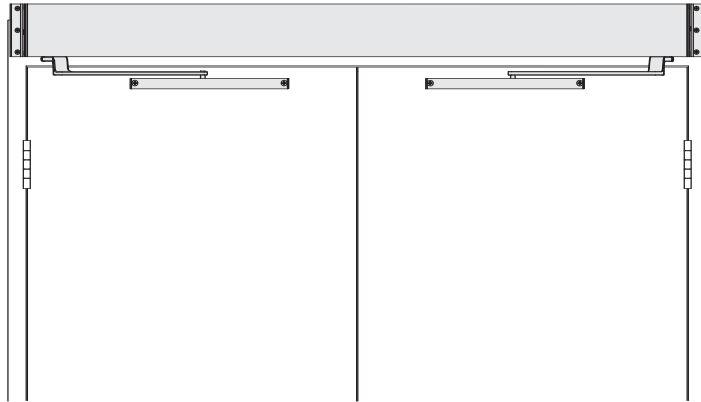


**OPERATOR MOUNTS  
INDEPENDENT PAIR, SURFACE MOUNT  
\*PULL SIDE  
PUSH SIDE  
DOUBLE EGRESS**



\*PULL SIDE mount shown

*The 9760 MIDDLE SWING® by LCN is a low-energy automatic swing door operator that is a cost-effective solution to ADA-compliance. In automatic mode, push button controls open the door automatically and permit safe, easy access for the disabled or elderly. This swing operator acts as a regular pedestrian door without automatic activation.*

- ▶ **Push 'N Go permits non-switch activation**
- ▶ **In manual mode only requires 8 1/2 lbs of opening force**
- ▶ **Digital keypad for easy setup**
- ▶ **Tested internally to over 10,000,000 cycles**
- ▶ **Meets International Building Code requirements and ANSI A156.19**
- ▶ **UL approved for fire doors**

- ▶ 9760 series operator is shipped with motor gearboxes, control boxes, arms, header, and mounting hardware. Actuators available separately, see pages 199-215.
- ▶ Independent pair, surface mounted.
- ▶ ADA compliant.
- ▶ Handed product.
- ▶ Pull, Push or Double Egress applications available.
- ▶ 72" header length is standard. Specify other length 60" to 98". Consult factory regarding this option.
- ▶ Adjustable hold open period of 1 to 32 seconds in automatic or manual mode.

*9760 Series is fully compliant with UL 325 & UL 1998 and meets the provisions of ANSI 156.19. The 9760 Series is UL listed for fire-rated applications. The 9760 Series also meets the provisions of the Americans with Disabilities Act.*

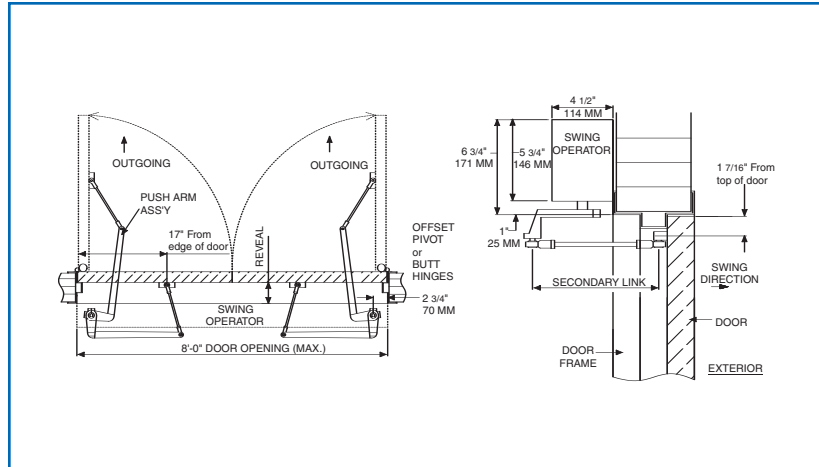
MOUNTING			HANDING			FINISH	COVER		ARM FUNCTION				
SURFACE MOUNT SINGLE DOOR	SURFACE MOUNT SIMULTANEOUS PAIR	SURFACE MOUNT INDEPENDENT PAIR	HANDED	NON-HANDED	STANDARD ANODIZED	CUSTOM ANODIZED	CUSTOM PAINT	METAL	STANDARD (SINGLE)	REGULAR (DOUBLE)	DOUBLE EGRESS (PUSH/PULL)	OFFSET PIVOT ARM	CENTER PIVOT ARM
●	○	○	○	○	○	○	○	○	○	○	○	○	○

● AVAILABLE  
○ NOT AVAILABLE

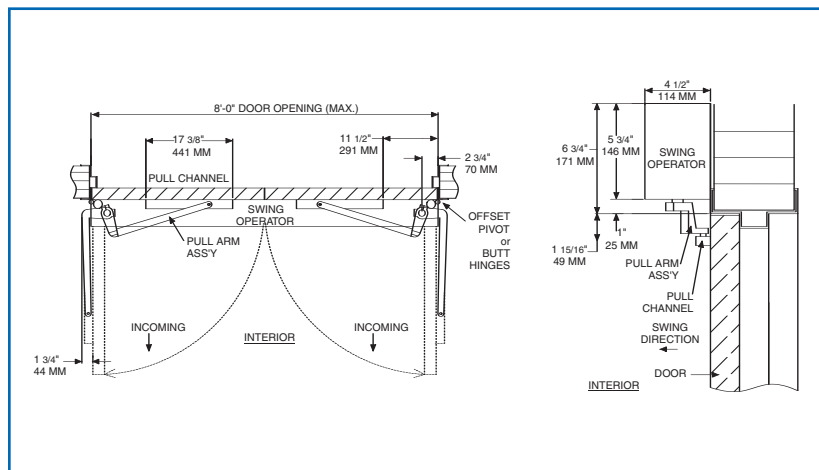
# LCN 9760 SERIES

## MOUNTING DETAILS

### TOP JAMB INDEPENDENT PAIR (OFFSET PIVOT/BUTT HINGE, CENTER PIVOT, PUSH) MOUNTING



### TOP JAMB INDEPENDENT PAIR (OFFSET PIVOT/BUTT HINGE, CENTER PIVOT, PULL) MOUNTING



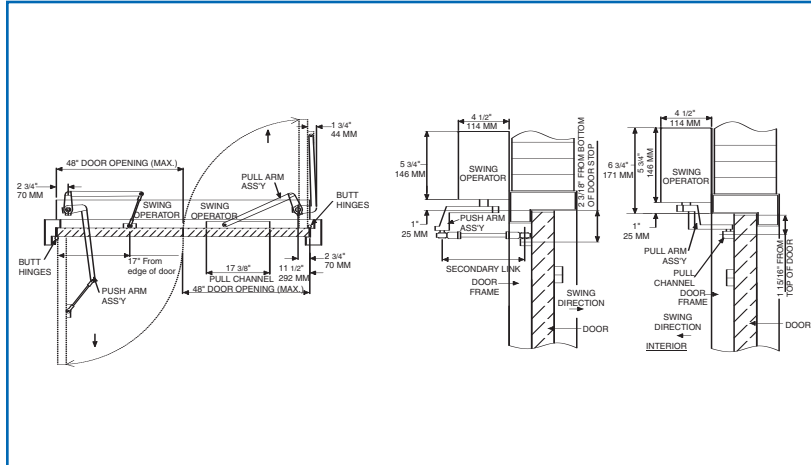
### MAXIMUM OPENING

Template allows 90 degree power opening and 90 degree manual opening.

#### Special Templates

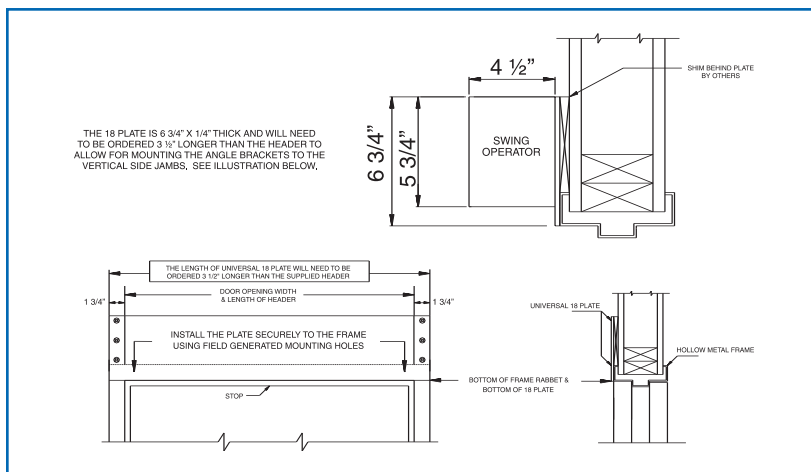
Customized installation templates or products may be available to solve unusual applications. Contact LCN for assistance.

- ▶ **Butt Hinges** should not exceed 5" (127 mm) in width.
- ▶ **Reveal for push** installations should not exceed 10" (254 mm) for REGULAR ARM and 20" (508 mm) for LONG ARM.
- ▶ **Reveal for pull** installations should not exceed 4" (102 mm).
- ▶ **Reveal for double egress** installations should not exceed 4" (102 mm).
- ▶ **Head Frame** minimum 1 3/4" (44 mm). Face frame 6 3/4" (171 mm) total operator clearance.
- ▶ **Top Rail** minimum 2 3/4" (70 mm).
- ▶ **Opening & Closing Time** are variable by adjustments to the electronic control box. Maximum hold open time adjustable up to approximately 32 seconds.
- ▶ **System Diagram** see "AUTOMATIC OPERATORS" section pages 54-55 for typical system wiring and page 58 for electrical data.
- ▶ Please consult your local SSC representative or LCN for assistance with specific installations and material requirements.



## TOP JAMB INDEPENDENT PAIR (RH DOUBLE EGRESS) MOUNTING

Consult factory for all balance door installations.



## HOLLOW METAL FRAME

Suggested Installation

- ▶ **Butt Hinges** should not exceed 5" (127 mm) in width.
- ▶ **Reveal for push** installations should not exceed 10" (254 mm) for REGULAR ARM and 20" (508 mm) for LONG ARM.
- ▶ **Reveal for pull** installations should not exceed 4" (102 mm).
- ▶ **Reveal for double egress** installations should not exceed 4" (102 mm).
- ▶ **Head Frame** minimum 1 3/4" (44 mm). Face frame 6 3/4" (171 mm) total operator clearance.
- ▶ **Top Rail** minimum 2 3/4" (70 mm).
- ▶ **Opening & Closing Time** are variable by adjustments to the electronic control box. Maximum hold open time adjustable up to approximately 32 seconds.
- ▶ **System Diagram** see "AUTOMATIC OPERATORS" section pages 54-55 for typical system wiring and page 58 for electrical data.
- ▶ Please consult your local SSC representative or LCN for assistance with specific installations and material requirements.

## MAXIMUM OPENING

Template allows 90 degree power opening and 90 degree manual opening.

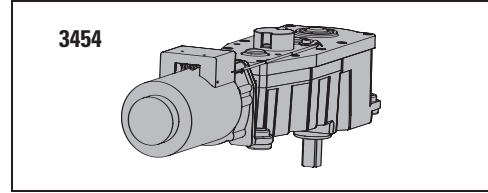
**Special Templates**  
 Customized installation templates or products may be available to solve unusual applications. Contact LCN for assistance.

# LCN 9760 SERIES

## MOTOR GEARBOX

### MOTOR GEARBOX – MIDDLE SWING, 9760-3454

Driving mechanism for operator. Provides 8 1/2 lbs opening force. Handed.



## MOUNTING BRACKETS

### MOUNTING BRACKET – 2 3/4", 9760-275

Motor gearbox mounting bracket for 2 3/4" offset pivot or butt hinge installations. Front bracket.

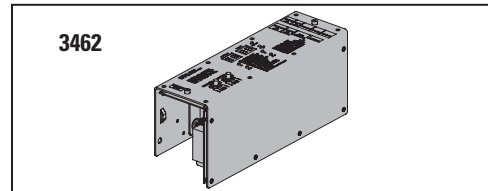


### REAR MOUNT BRACKET, 9760-3018

Motor gearbox mounting bracket. Rear bracket.

### ANGLED BRACKET, 9760-334-1

Mounting bracket for surface applications.



## CONTROL BOXES

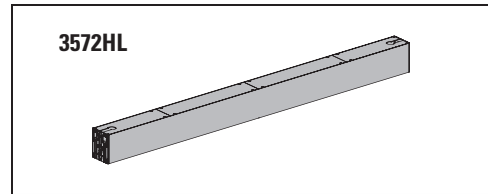
### CONTROL BOX – MIDDLE SWING, 9760-3462

Electronic controlling device for Middle Swing.

## HEADERS

### HEADER, 9760-3572HL

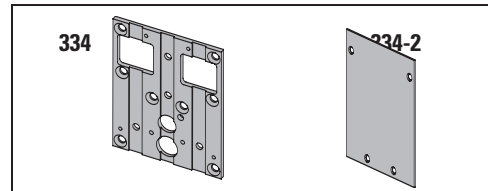
Standard, mounting header. Pair door, two operators. Specify length 60" to 98" maximum.



## END CAPS

### HEADER ENDCAPS, 9760-334

End cap with openings for wiring.



### END DRESS PLATE, 9760-334-2

Metal finish end cap.

## ARMS

### STANDARD ARM ASSEMBLY, 9760-3077PLCM

Handed arm.

### REGULAR ARM ASSEMBLY, 9760-3077

Handed arm.

### REGULAR LONG ARM ASSEMBLY, 97660-3077L

Handed arm.

### STANDARD ARM, 9760-3077T

Handed arm. Track roller not included.

### MAIN ARM, 9760 -77

Handed arm attaches to motor gearbox

### LINKAGE ASSEMBLY – 15", 9760-79

Threaded rod attaches to door. Extends from main arm.

### LINKAGE ASSEMBLY – 32", 9760-79LR

Threaded long rod attaches to door. Extends from main arm.  
Used for reveal 10" to 20".

## TRACKS

### TRACK 9760-3038

Standard non-handed track.

### TRACK END CAP 9760-73

Black plastic end caps.

### ROLLER, 9760-3034

Quiet low friction roller assembly.

## INSTALLATION ACCESSORIES

### SPINDLE PLATE – 2 3/4", 9760-11A

Hides bottom of motor gearbox. Completes header box. Cutout allows for motor gearbox shaft. For 2 3/4" offset pivot or butt hinge installations.

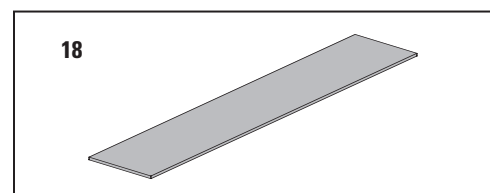
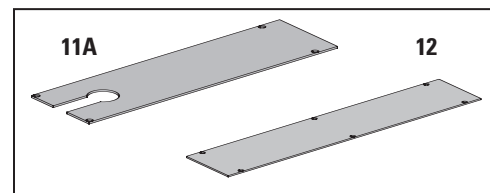
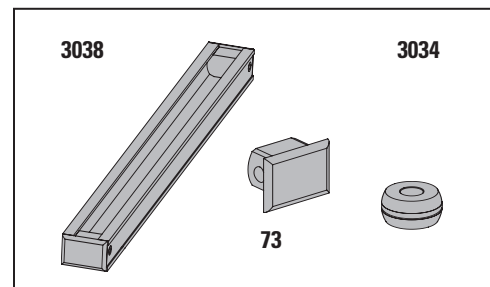
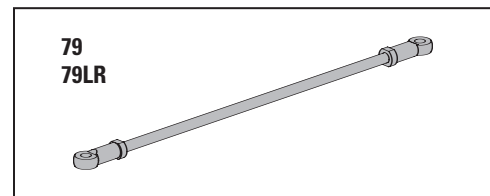
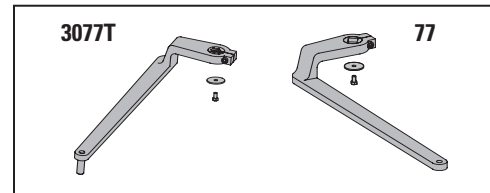
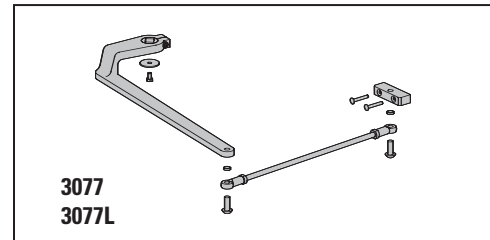
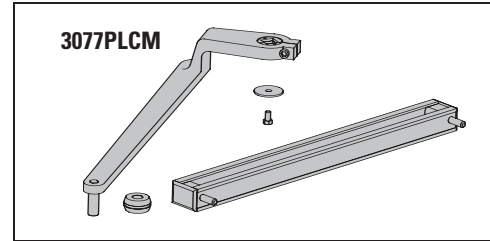
### FILLER PLATE BLANK, 9760-12

Completes length of header box. (Specify Length)

### MOUNTING PLATE, 9760-18

Optional mounting plate for standard hollow metal door frames. Specify length 33" to 98" maximum.

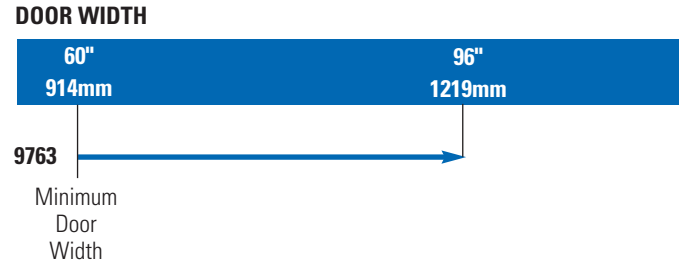
NOTE: The length of a universal 18 plate will need to be ordered 3 1/2" longer than the supplied header.



# LCN 9760 SERIES

## TABLE OF SIZES

→ Indicates recommended range of door width for operator.  
Note: For all Middle Swing Series  
Independent Pair – Width per leaf 30" minimum to 48" maximum



## HOW-TO-ORDER 9760 SERIES OPERATORS

### 1. SPECIFY HAND

- RH
- LH

### 2. SPECIFY FINISH.

- Standard Anodized Finish \_\_\_\_\_  
Aluminum or Dark Bronze

#### **Operator will be shipped with:**

- STANDARD MOTOR GEARBOX (SF) (2 ea)
  - STANDARD CONTROL BOX (SC) (2 ea)
  - 72" METAL COVER (72HL)
  - REGULAR ARM (2 ea)
  - 2 3/4" PIVOT POINT
  - MACHINE SCREW PACK
- Unless options listed below are selected.

## OPERATOR OPTIONS

### MOTOR GEARBOX

- Reduced Force Motor Gearbox (RF)

### HEADER

- HL\_\_ (Specify length 60" to 98")

### MOUNTING PLATE

- Plate, \_\_\_\_ (Specify Length 30" to 98")

### ARM

- Standard Arm (2 ea)  
w/Standard Track (2 ea)
- Double Egress  
Includes Standard Arm w/Track (1 ea)  
& Regular Arm (1 ea)
- Long Arm (3077L)

### FINISH

- Custom Anodized Finish \_\_\_\_\_
- Custom Painted Finish \_\_\_\_\_

### SPECIAL TEMPLATE

- ST-\_\_\_\_\_