

Custom solutions

Designed to meet your
unique requirements

It's your job. It's your space... and **it's personal.**

Every room in every building has its own unique requirements. How you meet those requirements can impact the people in those rooms and their effectiveness on the job. Allegion offers a wide array of solutions to help you meet the requirements in your building.



QuietSolutions

For a quiet opening that is not intrusive and complements the work to be done.



CustomDécor

For an opening designed to enhance a building's personality or blend with the environment.



HighSecurity and Safety

For an opening that requires extra security, monitoring or additional safety features.



EnvironmentalSolutions

For a durable, long lasting opening that will endure through the harshest conditions.



FlexibleConfigurations

For a unique opening designed with special door height, width and thickness.

Contents

Solution applications	4
Brand solution chart	5

Quiet solutions	6-9
Von Duprin	7-8
LCN	9

Custom décor	10-13
Schlage	11
Von Duprin	12
LCN	13

High security and safety	14-17
Schlage	15
Von Duprin	16
LCN	17

Environmental solutions	18-21
Schlage	19
Von Duprin	20
LCN	21

Flexible configurations	22-25
Schlage	23
Von Duprin	24
LCN	25



Allegion offers solutions to meet just about any application – from the classroom to large stadiums. So whether you are renovating a section in your building or starting on a new construction project, we have multiple product solutions designed to meet your unique requirements.

Hospitals

Patient care is the primary focus of every hospital. Our products are designed to complement your efforts, reduce stress and help improve patient recovery time.

Schools and universities

We offer a wide array of solutions designed to keep traffic flow efficient, as well as high security for all students, staff and visitors.

Government and military

Military bases, government offices and other public facilities have unique and varied needs. We offer secure and cost effective solutions for these applications.

Stadiums

Stadiums require products that are as tough as the athletes on the field with the ability to provide efficient flow for the fans in attendance. We have solutions designed to meet these requirements with the ability to display some team pride.

Entertainment venues

Theaters and other entertainment venues need to meet unique crowd flow requirements and be quiet enough as to not intrude on the stage performance. We have solutions for these unique openings so the focus can remain on the entertainment.

Places of worship

Noise reduction is essential in churches and places of worship. We offer a wide selection of quiet solutions that can help keep the congregation secure and easily usher them in and out of the building for services or quiet reflection.



Museums

High security and noise reduction are essential requirements for any museum. We offer products that quietly complement the artwork and other collections inside these vital institutions.

Hospitality

Solutions for ballrooms, conference rooms and lobbies need to help move people in a safe, efficient and quiet manner. We offer solutions designed to improve your overall guest experience.

Commercial

Commercial buildings have unique security needs at external entrances, interior offices, supply rooms and areas housing sensitive or valuable materials. We offer unique solutions for every entry in the building.



VON DUPRIN®

LCN®



Quiet Solutions

- The Quiet One®
- Quiet Electric Latch (QEL)
- Pneumatic Controlled Exit Device (PN)
- Concealed Vertical Cable System (CVC)

- Pneumatic powered auto operators
- Slam-free door control



Custom Décor

- Custom coining on keys

- Custom colors
- Custom graphics

- Concealed auto operators
- Concealed mechanical closers
- Pacer - concealed mechanical closer (for narrow transom aluminum frames)
- Concealed hold open closer for fire and life safety
- Custom colors
- Custom plating finish



High Security and Safety

- Classroom security
 - L Series mortise locks
 - ND Series engraved rose
- Anti-Ligature levers and knobs
- MultiPoint lock security
- Primus XP cylinders with UL437 compliant features
- Antimicrobial finish
- Vandlgard®
- Tactile warning / knurling levers and knobs

- Chexit®
- Classroom security indicator
- XP98/99
- Dogging indicator
- Safety glow
- Antimicrobial finish

- High security product lines
- Fire and life safety series
- Pneumatic operator with “blow open” control box
- Pneumatic operators for hazardous areas
- Automatic closers and door release magnets for lockdown
- High traffic hold open sensor



Environmental Solutions

- MultiPoint lock tornado
- Wind-rated locks

- Windstorm device
- Hurricane device
- Drainage holes
- Waterproof switches
- Protective clear coat
- Pneumatic controlled exit device (PN)
- Safety glow

- All weather fluid
- Special rust inhibitor (SRI)
- Slam-free door control
- Advanced variable backcheck



Flexible Configurations

- Primus XP conventional cylinders and full size interchangeable cores (FSIC)
- Split trims
- Special door thickness
- Schlage modular cylinders

- Special door width, height, and thickness

- Special templates for auto operators/mechanical closers
- Pacer - concealed mechanical closers (for narrow transom aluminum frames)
- Closer for double acting door (6030)
- Telephone hold open closer
- Wall pocket mount closer
- Remote to close door (SE or ME sentronic products)



Quiet Solutions

Von Duprin 7-8
LCN 9

Typical applications include:

- Hospital patient areas
- Libraries & classrooms
- Auditoriums & theaters
- Churches & chapels
- Ballrooms & large conference areas

Provide solutions that are quiet. Hospital units, libraries, churches or even concert halls have unique requirements, including noise reduction. We understand that these spaces are personal and have developed innovative solutions to help reduce intrusive sounds. For a quiet opening that is not intrusive and complements the work to be done, consider our quiet solutions products.



VON DUPRIN® solutions:

- The Quiet One®
- Quiet electric latch (QEL)
- Pneumatic controlled exit device (PN)
- Concealed vertical cable system (CVC)



The Quiet One®

The everyday use of a mechanical push pad can be noisy. High traffic applications and heavy abuse can cause the exit device to be slammed into hundreds of times per day. The Von Duprin 98/99 and 33A/35A Series exit devices are designed to accommodate this abuse, and utilize a mechanical damper to provide customers with a quieter solution.

- Innovative damper allows for quiet non-disruptive use.
- Damper decelerates the push pad on the push and return stroke, eliminating most of the noise associated with exit device operation.
- Standard on all 98/99 and 33A/35A Series exit devices.

Quiet electric latch (QEL)

Traditional electronic latch retraction utilizes magnetic solenoids that require a high voltage inrush. When activated, the retraction of the solenoid results in a loud and abrupt sound. Motor driven latch retraction is more efficient and provides a much quieter solution with less of a disturbance.

- Lower amperage requirements allow the QEL option to work with any new or existing Von Duprin or Schlage Power Supply.
- On-board diagnostics provide visual indication if the system is installed incorrectly or encounters a user error.
- Automatically calibrates for your specific opening and remove the adjustments required to the dogging rod.
- Option on all 98/99, 33A/35A, and 94/95 Series exit devices.

Note: Retrofit kits are available to upgrade existing mechanical or electronic latch (EL) devices.



98/99 exit device



VON DUPRIN® solutions:

- The Quiet One®
- Quiet electric latch (QEL)
- Pneumatic controlled exit device (PN)
- Concealed vertical cable system (CVC)

Pneumatic controlled exit device (PN)

The pneumatic latch retraction solution is ideal for applications that require quiet and electronic latch retraction but are in hazardous areas where electronics are not permitted. The pneumatic device provides efficient latch retraction through the use of compressed air.

- For applications such as clean rooms, testing and waste water treatment facilities, and areas that use or store flammable materials.
- Pneumatic solenoid retracts latch bolt for momentary or prolonged periods.
- Available with mechanical or pneumatic dogging.
- Available on both panic and fire exit hardware devices.
- Option on all 98/99 and 33A/35A Series exit devices.

Concealed vertical cable system (CVC)

Traditional concealed or surface vertical latching devices use rigid aluminum or steel rods to retract the latches for both two point and less bottom rod applications. Rods can rattle within the door, or when applied to the surface of the door often become a nuisance in areas requiring a quiet environment. The Concealed Vertical Cable device is a quieter solution over traditional surface and concealed rods. Enclosed cables do not lift up or down like traditional rods and instead rest quietly within the door.

- Concealed cables eliminate traditional rods and reduce the overall complexity during installation and maintenance.
- Latches operate independently – damage/abuse will not throw the system out of adjustment.
- Single attachment point provides adjustment to push pad sensitivity.
- Bottom latch adjustable while the door is hanging.
- Available on 98/9949 and 33/3549A Series – integrates with existing exit devices and trims.

Note: Integrated Steelcraft Solution – Cable system can be ordered pre-installed in door direct from Steelcraft.



33A/35A exit device



LCN® solutions:

- Pneumatic powered auto operators
- Slam-free door control



Automatically open a door, but do it quietly

Pneumatic powered auto operators

LCN pneumatic powered auto operators use compressed air to power the operator; therefore, are quieter compared to electric counterparts that use noisy motors and gearboxes.

- Uses the power of pressurized air to do the work of automatically opening the door.
- Lowest noise level when facilities have their own pressurized air supply and use 7901 and 7902 control boxes.
- Cost effective for multi-door solutions.
- Coordinates with Von Duprin pneumatic exit devices.
- Available on pneumatic powered auto operators 2610, 4810, 4820 and 4840.

Control the door that doesn't require a closer

Slam-free door control

Opening or closing a door quickly can be noisy. For free opening doors, LCN has a unique closer design solution where the spring is removed and hydraulics control the opening and closing speed, reducing noise.

- For doors you want to control, but aren't required to use a closer by code.
- Available on 4000 Series closers (except 4030) with ST 2687.



4810 Heavy duty low energy pneumatic automatic operator





CustomDécor

Schlage 11
Von Duprin 12
LCN 13

Typical applications include:

- Sports arenas & stadiums
- Theme parks & entertainment venues
- Schools/universities
- Museums
- Hotels
- Restaurants
- Day care facilities & preschools
- Facilities where unique architectural decor is desired



Provide solutions that inspire. The right environment can inspire ideas that change the world. We realize you have spaces that are personal and have unique requirements. So if color, texture or style help inspire progress then we can help. Our custom solutions can help provide an atmosphere that allows for creative expression without being intrusive. To enhance a building's personality or blend with the environment, consider our custom solutions products.



SCHLAGE solutions:

- Custom coining on keys



Custom coining on keys

Offer a powerful marketing tool that can drive return business to one of your facilities. Schlage offers custom key coining that will enhance your professional appearance and build your brand's equity.





VON DUPRIN® solutions:

- Custom colors
- Custom graphics

Custom colors

Architects often go to great lengths to make the interior of a building unique or inviting. Von Duprin offers custom colors to match the aesthetics of a building or blend with wall art or a mural. Custom colors can enhance a hotel or office building, or provide an entertaining and unique look for a children's museum or aquarium.

- Employ colors to create entryways that are fully integrated with brand and architectural color schemes.
- We offer a wide selection of durable powder coat finishes.
- More than 150 color options available matching to an industry RAL number.
- Option on all 98/99 and 33A/35A Series exit devices.

Custom graphics

Building owners take pride in their facility and often look for unique ways to make their building stand out. Custom graphics can be used to show pride in a university, support the home team in an arena, and even provide unique messaging on the exit device (example: "thank you & come again").

- Show off team pride, company logo or unique artwork.
- Laser etching on stainless steel or color graphic printing available.
- Unlike traditional printing methods, for graphic printing the artwork is an integral part of the powder coat rather than being applied just on the top of the trim.
- Ideal for sports teams, thematic or advertising applications.
- Option on all 98/99 and 33A/35A Series Exit Devices.



Customize a 98/99 Exit Device with your company logo or mascot



Customize a 98/99 exit device with your message (example: "thank you & come again")

LCN® solutions:

- Concealed auto operators
 - Concealed mechanical closers
 - Pacer - concealed mechanical closer
 - Concealed hold open closer
- Custom colors
 - Custom plating finish



Your design is the focus while function is concealed

Our products function best whether on stage or concealed behind your design. LCN has a broad portfolio of concealed automatic operators, mechanical closers and fire life safety products to fit your unique design needs.

Concealed auto operators

- Electromechanical and hydro pneumatic powered operators available for concealed applications.
- Available on pneumatic auto equalizer and senior swing product lines. Pneumatic (2610) installs directly into the frame and senior swing (2810, 2850, and 2860) becomes the header to improve appearance.
- Senior swing easily adapts to center pivot, offset pivot or butt hinge applications.

Concealed mechanical closers

- Options for aluminum, hollow metal or wood doors and frames.
- Can be used with hinge or pivot mounted door.
- 2010, 2210, 5010 require 4" head frame. 2030, 5030, 6030 require minimum 13/4" head frame. 3030, 3130 require minimum 4" top rail.
- Mounting clips for wood frames and other installation accessories available for unusual conditions.

Pacer – concealed mechanical closer

(for narrow transom aluminum frames)

- Allows appearance benefits of a concealed closer but designed to fit in a narrow transom of aluminum frames.
- Minimum of 13/4" transom required.
- Track style and regular arms. Smooth quiet door control with track arms.
- Double acting option for doors that open in both directions.

Concealed hold open closer (for fire life safety application)

- Meets virtually all life safety requirements, but stays concealed to meet your design requirements.
- Provides single point (3130 SE) or multi-point (2310 ME) hold open functionality.

Your design is the focus while function blends through color

Our products function best whether concealed or color matched to blend with your design. LCN provides the custom color options building owners, designers and architects seek to complement their work or add an extra pop of color.

Custom colors

- Provides ability to blend color with existing environment.
- Option on all mechanical closers and auto equalizers.
- More than 150 durable powder coat finish options available by matching to an industry RAL number. Powder coat finish has 4 times the industry standard for rust prevention.
- Ability to match a color chip for specific request, may have volume/lead time requirements.

Custom plating finish

- Provides ability to blend or gives a unique shiny appearance.
- Option on all metal covers, arms, fasteners and finish plates.
- 7 plating finishes available. Non plated components are powder coated to complement the plated finish.





HighSecurity and Safety

Schlage 15
Von Duprin16
LCN 17

Typical applications include:

- Hospitals
- Schools
- Military
- Commercial
- Retail

Keep your environment safer. Some areas need to be secured and monitored to discourage unauthorized visits. At the same time, doorways must be designed to lead everyone to safety in a clear and easy fashion. We understand that these spaces are personal and have unique security and safety requirements. If your opening requires extra security, monitoring or additional safety features, consider our high security and safety solutions products.





solutions:

- Classroom security
 - L Series mortise locks
 - ND Series engraved rose
- Anti-ligature levers and knobs
- MultiPoint lock security
- Primus XP cylinders with UL437 Compliant features
- Antimicrobial finish
- Vandlgard®
- Tactile warning / knurling on levers and knobs



Classroom security

Whether it's a kindergarten classroom or a college lecture hall, classroom doors require virtually unlimited access during school hours, but may also require limited access after school hours. These doors must also be able to lock down quickly and effectively from the inside, helping to protect the staff and students in case of an emergency.

L Series mortise locks

L Series mortise locks have multiple classroom security functions, including deadbolt models, available to suit specific school operational requirements. Inside levers are always free for immediate egress (fire life safety); therefore, the presence of an indicator provides at-a-glance verification of the locked/unlocked status of the classroom door.

ND Series engraved rose

The ND engraved rose provides clear direction for the teacher to safely and quickly secure the classroom. Specifically designed for classroom security functions, the inside rose has the word "lock" and a directional arrow engraved onto the surface.

Anti-ligature levers and knobs

Specifically designed for behavioral health applications, Schlage offers a solution including knobs, levers, thumbturns and cylinder rings designed to prevent self-induced injury through ligature strangulation (hanging).

- 500 suicides annually in hospitals, with doors and door hardware the most common anchor points for ligature-assisted suicides.
- Schlage anti-ligature products have 5 key features designed for patient safety.
- Available on Schlage L Series mortise locks as either complete lock or retrofit.
- Ives anti-ligature hospital-tip hinges also available.

MultiPoint lock security

MultiPoint lock security secures the door at three locations – traditional lock location on the side, along with the top and bottom of the door.

- Top and bottom latch controlled by lock lever – operates just like standard door.
- Vertical rods come pre-assembled in door simplifying installation.
- Available in all L Series mortise lock trims and finishes.

Primus XP cylinders with UL437 compliant features

Primus XP cylinders in the 20-5XX Series are designed and tested to comply with the stringent requirements of the UL437 standard. The standard calls for resistance to picking, drilling and other bypass techniques.

- Primus side bar enhances the pick resistance of a cylinder and allows for end user specific geographically exclusive areas.
- Anti-drill pins are inserted into the cylinder at several positions to resist drilling attacks as a method of cylinder bypass.
- The secondary locking mechanism side bar enhances the cylinder's ability to withstand cylinder bumping.

Antimicrobial finish

Hospitals and public facilities often go to great lengths to prevent the spread of bacteria and germs. Schlage's antimicrobial finish helps to provide a greater level of protection.

- Ideal for healthcare, education and good service applications.
- Helps inhibit the growth of bacteria and germs.
- Available on AL, B500/B600/B700/B800, L, and ND Series Schlage locks.

Vandlgard®

Vandlgard® option is ideal for areas subject to abuse or anywhere vandalism is likely to be present, such as schools, universities, offices and commercial/public buildings. Vandlgard® prevents damage to internal lock components caused by excessive force from hitting or standing on the lever to gain access.

- Reduces potential for lock damage during forced entry attempts.
- Discourages vandalization through increased difficulty of break-in.
- Vandlgard® functions maintain total key system and architectural design compatibility.
- Available on most functions of L Series mortise locks and most popular function of ND Series cylindrical locks.

Tactile warning / knurling on levers and knobs

Provides a warning to the visually impaired for openings that lead to a potentially dangerous or prohibited area.

- Tactile warning or knurling is a textured surface applied to a lever or knob to provide warning to the visually impaired.
- Available option on AL, L, ND and S Series locks.

VON DUPRIN® solutions:

- Chexit®
- Classroom security indicator
- XP98/99
- Dogging indicator
- Safety glow
- Antimicrobial finish

Chexit®

Delayed egress is required to temporarily prevent individuals from exiting a facility, while still meeting fire/life safety needs. The Chexit® by Von Duprin provides a delayed egress solution with unique options to fit your unique facility needs.

- Designed for use on delayed exit applications.
- Ideal for controlled or high security areas.
- All controls, auxiliary locking, local alarm, and remote signaling are self-contained.
- Optional cylinder dogging available.
- Meets requirements of NFPA 101 "special locking arrangement."
- Option on 98/99 Series exit devices.

Classroom security indicator

In the event of an emergency, classrooms need to be immediately secured for the safety of teachers and students. For both new construction, and aftermarket, Von Duprin offers a classroom security option with visual status indication.

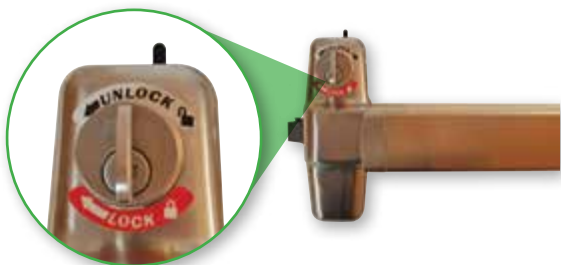
- Mechanical lockdown security solution.
- Cost-effective alternative to electrical security options.
- Lock/unlock indicator for quick visual door security assessment.
- 180-degree thumbturn rotation for intuitive user interface.
- Option on 98/99 Series rim exit devices.

Note: Retrofit kits are available to upgrade existing Von Duprin exit devices.

XP98/99

When a rim exit device is preferred, but greater security is required, the XP98/99 delivers superior performance.

- Delivers a static load force resistance of over 2,000 pounds.
- Two-piece latch forms a 90° angle to strike pad, making the latch twice as secure.
- The smart latch changes shape when subjected to external forces to withstand attack and remain secure.
- Available on 98/99 Series rim exit devices.



Dogging indicator

Exit devices are commonly dogged open during the normal operating hours of a facility. These openings need to be secured after-hours. The special dogging indicator provides a visual LED indication to show whether or not the exit is dogged. Visual indication helps to reduce the amount of time it takes to inspect a facility.

- Monitor dogging status without a control panel.
- Red indicator light visible over 50 feet away.
- Available on 98/99 Series panic exit devices.

Safety glow

In the event of a fire or other emergency situation, facilities can lose power or hallways can fill with smoke. Power failure and smoke can make exit devices and signs difficult to see. Safety glow provides an additional level of visual identification in the event of an emergency.

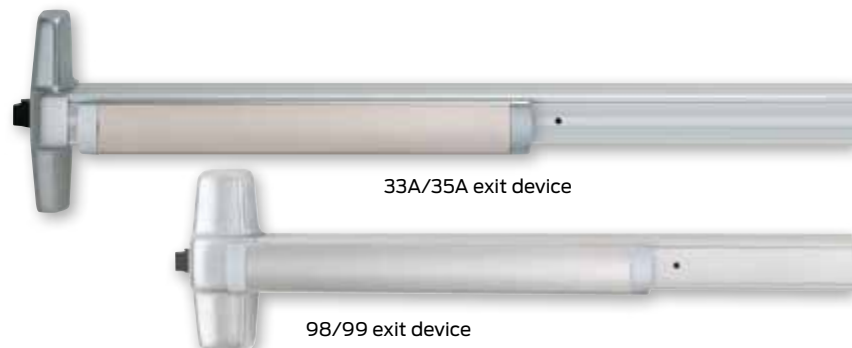
- Shows exit door location in darkness or smoke.
- Developed to meet MEA standards.
- Requires no batteries or electronics; the coating is charged when exposed to light.
- Available on 98/99 and 33A/35A Series exit devices.

Antimicrobial finish

Hospitals and public facilities often go to great lengths to prevent the spread of bacteria and germs.

Von Duprin's Antimicrobial Finish helps to provide a greater level of protection.

- Ideal for healthcare, education and food service applications.
- Helps inhibit the growth of germs and bacteria.
- Available on 98/99 and 33A/35A Series exit devices.



LCN® solutions:

- High security product lines
- Fire and life safety series
- Pneumatic operator with “blow open” control box
- Pneumatic operators for hazardous areas
- Automatic closers and door release magnets
- High traffic hold open sensor



Prevent tampering and vandalism

High security product lines

Certain areas are more prone to high abuse. Minimize or prevent tampering and vandalism with LCN's forged steel double-lever arms and heavy gauge metal security covers.

- Used in correctional facilities, high schools, colleges, airports, or any location where you want to limit tampering or abuse.
- Available in concealed or surface mounted options.
- Use TORX® tamper resistant machine screws.
- Heavy gauge steel cover with attachment points for all surface mount models.
- Track closer use jam resistant track and tamper resistant arm / roller assembly.
- All adjustments are protected when installation is complete.
- Available with Closer Series 2210, 4210, 4210/T, 4510, 4510/T.

Solutions for fire-related emergencies

In the unfortunate case of a fire, the building openings may need to react differently. In some cases doors need to open to work with smoke evacuation systems while other openings may need to close immediately to prevent the spread of fire.

Fire life safety series

- LCN fire life safety closers and door release magnets can network into existing systems so when a fire-related emergency occurs doors can be closed automatically.
- The LCN SE and ME combine a heavy duty closer with electronically controlled hold open functions to control fire and smoke barrier doors. The SE has a single hold open point and the ME can be held open at multiple points.
- The magnets work with manual door closers to provide single point hold open function.

Pneumatic operator with “blow open” control box

- Door operator can be controlled by the building smoke evacuation system to open doors automatically to allow fresh air into the system, keeping the area safe in case of a fire.
- Optional door position switch (DPS) allows communication back to the system when door is open.
- Available with pneumatic operator series 2610, 4810, 4820 and 4840.

Pneumatic operators for hazardous areas

Foresee emergency situations before they happen. LCN Pneumatic Operators run off a control box with electronics that are located remotely keeping electricity away from an at risk environment.

Automatically close your doors in a lockdown scenario

Automatic closers and door release magnets

Buildings today must be designed to incorporate the latest in security. LCN automatic closers and door release magnets network into existing systems so when an emergency occurs; you have control to automatically close doors to ensure lockdown can occur.

- In a lockdown scenario doors must be closed before they can be locked. LCN Automatic Closers and Door Release Magnets should be a component of your overall lockdown solution.
- The LCN SE and ME Sentronic Products combine a heavy duty closer with electronically controlled hold open functions to lockdown doors. The SE has a single hold open point and the ME can be held open at multiple points.
- The magnets work with manual door closers to provide single point hold open function.

High traffic solution for improving flow in typical and emergency situations

High traffic hold open sensor

One of the goals of high traffic areas is to ensure that people keep moving. Holding open or opening doors as people exit slows down egress. LCN's hold-open sensor activated (HSA) device has a sensor that recognizes if an occupant is still in a doorway; therefore the door remains open. Ideal for hospitals, schools, movie theaters, auditoriums, assisted living facilities or emergency exit doors where a large number of people may need to exit quickly. Available on HSA 4310 and 4410 Series.



4210 high security closer



Environmental Solutions

Schlage19
Von Duprin 20
LCN21

Typical applications include:

- Outdoor or wet locations
- Pools
- Aquariums
- Water parks
- Zoos
- Hospitals
- Libraries
- Museums

Protect your investment. Water, salt, chemicals or the wrath of Mother Nature can impact the performance of products in your facility. We understand each geographic location and the surrounding environment creates unique requirements. So if your application requires rust inhibitors, storm resistance or bans electricity, we can help. For a durable, long lasting opening that will endure through some of the harshest conditions, consider our environmental solutions products.





solutions:

- MultiPoint lock tornado
- Wind-rated locks



MultiPoint lock tornado

Specifically designed for FEMA361 and ICC500 storm shelter applications, Schlage's MultiPoint lock tornado is designed to withstand the most powerful EF5 tornadoes by providing protection from 250MPH winds and 15 pound projectile impacts up to 100MPH. MultiPoint lock tornado combines a three-point lock that secures the door at the top, bottom, and traditional lock location on the side with a tornado-resistant Steelcraft paladin door.

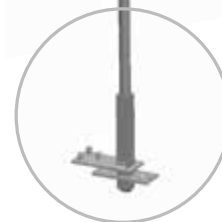
- FEMA 361 / 320 and ICC500 certified for use in tornado applications.
- All latches controlled by lock lever – operates just like standard door.
- Vertical rods come pre-assembled in door, simplifying installation.
- Available in all L-Series Mortise Lock trims and finishes.
- Available in 4-sided frame for storm shutter applications.

Wind-rated locks

Most Schlage commercial mortise, cylindrical, and tubular locks comply with building codes for hurricane wind resistance.



Schlage LM9300 MultiPoint solution





VON DUPRIN® solutions:

- Windstorm device
- Hurricane device
- Drainage holes
- Waterproof switches
- Protective clear coat
- Pneumatic controlled exit device (PN)
- Safety glow

Windstorm device

Severe wind and tornadoes requires a safe and secure shelter. Extreme conditions require specialized testing to both the exit device, and the total opening. Von Duprin offers certified and tested products to help keep students, employees, and other patrons safe in the event of an environmental incident.

- Provides superior protection from severe weather.
- Reinforced components help secure the building and its occupants from wind and debris.
- FEMA and ICC compliant.
- Option on WS98/9927 Series exit device.

Hurricane device

Coastal areas can be hit hard by severe storms and hurricanes. Openings need to pass extreme certifications to make sure everyone inside the building is safe and secure. Von Duprin offers solutions tested specifically for hurricane resistance.

Drainage holes

Exit devices mounted to exterior doors are often exposed to rain and other elements. Water can enter an exit device and cause critical components to potentially rust or function improperly. Drainage holes are available to allow the water to leave the exit to improve the life of the device.

- Assure exterior exit devices don't hold water in the mechanism case and rust the mechanics.
- Essential for products mounted on exterior doors to deliver long-lasting functionality and durability.
- Available on 98/99 and 33A/35A Series exit devices.

Water proof switches

Exit devices on the exterior of a building are often exposed to the weather. Humidity and heavy rain can find its way into the exit device and cause electronics to malfunction. Water proof switches help prevent the effects of humidity and rain.

- Designed to function safely in humid or wet conditions.
- Available on RX and LX switches.

Protective clear coat

Exit devices exposed to extreme conditions and weather need additional protection against the elements. Protective clear coat to the exterior of the exit device can help prevent the effects of weather or chemical corrosion.

- Clear protective coating improves chemical and corrosion resistance and provides antimicrobial protection.
- Available on 98/99 and 33A/35A Series exit devices.

Pneumatic controlled exit device (PN)

The pneumatic latch retraction solution is ideal for applications in hazardous areas where electronics are not permitted. The pneumatic device provides efficient latch retraction through the use of compressed air.

- For applications such as clean rooms, testing facilities, waste water treatment, and areas that use or store flammable materials.
- Pneumatic solenoid retracts latch bolt for momentary or prolonged periods.
- Available with mechanical or pneumatic dogging.
- Available on both panic and fire exit hardware devices.
- Option on all 98/99 and 33A/35A Series exit devices.

Safety glow

In the event of a fire or other emergency situation, facilities can lose power or hallways can fill with smoke. Power failure and smoke can make exit devices and signs difficult to see. Safety glow provides an additional level of visual identification in the event of an emergency.

- Shows exit door location in darkness or smoke.
- Developed to meet MEA standards.
- Requires no batteries or electronics, the coating is charged when exposed to light.
- Available on 98/99 and 33A/35A Series exit devices.



Safety glow

LCN® solutions:

- All weather fluid
- Special rust inhibitor (SRI)
- Slam-free door control
- Advanced variable backcheck



Reduce the need for seasonal adjustments

All weather fluid

Some buildings may require numerous door closer adjustments due to change in seasons. This can be an ongoing consumer of time and money. LCN all weather fluid is available on all mechanical closers and auto equalizers and works from -30 to 120 degrees Fahrenheit.

Special rust inhibitor (SRI)

Humid climates can create conditions for openings that deteriorate the life of the closer. LCN's special rust inhibitor provides a higher level of protection against weathering conditions.

- Available on mechanical closers.
- Powder coat finish is applied after SRI pretreatment providing higher level of protection over standard or powder coat finish alone.

Control the door that doesn't require a closer

Slam-free door control

Open or close a door quickly without being disruptive or causing damage in a high pressure or windy environment. For free opening doors, LCN has a unique solution where the spring is removed from a closer and hydraulics control the opening and closing speed.

- For doors you want to control, but aren't required to use a closer by code.
- Available on 4000 Series closers (except 4030) with ST 2687.

Decrease damage on high abuse doors

Advanced variable backcheck

LCN's advanced variable backcheck provides greater hydraulic resistance to prevent a door from slamming open, protecting people and assets.

- Typical backcheck engages at approximately 75 degrees of the opening cycle and uses hydraulics to slow the speed the door opens to minimize damage. Advanced variable backcheck adjusts engagement to 45 degrees to increase damage prevention.
- Ideal for exterior doors that could be subject to high winds or pressure differences that could cause the door to fly open.
- Available on 4111 closer series.



4040XP surface mounted closer





FlexibleConfigurations

Schlage	23
Von Duprin	24
LCN	25

Typical applications include:

- Restaurants
- Hotels
- Museums
- Stores & showrooms
- Churches & chapels
- Hospitals
- Military

Provide solutions that are flexible. Whether a job requires extra thick doors for protection from harsh environments or an opening wide enough to drive a forklift through, doorways can come in all shapes and sizes. We understand that job requirements can be very unique and offer flexible configurations to match any door thickness, width and height. For a unique opening that helps support the work to be done, consider our flexible configuration solutions products.





solutions:

- Primus XP® conventional cylinders and full size interchangeable cores (FSIC)
- Split trims
- Special door thickness
- Schlage modular cylinders



Primus XP conventional cylinders and full size interchangeable cores (FSIC)

Through an assignment process based on number of cylinders purchased, the geographically exclusive area for a specific side bit mill guarantees that no other key systems located within this exclusive area will have the same side bit mill. This greatly reduces the possibility of inadvertent key system interchange between unique key systems.

- Reduces the possibility of key system interchange to virtually zero.
- Enhances owner key control through using patented restricted blank and cut keys that are specific to their facility.
- Allows freedom to choose which Schlage distribution partner to use for purchases and service.
- Provides the ability to re-secure a door by rapidly changing the core when notified of a lost or stolen key.

Split trims

All Schlage locks are available with different trim and or finishes on the inside and outside of the same lock to allow different aesthetics on different sides of a door.

Special door thickness

Schlage mortise and cylindrical locks and deadbolts are available to support a door range thickness up to 6"

- Schlage L Series mortise locks support doors up to 4" thick (extended inside, outside, equally or differently).
- Schlage D and ND Series cylindrical locks support doors up to 6" thick (extended inside, outside, equally or differently).
- Schlage B600/700/800 Series deadbolts support doors up to 4" thick (extended equally only).
- Schlage mortise and rim cylinders accommodate extended range of door thicknesses.

Schlage modular cylinders

The unique design of the modular housings allows the same key-in-lever (KIL) cylinder design to be converted to a mortise or rim cylinder format quickly. This design flexibility covers finish and functionality with ease.





VON DUPRIN® solutions:

- Special door width, height, and thickness

Special door width, height, and thickness

Openings often have functional requirements that may go beyond the limits of standard door hardware. Von Duprin's flexible solutions allow you to configure your exit device for doors that are outside what is considered standard height, width and thickness.

Door width from 2 ft. – 6 Ft.

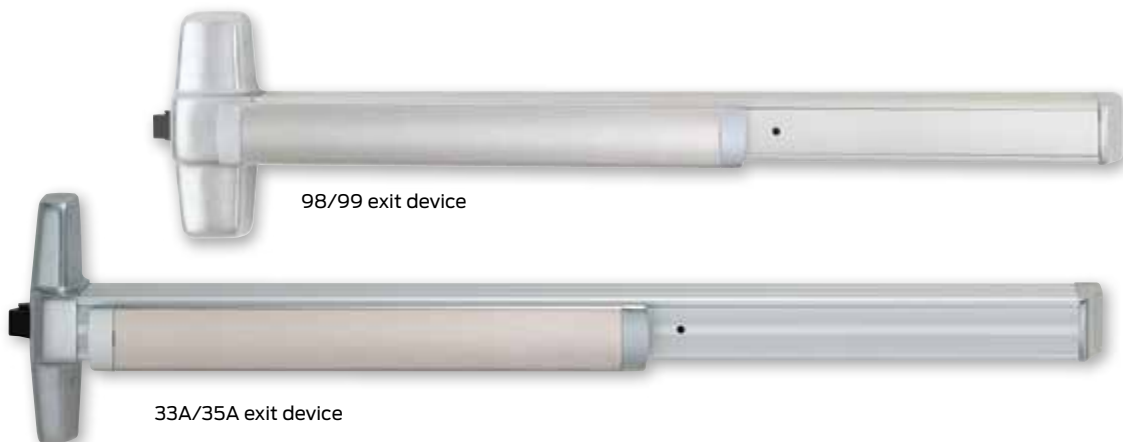
The width of a door can vary depending on the functional use of the opening. Wide doors are often used in manufacturing and industrial applications due to the frequent movement of large equipment and vehicles. A shorter 2 ft. device with a standard 3 ft. device is used in a 5 ft. opening to meet code requirements. The 5 ft. solution allows for the occasional movement of large equipment.

Door thickness

Unique conditions can require a door to be thicker than the industry standard. Sound proof rooms or large insulated freezers need a door thick enough to contain the sound or the temperature.

Taller than 10 ft. doors

Architectural openings often call for taller than standard doors to meet the aesthetic needs of a building. On doors that are greater than 10 ft. tall, surface vertical rods become quite an eyesore. Historically, concealed vertical rods would solve your aesthetic needs, but become an installation and maintenance hassle. The concealed vertical cable system is the perfect solution for these doors - short doors, tall doors and every height in between. It delivers the aesthetics you want out of a concealed system, without the installation and maintenance requirements of traditional rods.



LCN® solutions:

- Special templates
- Pacer - concealed mechanical closer
- Closer for double acting door
- Telephone hold open closer
- Wall pocket mount closer
- Remote to close door (SE or ME sentronic products)



Special templates

For non-standard doors, LCN has created solutions that fit the closing requirements of uncommon applications. Use one of LCN's thousands of special templates or work with our tech support group to create a solution for your unique mechanical or auto operator needs.

Pacer – concealed mechanical closer

(For narrow transom aluminum frames)

- Allows appearance benefits of a concealed closer but designed to fit in a narrow transom of aluminum frames.
- Minimum of 13/4" transom required.
- Track style and regular arms. Smooth quiet door control with track arms.
- Double acting option for doors that open in both directions.
- Standard for 2030, 5030, and 6030 concealed mechanical closers.

Closer for double acting door (6030)

Concealed heavy duty closer designed for doors that open in both directions and fit in narrow aluminum transom. Ideal for hospitals, manufacturing facilities and restaurants where doors open in both directions for maximized traffic flow.

Telephone hold open closer

Designed specifically to hold a door open a few degrees when it's unoccupied, forcing the occupant to pull the door closed to latch it. Originally designed for hotel telephone booths, ideal for retail dressing rooms, bathroom stalls or applications where you want the door to stay slightly open to let people know the area is not currently occupied.

Where space is limited and aesthetics is important

Wall pocket mount closer

Heavy duty closer that mounts in a wall pocket or on the perpendicular wall when standard mounting options are not available due to frame or space limitations.

- Designed for use with 7850 SEM wall magnet which releases the door when the fire alarm goes off and the 4000T closer ensures the door closes for a barrier door.
- Used to reliably control fire and smoke barrier doors with maximum swing of 90 degrees.
- Mounts to the wall with single lever arm and track mounted to the door.
- Improved aesthetics because the closer is on the adjacent wall so you don't see the closer when the door is held open.

Close the door remotely

Remote to close door (SE or ME sentronic products)

Sentronic products typically hold open the door until a fire alarm signal triggers release of the door and it will close. LCN's SE or ME offer you the ability to close the door with a remote located switch. Ideal for applications where someone needs to close the door from a remote location (i.e. Conference rooms, executive offices, etc.).



A blurred background image showing several people in professional attire, possibly in a meeting or office environment. The focus is on the text in the foreground.

It's your job. It's your space...
and **it's personal.**

Everyone's got a job to do. And the right environment helps everyone do a better job. Hospital units, libraries, churches or even concert halls have unique requirements. At Allegion, we understand that these spaces are personal and offer a wide array of solutions to meet your needs.



About Allegion

Allegion (NYSE: ALLE) creates peace of mind by pioneering safety and security. As a \$2 billion provider of security solutions for homes and businesses, Allegion employs more than 7,800 people and sells products in more than 120 countries across the world. Allegion comprises 23 global brands, including strategic brands CISA®, Interflex®, LCN®, Schlage® and Von Duprin®.

For more, visit www.allegion.com

aptiQ ■ LCN ■ **SCHLAGE** ■ STEELCRAFT ■ VON DUPRIN