

SCHLAGE

ND-Series

Service manual



Contents

5	Introduction	43	Trim assemblies
5	Lock assembly drawing index	44	Passage latch
5	Changes and additions	45	Exit lock
6	Lock assembly drawing index	46	Exit lock request-to-exit
11	Chassis	47	Exit lock—electrically locked (fail safe)
12	Passage latch	48	Exit lock— electrically locked (fail safe) request-to-exit
13	Exit lock/storeroom lock	49	Exit lock and storeroom lock— electrically unlocked (fail secure)
14	Exit lock/storeroom lock with request-to-exit	50	Exit lock and storeroom lock—electrically unlocked (fail secure) request-to-exit
15	Exit lock and storeroom lock— Electrically locked (fail safe)	51	Single dummy trim
16	Exit lock and storeroom lock— Electrically locked (fail safe) with request-to-exit	52	Exit lock with blank plate
17	Exit lock and storeroom lock— Electrically unlocked (fail secure)	53	Special—classroom exit lock
18	Exit lock and storeroom lock— Electrically unlocked (fail secure) with request-to-exit	54	Special—storeroom exit lock
19	Single dummy trim	55	Special—patio lock
20	Exit lock with blank plate	56	Bath/bedroom privacy lock
21	Special— classroom exit lock	57	Hospital privacy lock
22	Special— storeroom exit lock	58	Entrance/office lock
23	Patio, bath/bedroom privacy and hospital privacy lock	59	Entrance lock
24	Entrance/office and entrance lock	60	Vestibule lock
25	Vestibule lock	61	ND60 with closed outside lever: special
26	Store lock	62	Store lock
27	Classroom lock	63	Classroom lock
28	Special— classroom by storeroom lock	64	Special—classroom by storeroom lock
29	Special— communicating lock	65	Special—communicating lock
30	Special— communicating lock with Vandlgard®	66	Special—communicating lock with Vandlgard®
31	Corridor lock	67	Corridor lock
32	Classroom security lock	68	Classroom security lock
33	Institution lock	69	Storeroom lock
34	Faculty restroom lock	70	Storeroom lock with request-to-exit
35	Entrance/office and entrance lock with Vandlgard®	71	Storeroom lock— electrically locked (fail safe)
36	Vestibule lock with Vandlgard®	72	Storeroom lock—electrically locked (fail safe) with request-to-exit
37	Classroom lock with Vandlgard®	73	Storeroom lock—electrically unlocked (fail secure)
38	Classroom security lock with Vandlgard®	74	Storeroom lock—electrically unlocked (fail secure) with request-to-exit
39	Storeroom lock with Vandlgard®	75	Institution lock
40	Storeroom lock with Vandlgard®— Electrically locked (fail safe)	76	Faculty restroom lock
41	Storeroom lock with Vandlgard®— Electrically unlocked (fail secure)	77	Entrance/office lock with Vandlgard®
42	Corridor lock with Vandlgard®	78	Entrance lock with Vandlgard®
		79	Vestibule with Vandlgard®
		80	Classroom lock with Vandlgard®
		81	Classroom security lock with Vandlgard®
		82	Storeroom lock with Vandlgard®
		83	Storeroom lock with Vandlgard®— electrically locked (fail safe)
		84	Storeroom lock with Vandlgard®—electrically unlocked (fail secure)
		85	Corridor lock with Vandlgard®

86	Parts and kits
86	Full size IC and SFIC (small format interchangeable core) configurations
87	Lever designs
87	Tactile warning
88	Competitor cylinder options
88	Spring cage and tailpiece for competitor cylinder options
89	Roses
89	Cylinders
90	Latches
90	Installation tools and kits
92	Strikes
93	Screws, screw packs and special parts
94	Finishes
94	Finish codes and descriptions
94	Ordering procedures
95	Limited warranty

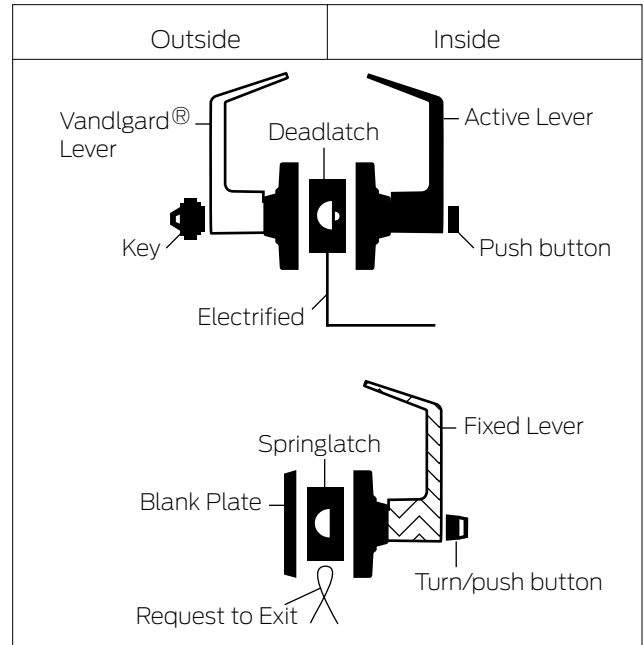
Introduction

This manual contains a complete listing of ND-Series (Grade 1) cylindrical lock parts and assemblies manufactured by the Schlage Lock Company. This edition lists components of ND-Series locks manufactured after November, 2003.

This manual provides exploded views of each lock chassis and trim assembly with an accompanying chart to identify parts for replacement purposes, along with lock trim ordering procedures, general cylinder information, and all auxiliary components of the ND-Series cylindrical locks.

Standard Features*	
Certifications	ANSI A156.2, 2003, Series 4000, Grade 1, UL listed for 3-hour fire door
Latch	1½" x 2¼", Square corner faceplate, 1" housing diameter, ½" throw
Strike	1¼" x 47⁄8", ANSI, Square corner, no box
Backset	2¾"
Cylinder	6-Pin solid brass, keyed 6-pin, C123 keyway, keyed different (KD)**
Door Range	Standard Lock Functions: 1⅝" – 2⅛" Vandlgard® Lock Functions: 1⅝" – 2⅛" ND85: 1¾" – 2"
Keys	Two nickel silver cut keys per lock, 6-pin, C123 section**

* Locks are furnished with standard features unless otherwise specified.
 ** Items specified in C keyway will be furnished with cylinder keyed 5-pin and with 5-pin keys unless otherwise specified.



Lock assembly drawing index


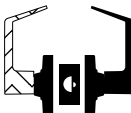
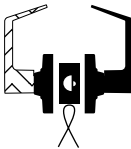

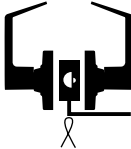

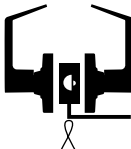

The Lock Assembly Drawing Index provides illustrations and textual descriptions of available functions. Page numbers for full trim and chassis drawings are referenced.

Changes and additions

Additions		
Lock function	Additional available feature	Notes
All functions	Hassle free inside anti-rotation plate installation Improved door thickness adjustment Lever catch wear remedy	Installation of the inside anti-rotation plate is aided by an insert on the inside hub allowing for hands-free installation. Door thickness adjustment is more straightforward with the redesign of the outside housing and the addition of a gauge insert. A spacer is added on inside and outside spring cage assemblies to provide a more firm lever fit, thereby reducing wear on the lever catch.

Changes		
Lock function	Amended text	Notes
All functions	ND-Series levers mechanical warranty is changed from seven (7) to ten (10) years.	A 10-year limited mechanical warranty is provided for ND-Series locks manufactured after October 1, 2012. Refer to "Limited warranty" on page 95 for complete details.

Lock assembly drawing index

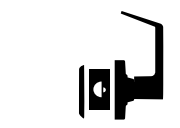
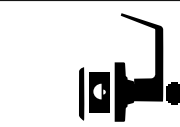
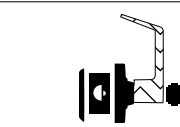
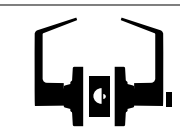
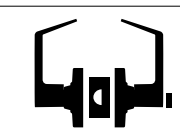
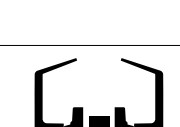
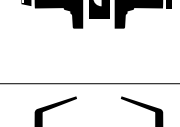
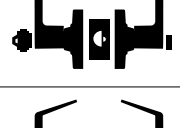

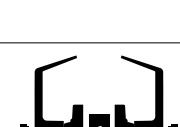

Function		ANSI A156.2, 1996, Series 4000, Grade 1				Trim	Chassis
Schlage	ANSI	Description	Outside function		Inside function	Page	Page
ND10	F75	Passage latch	Lever is always unlocked.		Lever is always unlocked and is always free for immediate egress.	44	12
ND12	F89	Exit lock	Lever is fixed.		Lever is always unlocked and is always free for immediate egress.	45	13
ND12-RX		Exit lock with request to exit	Same as ND12.		Same as ND12. A microswitch attached to the chassis is activated when the lever is rotated. The switch signals use of the lever to security systems allowing non-disruptive egress.	46	14
ND12EL		Exit lock—electrically locked (fail safe)	Lever is continuously locked by electric current until unlocked by switch or power failure.		Lever is always unlocked and is always free for immediate egress.	47	15
ND12EL-RX		Exit lock—electrically locked (fail safe) with request to exit	Same as ND12EL.		Same as ND12EL. A microswitch attached to the chassis is activated when the lever is rotated. The switch signals use of the lever to security systems allowing non-disruptive egress.	48	16
ND12EU		Exit lock—electrically unlocked (fail secure)	Lever is continuously locked mechanically until unlocked by electric current.		Lever is always unlocked and is always free for immediate egress.	49	17
ND12EU-RX		Exit lock—electrically unlocked (fail secure) with request to exit	Same as ND12EU.		Same as ND12EU. A microswitch attached to the chassis is activated when the lever is rotated. The switch signals use of the lever to security systems allowing non-disruptive egress.	50	18
ND170		Single dummy trim	Inactive trim for one side of door. Use for door pull or as matching inactive trim.			51	19

Note: Any function with a deadlatch locks the latchbolt when door is closed. See page 5 for identification.

* Available with Small Format Interchangeable Core.

† Caution: These locks on residences and any door in any structure which is used for egress are a life safety hazard in times of emergency and their use is not recommended. Installation should be in accordance with existing codes only.

Lock assembly drawing index



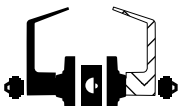


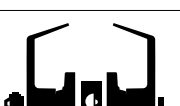
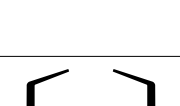
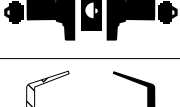
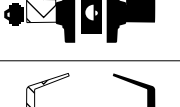
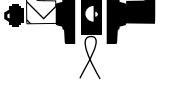

Function		ANSI A156.2, 1996, Series 4000, Grade 1				Trim	Chassis
Schlage	ANSI	Description	Outside function		Inside function	Page	Page
ND25		Exit lock with blank plate	Blank plate.		Inside lever is always unlocked and is always free for immediate egress.	52	20
ND25 x 70		Classroom exit lock† per XN12-004	Blank plate.		Key locks or unlocks lever.	53	21
ND25 x 80		Storeroom exit lock† per XN12-005	Blank plate		Key retracts latch. Lever is fixed.	54	22
ND30		Patio lock per XN12-007			Push-button locks outside lever. Turning inside lever or closing door releases button.	55	23
ND40	F76	Bath/bedroom privacy lock	Can be opened from outside with small screwdriver or emergency release tool.		Push-button locks outside lever. Turning inside lever or closing door releases button. Inside lever is always free for immediate egress.	56	23
ND44		Hospital privacy lock	Unlocked from outside by turning emergency turn-button.		Push-button locks outside lever. Turning inside lever or closing door releases button. Inside lever is always free for immediate egress.	57	23
ND50	F82	Entrance/office lock*	Lever is unlocked with key when push-button is pushed.		Push-button locks outside lever. Turning inside lever releases button. Inside lever is always free for immediate egress.	58	24
ND53	F109	Entrance lock*	Key retracts latch when button pushed and turned. Lever is unlocked with key when push-button is pushed.		Turn/push-button: Pushing and turning button locks outside lever until manually unlocked. Push-button: pushing button locks outside lever until unlocked by turning inside lever. Inside always free for immediate egress.	59	24
ND60	F88	Vestibule lock*	Latch retracted by key when locked by inside key.		Inside lever is always unlocked and is always free for immediate egress. Key locks and unlocks outside lever.	60	25
ND60		Vestibule lock with closed lever outside per XN12-001	Same as ND60 except outside lever is closed.		Same as ND60. Inside lever is always free for immediate egress.	61	25

Note: Any function with a deadlatch locks the latchbolt when door is closed. See page 5 for identification.

* Available with Small Format Interchangeable Core.

† Caution: These locks on residences and any door in any structure which is used for egress are a life safety hazard in times of emergency and their use is not recommended. Installation should be in accordance with existing codes only.

Lock assembly drawing index

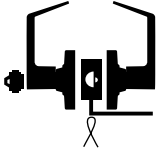
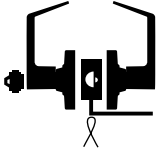
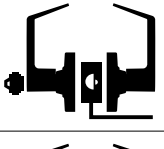
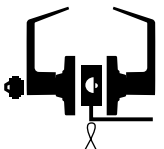
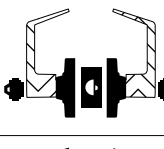
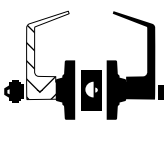
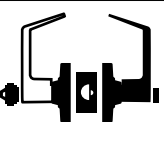
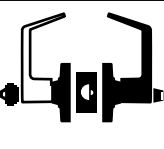
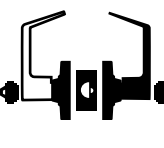
Function		ANSI A156.2, 1996, Series 4000, Grade 1				Trim	Chassis
Schlage	ANSI	Description	Outside function		Inside function	Page	Page
ND66	F91	Store lock*†	Key locks or unlocks both levers simultaneously.		Key locks or unlocks both levers simultaneously.	62	26
ND70	F84	Classroom lock*	Outside lever locked or unlocked by key.		Inside lever is always unlocked and always free for immediate egress.	63	27
ND70 x 80		Classroom by Storeroom lock† per XN12-006	Outside lever locked or unlocked by key.		Key in fixed inside lever retracts latch.	64	28
ND72		Communicating lock*† per XN12-002	Outside lever only locked or unlocked by key.		Inside lever only locked or unlocked by key.	65	29
ND72		Communicating lock with Vandlgard®*† per XN12-003	Same as ND72. Vandlgard allows outside spindle to disengage from latch when locked.		Same as ND72. Vandlgard allows inside spindle to disengage from latch when locked.	66	30
ND73	F90	Corridor lock*	Locked or unlocked by outside key. When locked by key it can only be unlocked by key.		Push-button locks outside lever. Turning lever or closing door releases button. Inside lever is always unlocked and is always free for immediate egress.	67	31
ND75		Classroom security lock*	Outside lever locked or unlocked by key in either lever.		Key locks or unlocks outside lever. Inside lever is always unlocked and is always free for immediate egress.	68	32
ND80	F86	Storeroom lock*	Lever is fixed. Entrance by key only.		Inside lever is always unlocked and is always free for immediate egress.	69	13
ND80-RX		Storeroom lock* with request to exit	Same as ND80.		Same as ND80. A microswitch attached to the chassis is activated when the lever is rotated. The switch signals use of the lever to security systems allowing non-disruptive egress.	70	14
ND80EL		Storeroom lock—electrically locked (fail safe)*	Lever is continuously locked electrically. Unlocked by switch or power failure. When locked, key retracts latch.		Inside lever is always unlocked and is always free for immediate egress.	71	15

Note: Any function with a deadlatch locks the latchbolt when door is closed. See page 5 for identification.

* Available with Small Format Interchangeable Core.

† Caution: These locks on residences and any door in any structure which is used for egress are a life safety hazard in times of emergency and their use is not recommended. Installation should be in accordance with existing codes only.

Lock assembly drawing index


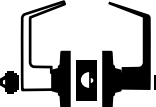

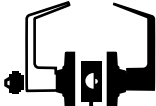



Function		ANSI A156.2, 1996, Series 4000, Grade 1			Trim	Chassis	
Schlage	ANSI	Description	Outside function		Inside function	Page	Page
ND80EL-RX		Storeroom lock— electrically locked (Fail safe)* with request to exit	Same as ND80EL-RX.		Same as ND80EL. A microswitch attached to the chassis is activated when the lever is rotated. The switch signals use of the lever to security systems allowing non-disruptive egress.	72	16
ND80EU		Storeroom lock—electrically unlocked (Fail secure)*	Lever is continuously locked mechanically until unlocked by electric current. When locked, key retracts latch.		Inside lever is always unlocked and is always free for immediate egress.	73	17
ND80EU-RX		Storeroom lock—electrically unlocked (Fail secure) with request to exit*	Same as ND80EU-RX.		Same as ND80EU. A microswitch attached to the chassis is activated when the lever is rotated. The switch signals use of the lever to security systems allowing non-disruptive egress.	74	18
ND82	F87	Institution lock*†	Lever is fixed. Entrance by key only.		Lever is fixed. Exit by key only.	75	33
ND85		Faculty restroom lock	Lever is fixed. Entrance by key only.		Push-button activates occupancy indicator, allowing only emergency master key to operate. Turning lever or closing door releases indicator. Spanner-button rotation provides lock-out feature. Inside lever is always free for immediate egress.	76	34
ND91	F82	Entrance/office lock with Vandlgard®*	Lever is unlocked with key when push-button is pushed. Vandlgard allows outside spindle to disengage from latch when locked.		Push-button locks outside lever. Turning inside lever releases button. Inside lever is always free for immediate egress.	77	35
ND92	F109	Entrance lock with Vandlgard®*	Key retracts latch when button pushed and turned. Lever is unlocked with key when push-button is pushed. Vandlgard allows outside spindle to disengage from latch when locked.		Turn/push-button: Pushing and turning button locks outside lever until manually unlocked. Push-button: pushing button locks outside lever until unlocked by turning inside lever. Inside always free for immediate egress.	78	35
ND93	F88	Vestibule lock with Vandlgard®*	Latch retracted by key when locked by inside key. Key locks and unlocks lever. Vandlgard allows outside spindle to disengage from latch when locked.		Inside lever is always unlocked and is always free for immediate egress.	79	36

Note: Any function with a deadlatch locks the latchbolt when door is closed. See page 5 for identification.

* Available with Small Format Interchangeable Core.

† Caution: These locks on residences and any door in any structure which is used for egress are a life safety hazard in times of emergency and their use is not recommended. Installation should be in accordance with existing codes only.

Lock assembly drawing index

Function		ANSI A156.2, 1996, Series 4000, Grade 1				Trim	Chassis
Schlage	ANSI	Description	Outside function		Inside function	Page	Page
ND94	F84	Classroom lock with Vandlgard®*	Outside lever locked or unlocked by key. Vandlgard allows outside spindle to disengage from latch when locked.		Inside lever is always unlocked and is always free for immediate egress.	80	37
ND95		Classroom security lock with Vandlgard®*	Outside lever locked or unlocked by key in either lever. Vandlgard allows outside spindle to disengage from latch when locked.		Key locks or unlocks outside lever. Inside lever is always unlocked and is always free for immediate egress.	81	38
ND96	F86	Storeroom lock with Vandlgard®*	Lever always disengaged. Entrance by key only. Vandlgard allows outside spindle to disengage from latch when locked.		Inside lever is always unlocked and is always free for immediate egress.	82	39
ND96EL		Storeroom lock with Vandlgard®—electrically locked (Fail safe)*	Lever is continuously locked electrically. Unlocked by key or power failure or switch. Auxiliary latch deadlocks latchbolt when door is closed. Vandlgard allows outside spindle to disengage from latch when locked.		Inside is always unlocked and free for immediate egress.	83	40
ND96EU		Storeroom lock with Vandlgard®—electrically unlocked (Fail secure)*	Lever is continuously locked until unlocked by key or electric current. Auxiliary latch deadlocks latchbolt when door is closed. Vandlgard allows outside spindle to disengage from latch when locked.		Inside is always unlocked and free for immediate egress.	84	41
ND97		Corridor lock with Vandlgard®*	Locked or unlocked by key. When locked by key, outside lever can only be unlocked by key. Vandlgard allows outside spindle to disengage from latch when locked.		Push-button locking. Turning lever or closing door releases button. Inside is always unlocked and free for immediate egress.	85	42

Note: Any function with a deadlatch locks the latchbolt when door is closed. See page 5 for identification.

* Available with Small Format Interchangeable Core.

† Caution: These locks on residences and any door in any structure which is used for egress are a life safety hazard in times of emergency and their use is not recommended. Installation should be in accordance with existing codes only.

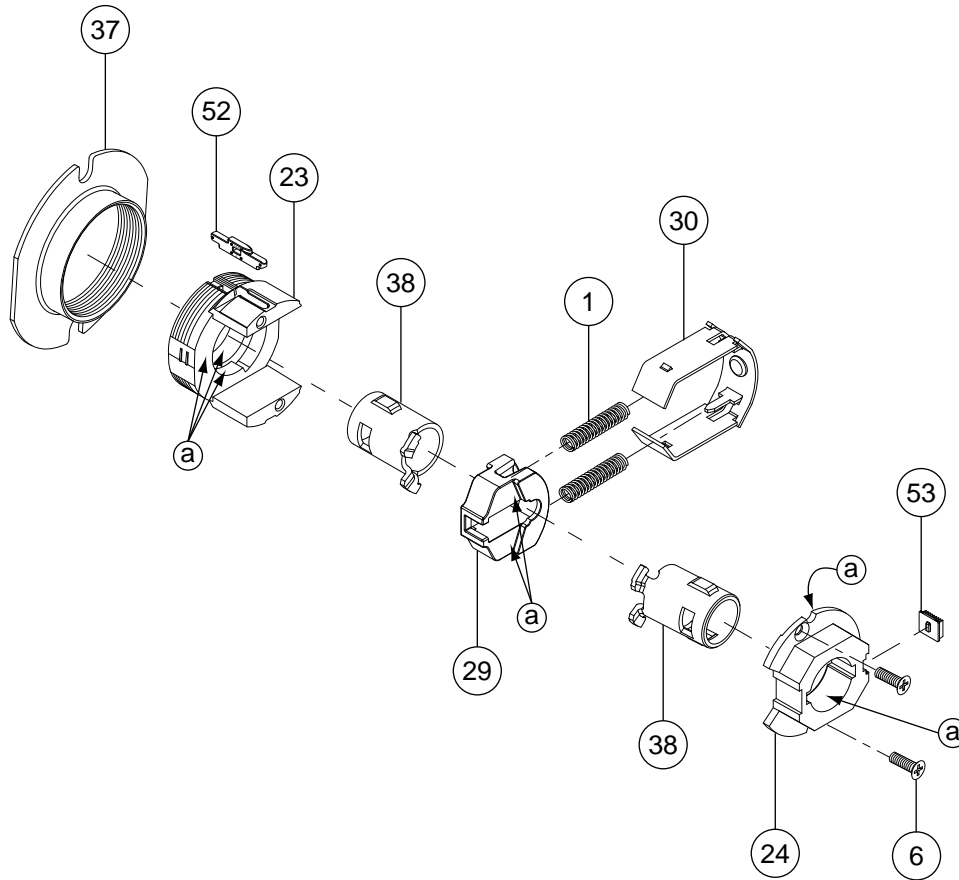
Chassis

- 12 Passage latch
- 13 Exit lock/storeroom lock
- 14 Exit lock/storeroom lock with request-to-exit
- 15 Exit lock and storeroom lock— Electrically locked (fail safe)
- 16 Exit lock and storeroom lock— Electrically locked (fail safe) with request-to-exit
- 17 Exit lock and storeroom lock— Electrically unlocked (fail secure)
- 18 Exit lock and storeroom lock— Electrically unlocked (fail secure) with request-to-exit
- 19 Single dummy trim
- 20 Exit lock with blank plate
- 21 Special— classroom exit lock
- 22 Special— storeroom exit lock
- 23 Patio, bath/bedroom privacy and hospital privacy lock
- 24 Entrance/office and entrance lock
- 25 Vestibule lock
- 26 Store lock
- 27 Classroom lock
- 28 Special— classroom by storeroom lock
- 29 Special— communicating lock
- 30 Special— communicating lock with Vandlgard®
- 31 Corridor lock
- 32 Classroom security lock
- 33 Institution lock
- 34 Faculty restroom lock
- 35 Entrance/office and entrance lock with Vandlgard®
- 36 Vestibule lock with Vandlgard®
- 37 Classroom lock with Vandlgard®
- 38 Classroom security lock with Vandlgard®
- 39 Storeroom lock with Vandlgard®
- 40 Storeroom lock with Vandlgard®— Electrically locked (fail safe)
- 41 Storeroom lock with Vandlgard®— Electrically unlocked (fail secure)
- 42 Corridor lock with Vandlgard®

Chassis

Passage latch

ND10



Ⓐ Apply light film of 100% synthetic grease on surfaces with brush.

No.	Description	Part number
1	Slide spring	C503-019
6	Chassis screw	L583-454
23	Outside housing	24088544
24	Inside hub	24085037
29	Slide	N523-149

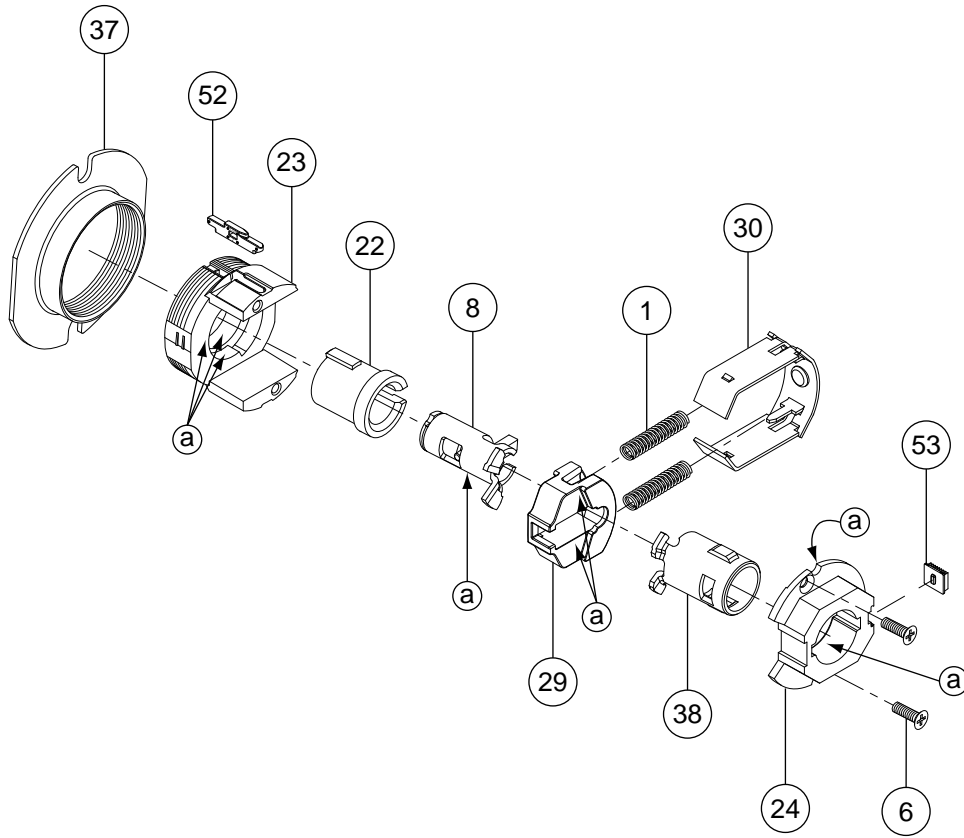
No.	Description	Part number
30	Slide clip	N523-025
37	Adjustment plate	N523-054
38	Spindle	N523-056
52	Gauge insert	23988066
53	Insert, inside hub	N523-160*

* Not sold separately as a part.

Chassis

Exit lock/storeroom lock

ND12 and ND80



Ⓐ Apply light film of 100% synthetic grease on surfaces with brush.

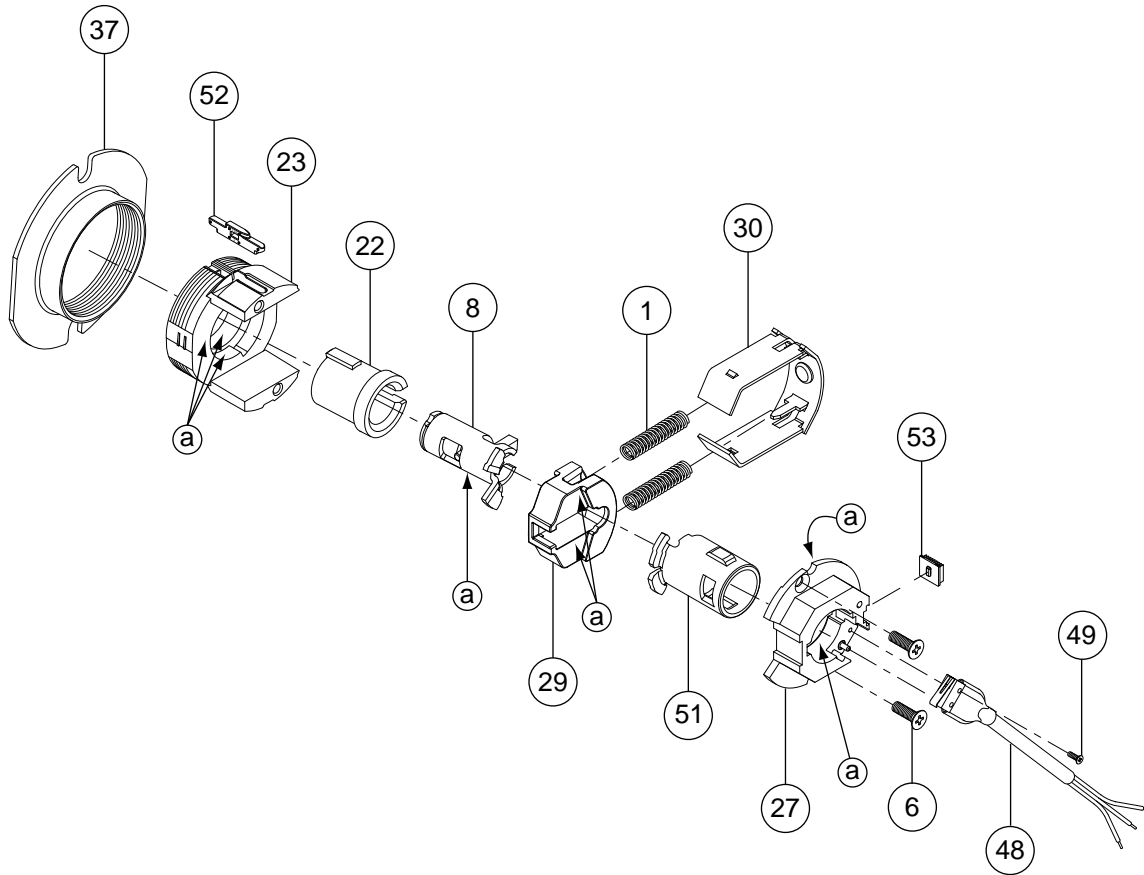
No.	Description	Part number
1	Slide spring	C503-019
6	Chassis screw	L583-454
8	Keycam assembly	N123-008
22	Spindle	N523-013
23	Outside housing	24088544
24	Inside hub	24085037

No.	Description	Part number
29	Slide	N523-149
30	Slide clip	N523-025
37	Adjustment plate	N523-054
38	Spindle	N523-056
52	Gauge insert	23988066
53	Insert, inside hub	N523-160*

* Not sold separately as a part.

Exit lock/storeroom lock with request-to-exit

ND12 RX and ND80 RX



Ⓐ Apply light film of 100% synthetic grease on surfaces with brush.

No.	Description	Part number
1	Slide spring	C503-019
6	Chassis screw	L583-454
8	Keycam assembly	N123-008
22	Spindle	N523-013
23	Outside housing	24088544
27	Inside hub, electrified and RX	24085078
29	Slide	N523-149

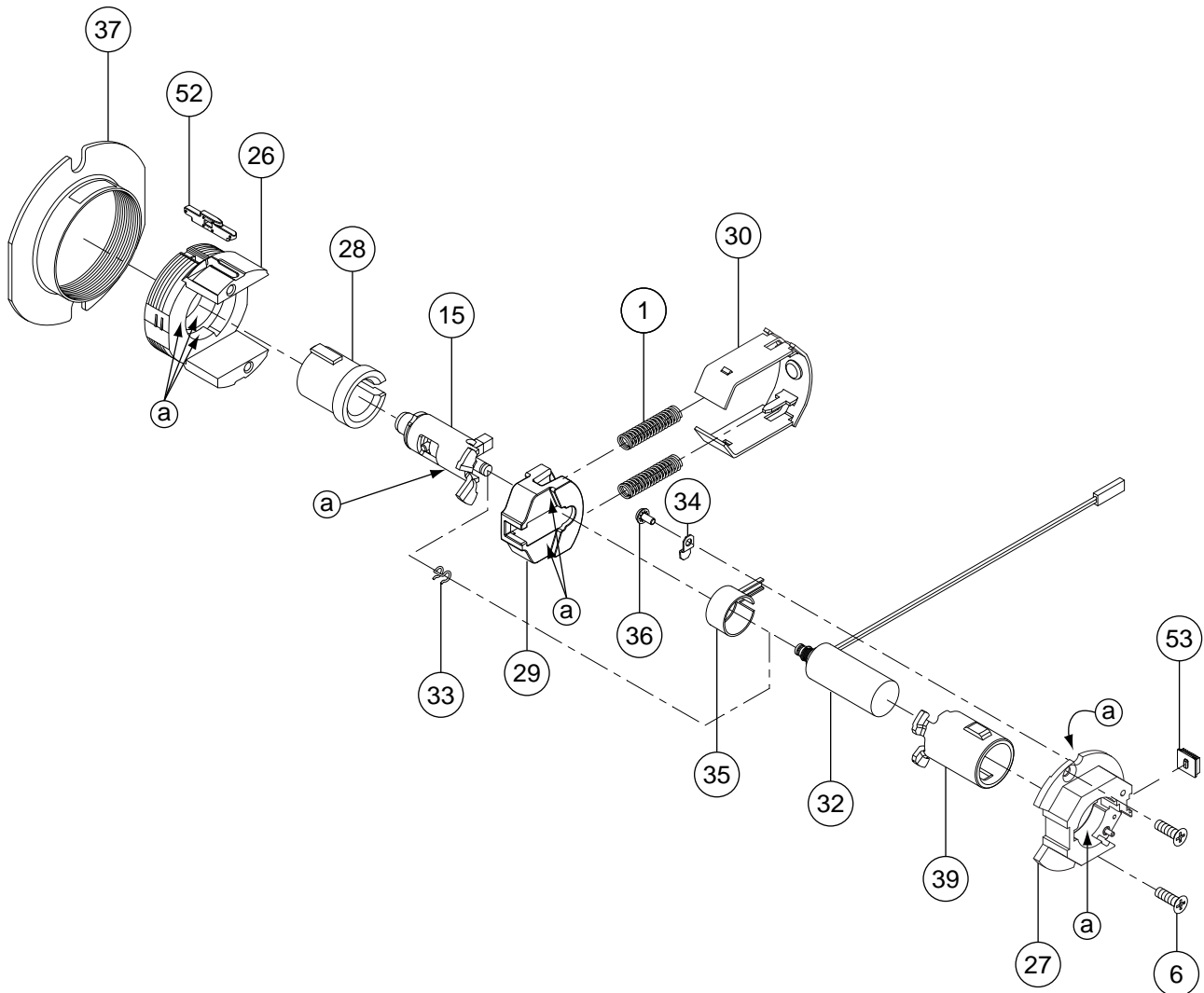
No.	Description	Part number
30	Slide clip	N523-025
37	Adjustment plate	N523-054
48	RX harness	N523-134
49	RX harness screw	N523-135
51	RX inside spindle	N523-138
52	Gauge insert	23988066
53	Insert, inside hub	N523-160*

* Not sold separately as a part.

Chassis

Exit lock and storeroom lock— Electrically locked (fail safe)

ND12EL and ND80EL



Ⓐ Apply light film of 100% synthetic grease on surfaces with brush.

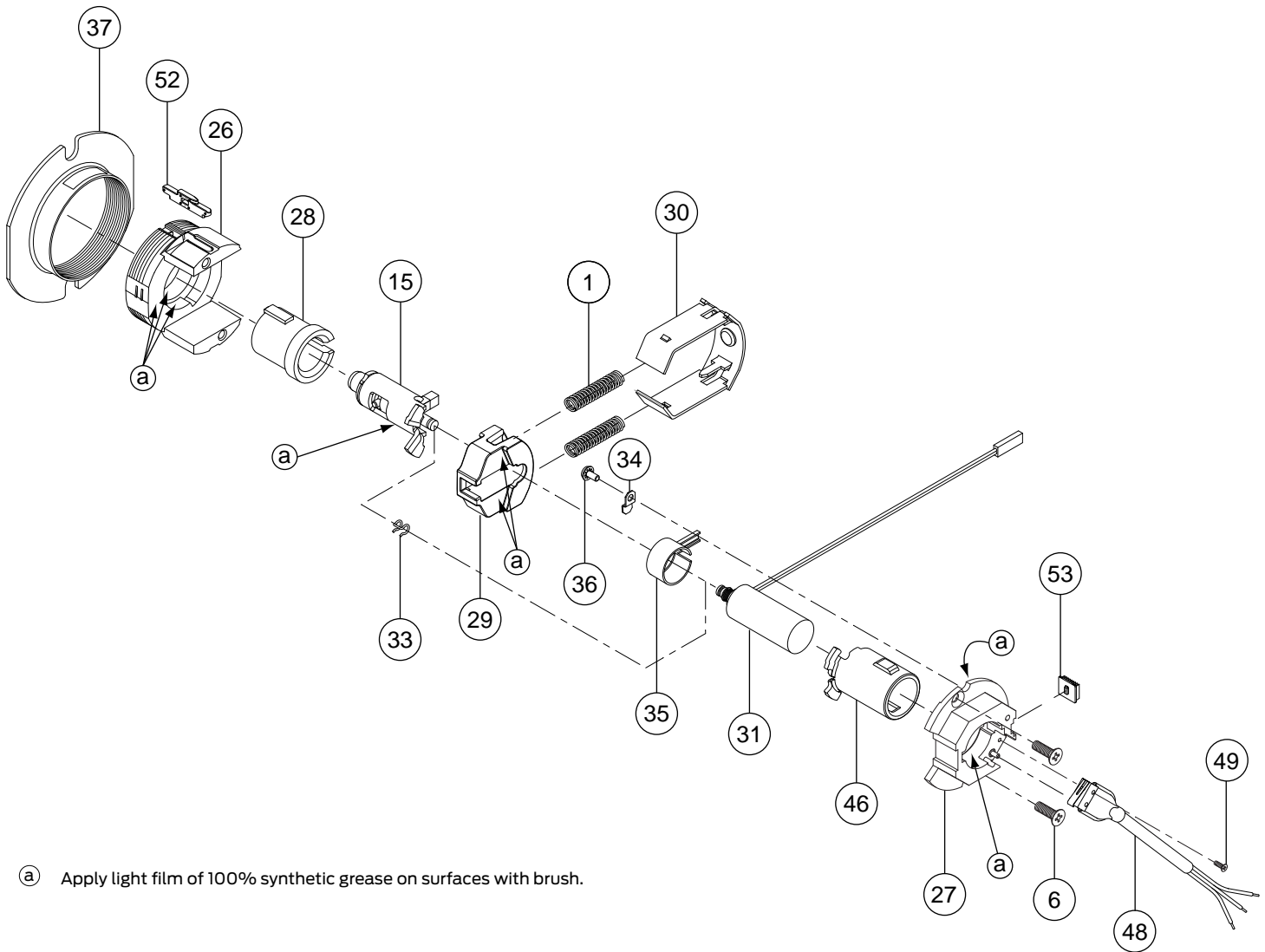
No.	Description	Part number
1	Slide spring	C503-019
6	Chassis screw	L583-454
15	Electrified keycam assembly	N123-024
26	Outside electrified housing	24088551
27	Inside hub, electrified and RX	24085078
28	Outside electrified spindle	N523-019
29	Slide	N523-149
30	Slide clip	N523-025
32	Solenoid—EL	N523-027

No.	Description	Part number
33	Clip	N523-028
34	Wire clamp	N523-029
35	Sleeve	N523-031
36	Wire clamp screw	N523-033
37	Adjustment plate	N523-054
39	Inside electrified spindle	N523-057
52	Gauge insert	23988066
53	Insert, inside hub	N523-160*

* Not sold separately as a part.

Exit lock and storeroom lock— Electrically locked (fail safe) with request-to-exit

ND12EL RX and ND80EL RX



(a) Apply light film of 100% synthetic grease on surfaces with brush.

No.	Description	Part number
1	Slide spring	C503-019
6	Chassis screw	L583-454
15	Electrified keycam assembly	NI23-024
26	Outside electrified housing	24088551
27	Inside hub, electrified and RX	24085078
28	Outside electrified spindle	N523-019
29	Slide	N523-149
30	Slide clip	N523-025
32	Solenoid—EL	N523-027
33	Clip	N523-028

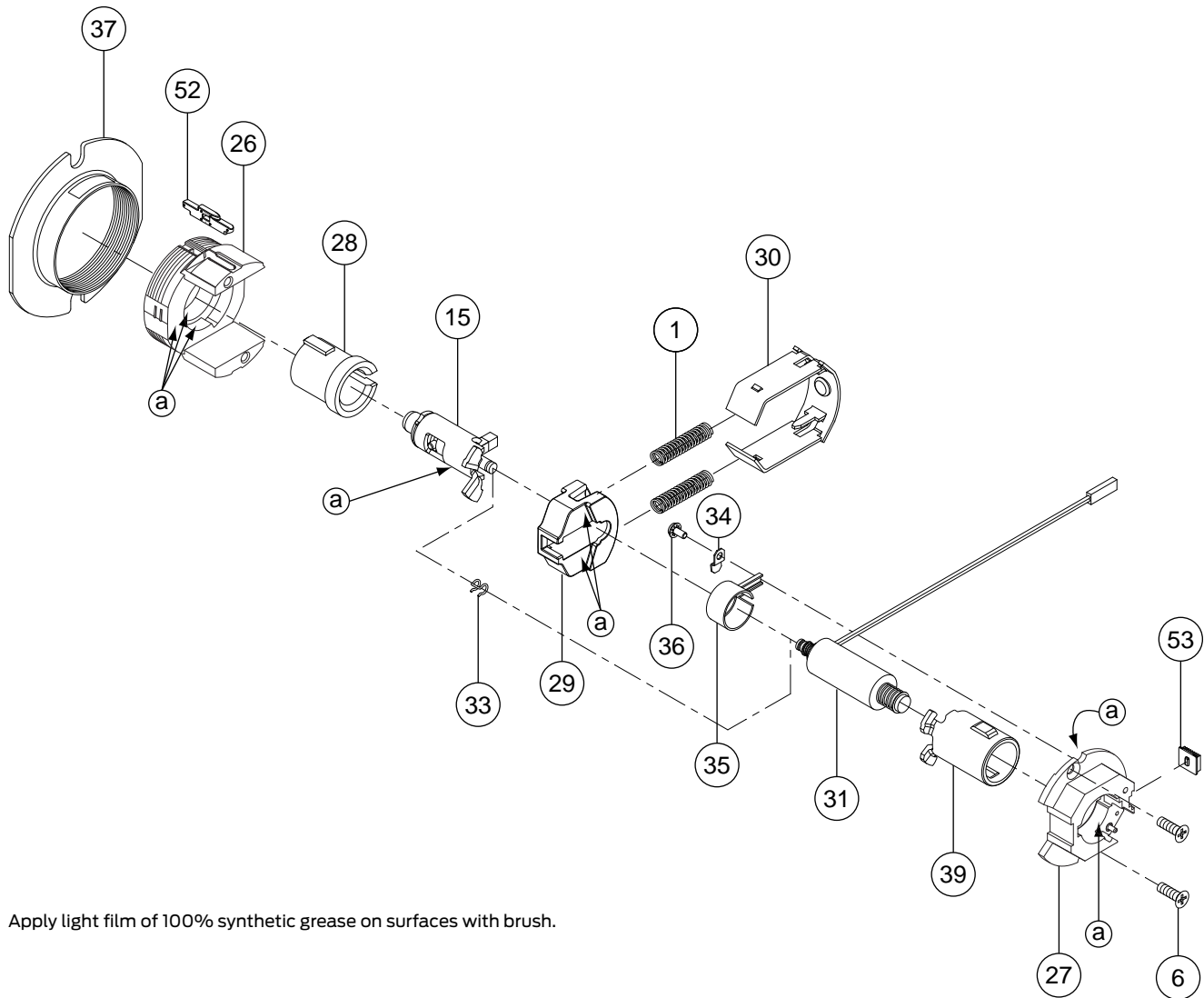
No.	Description	Part number
34	Wire clamp	N523-029
35	Sleeve	N523-031
36	Wire clamp screw	N523-033
37	Adjustment plate	N523-054
46	Inside spindle electrified	N523-132
48	RX harness	N523-134
49	RX harness screw	N523-135
52	Gauge insert	23988066
53	Insert, inside hub	N523-160 *

* Not sold separately as a part.

Chassis

Exit lock and storeroom lock— Electrically unlocked (fail secure)

ND12EU and ND80EU



Ⓐ Apply light film of 100% synthetic grease on surfaces with brush.

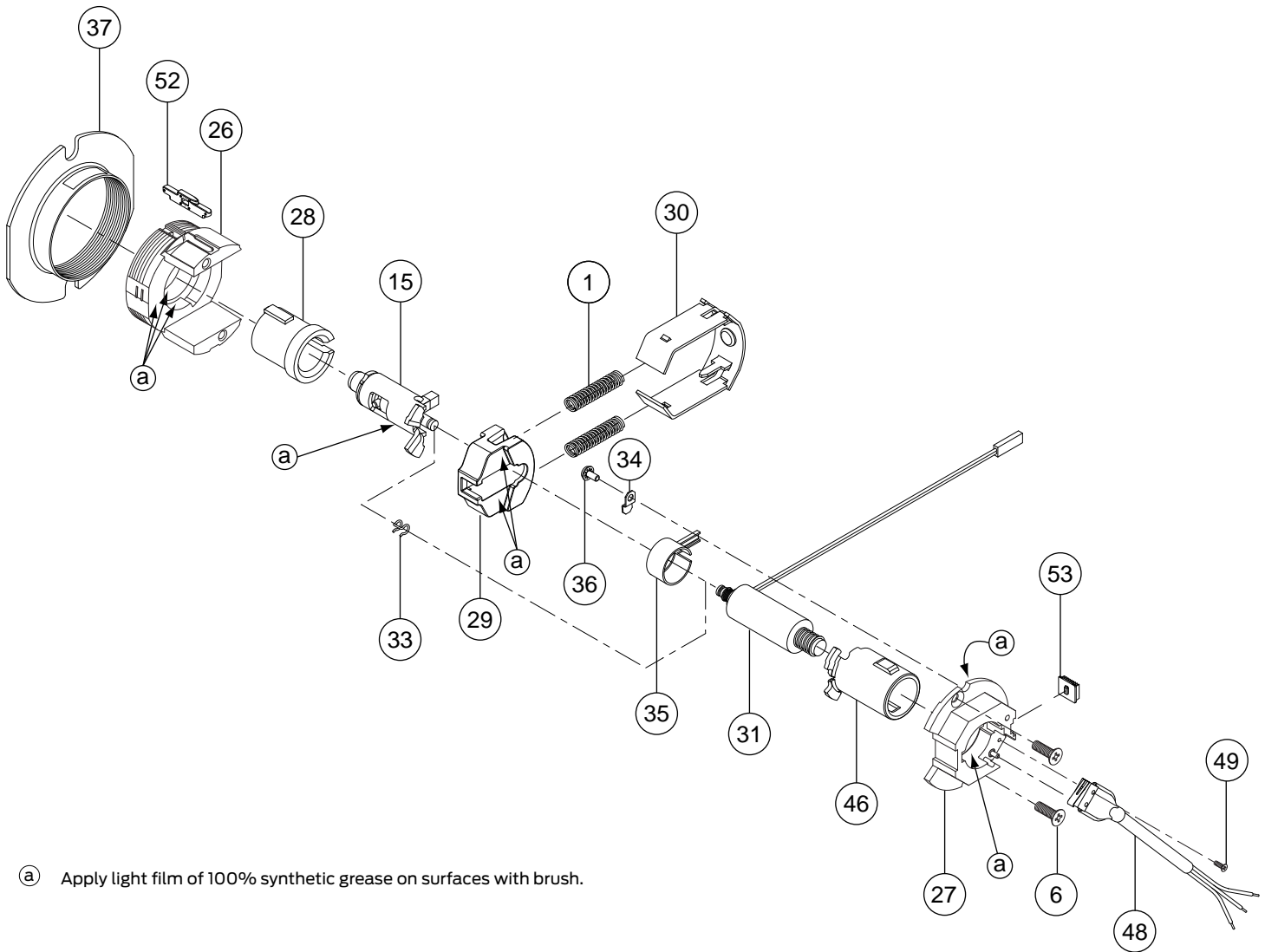
No.	Description	Part number
1	Slide spring	C503-019
6	Chassis screw	L583-454
15	Electrified keycam assembly	N123-024
26	Outside electrified housing	24088551
27	Inside hub, electrified and RX	24085078
28	Outside electrified spindle	N523-019
29	Slide	N523-149
30	Slide clip	N523-025
31	Solenoid—EU	N523-026

No.	Description	Part number
33	Clip	N523-028
34	Wire clamp	N523-029
35	Sleeve	N523-031
36	Wire clamp screw	N523-033
37	Adjustment plate	N523-054
39	Inside electrified spindle	N523-057
52	Gauge insert	23988066
53	Insert, inside hub	N523-160*

* Not sold separately as a part.

Exit lock and storeroom lock— Electrically unlocked (fail secure) with request-to-exit

ND12EU RX and ND80EU RX



(a) Apply light film of 100% synthetic grease on surfaces with brush.

No.	Description	Part number
1	Slide spring	C503-019
6	Chassis screw	L583-454
15	Electrified keycam assembly	NI23-024
26	Outside electrified housing	24088551
27	Inside hub, electrified and RX	24085078
28	Outside electrified spindle	N523-019
29	Slide	N523-149
30	Slide clip	N523-025
31	Solenoid—EU	N523-026
33	Clip	N523-028

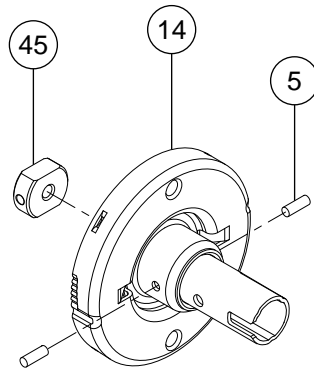
No.	Description	Part number
34	Wire clamp	N523-029
35	Sleeve	N523-031
36	Wire clamp screw	N523-033
37	Adjustment plate	N523-054
46	Inside spindle electrified	N523-132
48	Harness, RX	N523-134
49	Screw, harness, RX	N523-135
52	Gauge insert	23988066
53	Insert, inside hub	N523-160*

* Not sold separately as a part.

Chassis

Single dummy trim

ND170



No.	Description	Part number
5	Spindle pin	C604-340
14	Spring cage assembly	N123-019

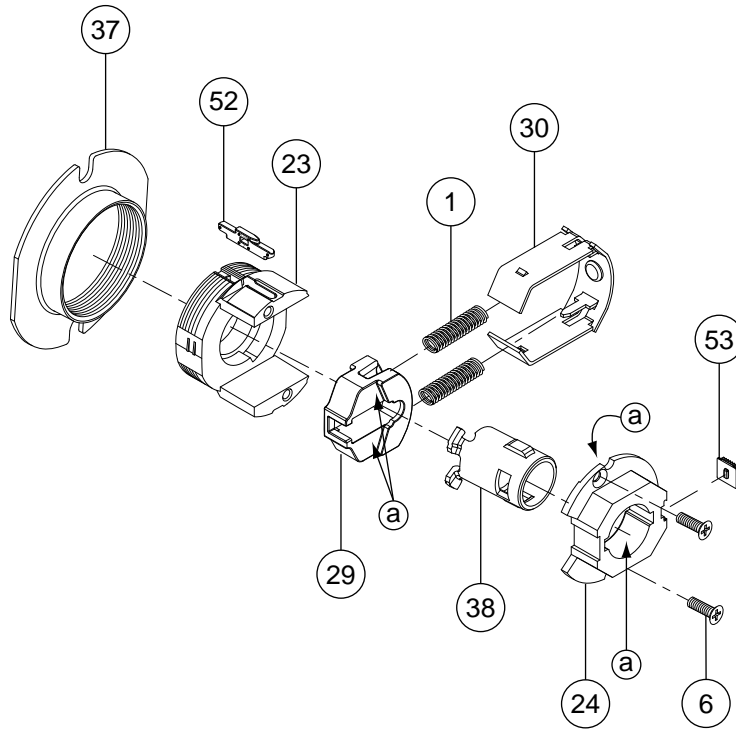
No.	Description	Part number
45	Dummy insert	N523-069

For mounting two ND170 as double trim, see page 51.

Chassis

Exit lock with blank plate

ND25



a Apply light film of 100% synthetic grease on surfaces with brush.

No.	Description	Part number
1	Slide spring	C503-019
6	Chassis screw	L583-454
23	Outside housing	24088544
24	Inside hub	24085037
29	Slide	N523-149

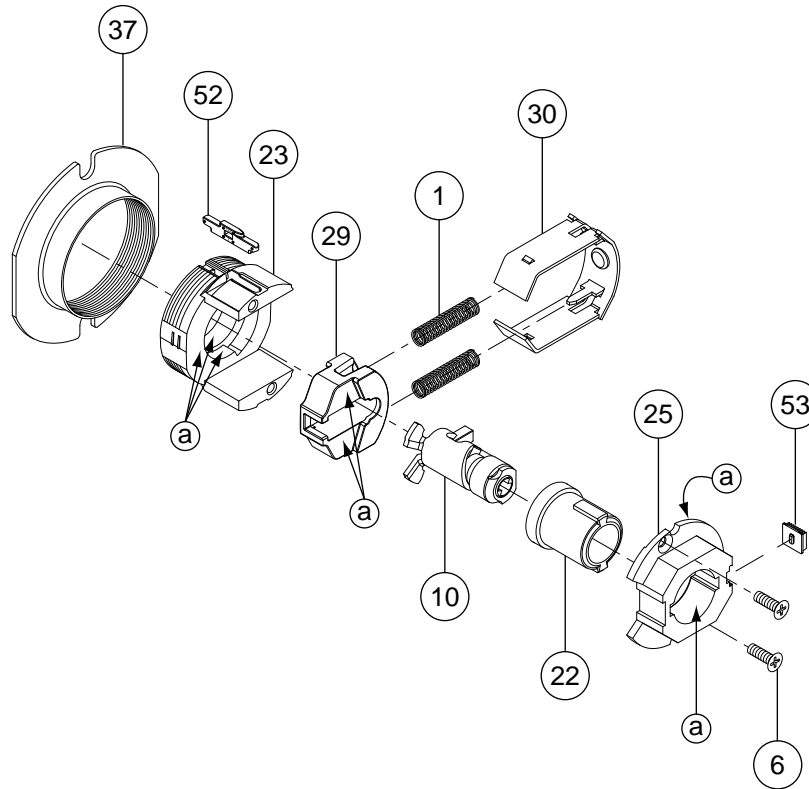
No.	Description	Part number
30	Slide clip	N523-025
37	Adjustment plate	N523-054
38	Spindle	N523-056
52	Gauge insert	23988066
53	Insert, inside hub	N523-160 *

* Not sold separately as a part.

Chassis

Special— classroom exit lock

ND25X70



a Apply light film of 100% synthetic grease on surfaces with brush.

No.	Description	Part number
1	Slide spring	C503-019
6	Chassis screw	L583-454
10	Keycam assembly	N123-010
22	Spindle	N523-013
23	Outside housing	24088544
25	Inside hub	24085060

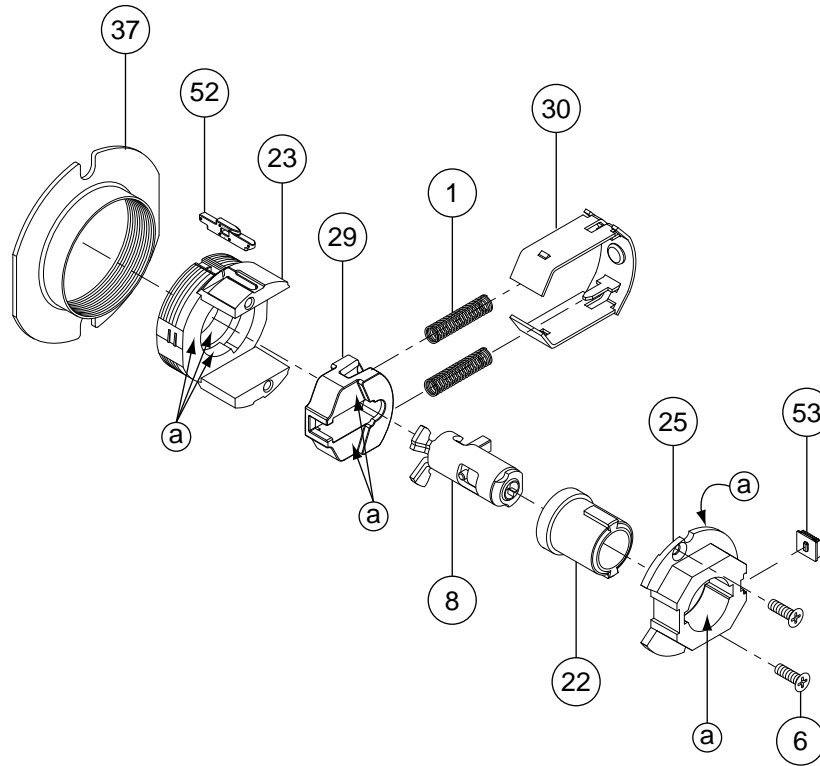
No.	Description	Part number
29	Slide	N523-149
30	Slide clip	N523-025
37	Adjustment plate	N523-054
52	Gauge insert	23988066
53	Insert, inside hub	N523-160*

* Not sold separately as a part.

Chassis

Special— storeroom exit lock

ND25X80



(a) Apply light film of 100% synthetic grease on surfaces with brush.

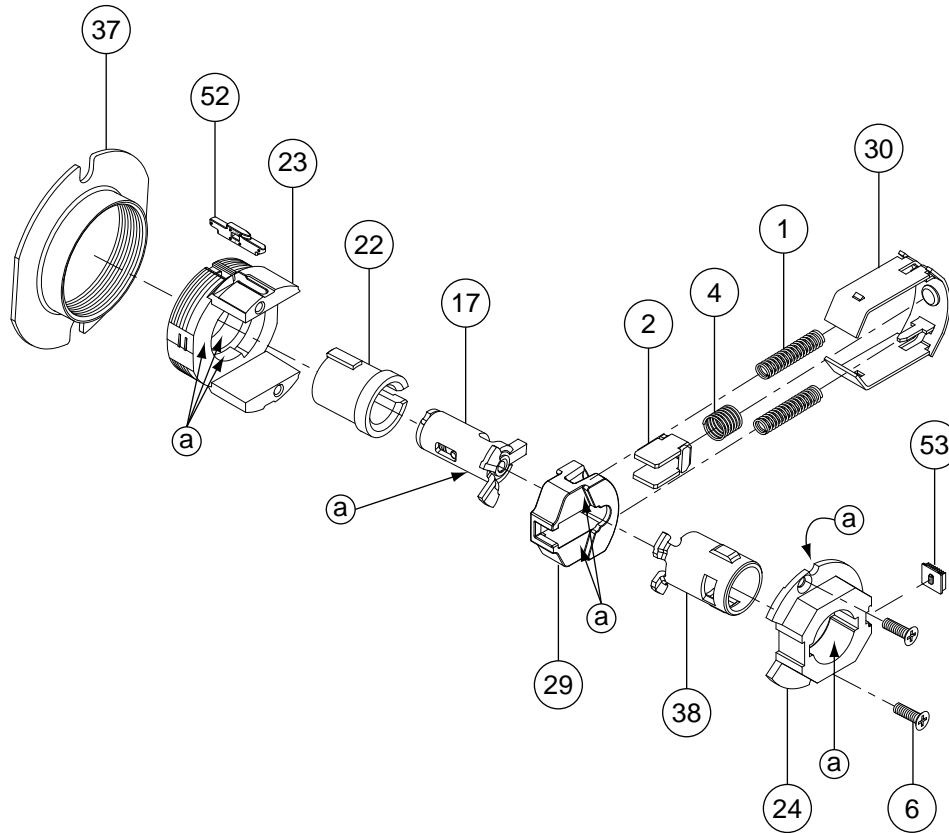
No.	Description	Part number
1	Slide spring	C503-019
6	Chassis screw	L583-454
8	Keycam assembly	N123-008
22	Spindle	N523-013
23	Outside housing	24088544
25	Inside hub	24085060

No.	Description	Part number
29	Slide	N523-149
30	Slide clip	N523-025
37	Adjustment plate	N523-054
52	Gauge insert	23988066
53	Insert, inside hub	N523-160*

* Not sold separately as a part.

Patio, bath/bedroom privacy and hospital privacy lock

ND30, ND40 and ND44



(a) Apply light film of 100% synthetic grease on surfaces with brush.

No.	Description	Part number
1	Slide spring	C503-019
2	Restoring slide catch	C604-187
4	Slide catch spring	C604-191
6	Chassis screw	L583-454
17	Keycam assembly	N123-045
22	Spindle	N523-013
23	Outside housing	24088544

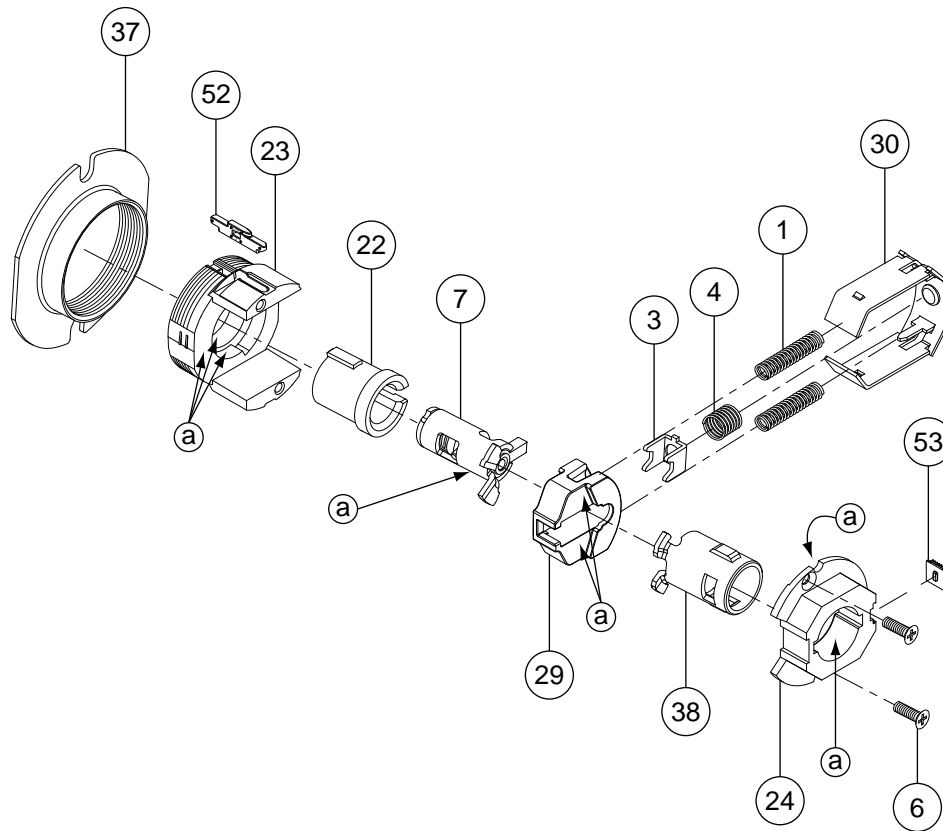
No.	Description	Part number
24	Inside hub	24085037
29	Slide	N523-149
30	Slide clip	N523-025
37	Adjustment plate	N523-054
38	Spindle	N523-056
52	Gauge insert	23988066
53	Insert, inside hub	N523-160 *

* Not sold separately as a part.

Chassis

Entrance/office and entrance lock

ND50 and ND53



No.	Description	Part number
1	Slide spring	C503-019
3	Slide catch	C604-188
4	Slide catch spring	C604-191
6	Chassis screw	L583-454
7	Keycam assembly	N123-007
22	Spindle	N523-013
23	Outside housing	24088544

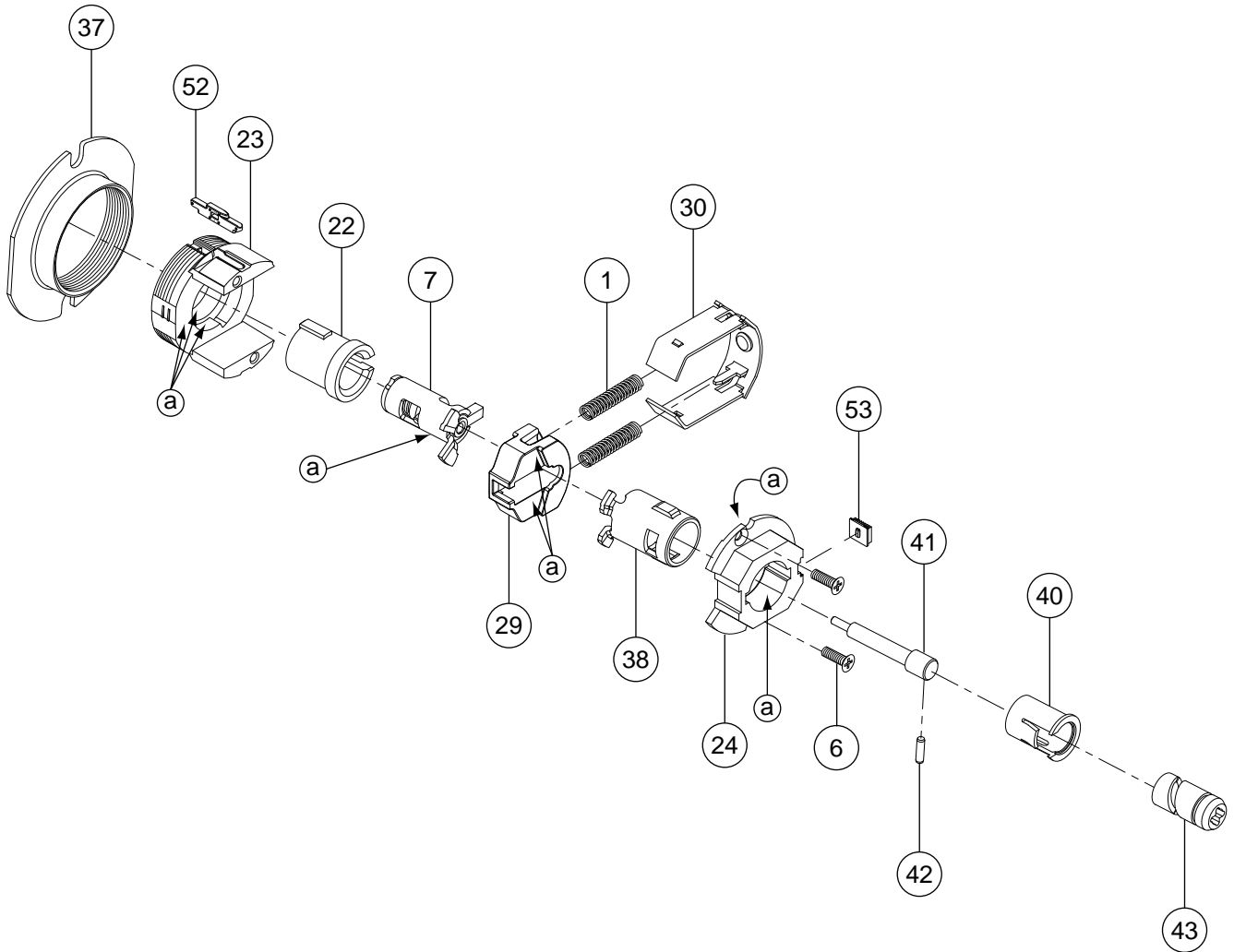
No.	Description	Part number
24	Inside hub	24085037
29	Slide	N523-149
30	Slide clip	N523-025
37	Adjustment plate	N523-054
38	Spindle	N523-056
52	Gauge insert	23988066
53	Insert, inside hub	N523-160*

* Not sold separately as a part.

Chassis

Vestibule lock

ND60



No.	Description	Part number
1	Slide spring	C503-019
6	Chassis screw	L583-454
7	Keycam assembly	N123-007
22	Spindle	N523-013
23	Outside housing	24088544
24	Inside hub	24085037
29	Slide	N523-149
30	Slide clip	N523-025

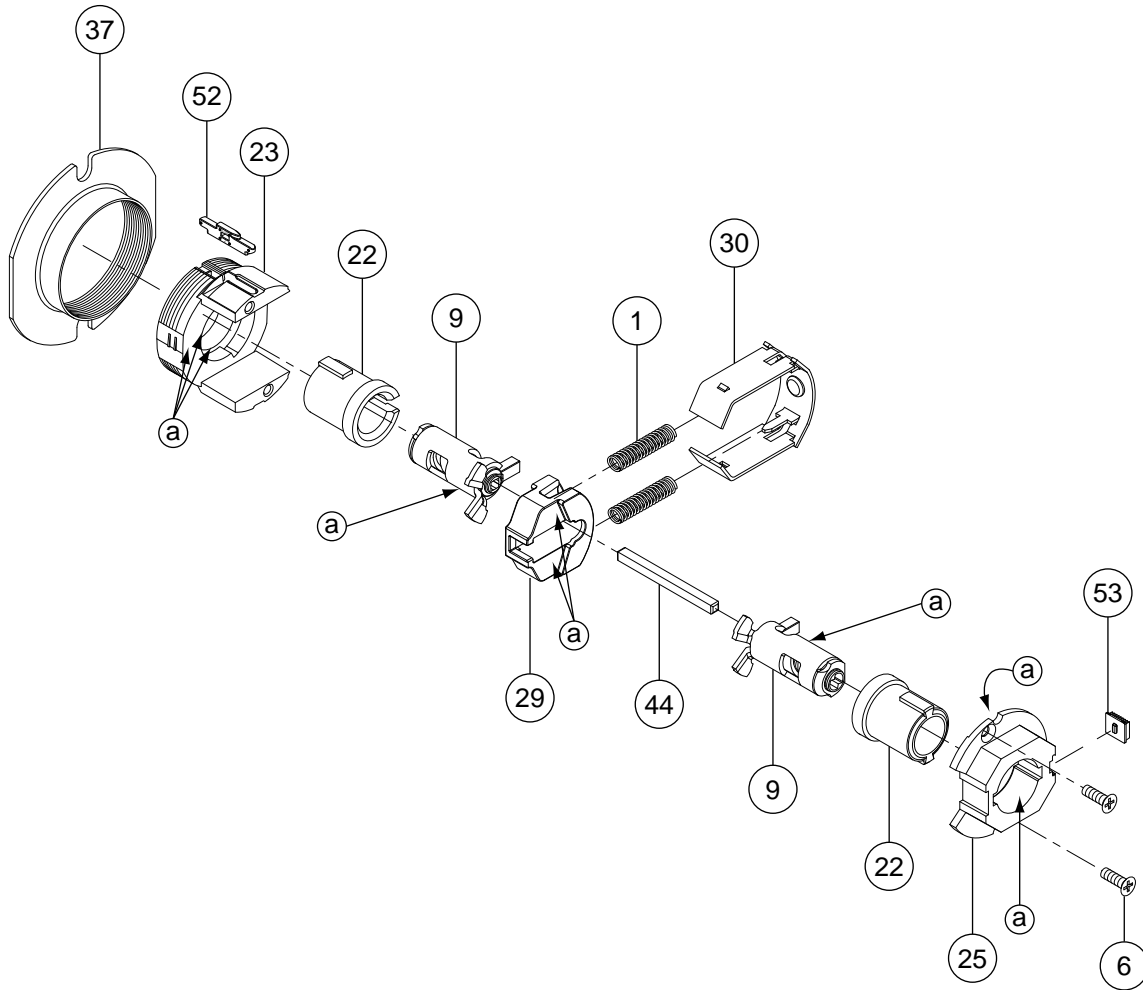
No.	Description	Part number
37	Adjustment plate	N523-054
38	Spindle	N523-056
40	Plunger sleeve	N523-063
41	Plunger	N523-064
42	Cam pin	N523-065
43	Cam	N523-066
52	Gauge insert	23988066
53	Insert, inside hub	N523-160*

* Not sold separately as a part.

Chassis

Store lock

ND66



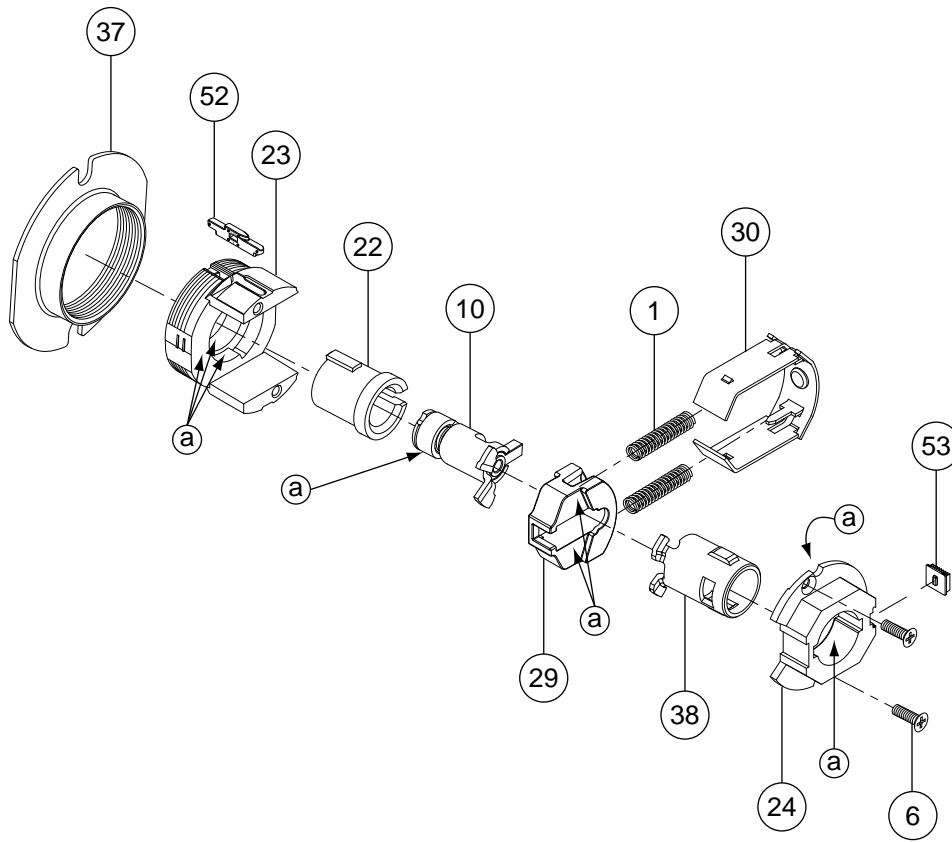
No.	Description	Part number
1	Slide spring	C503-019
6	Chassis screw	L583-454
9	Keycam assembly	N123-009
22	Spindle	N523-013
23	Outside housing	24088544
25	Inside hub	24085060

No.	Description	Part number
29	Slide	N523-149
30	Slide clip	N523-025
37	Adjustment plate	N523-054
44	Plunger bar	N523-067
52	Gauge insert	23988066
53	Insert, inside hub	N523-160*

* Not sold separately as a part.

Classroom lock

ND70



No.	Description	Part number
1	Slide spring	C503-019
6	Chassis screw	L583-454
10	Keycam assembly	N123-010
22	Spindle	N523-013
23	Outside housing	24088544
24	Inside hub	24085037

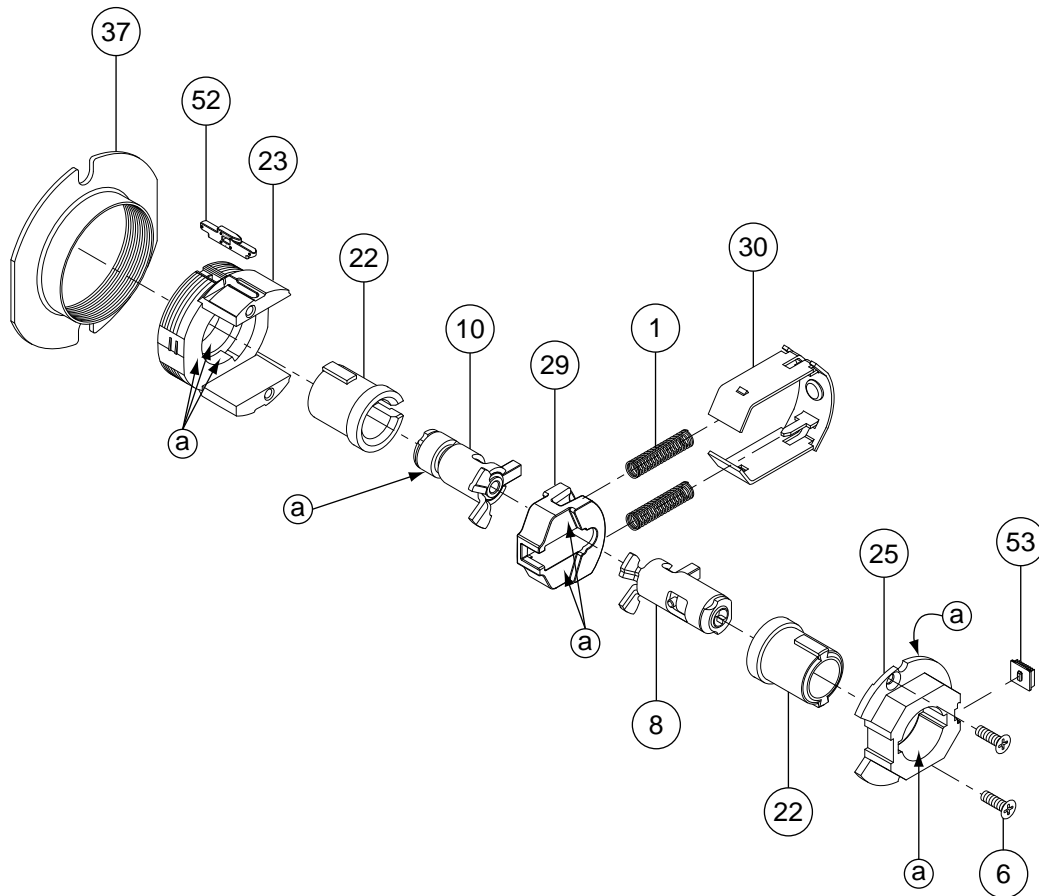
No.	Description	Part number
29	Slide	N523-149
30	Slide clip	N523-025
37	Adjustment plate	N523-054
38	Spindle	N523-056
52	Gauge insert	23988066
53	Insert, inside hub	N523-160*

* Not sold separately as a part.

Chassis

Special— classroom by storeroom lock

ND70X80



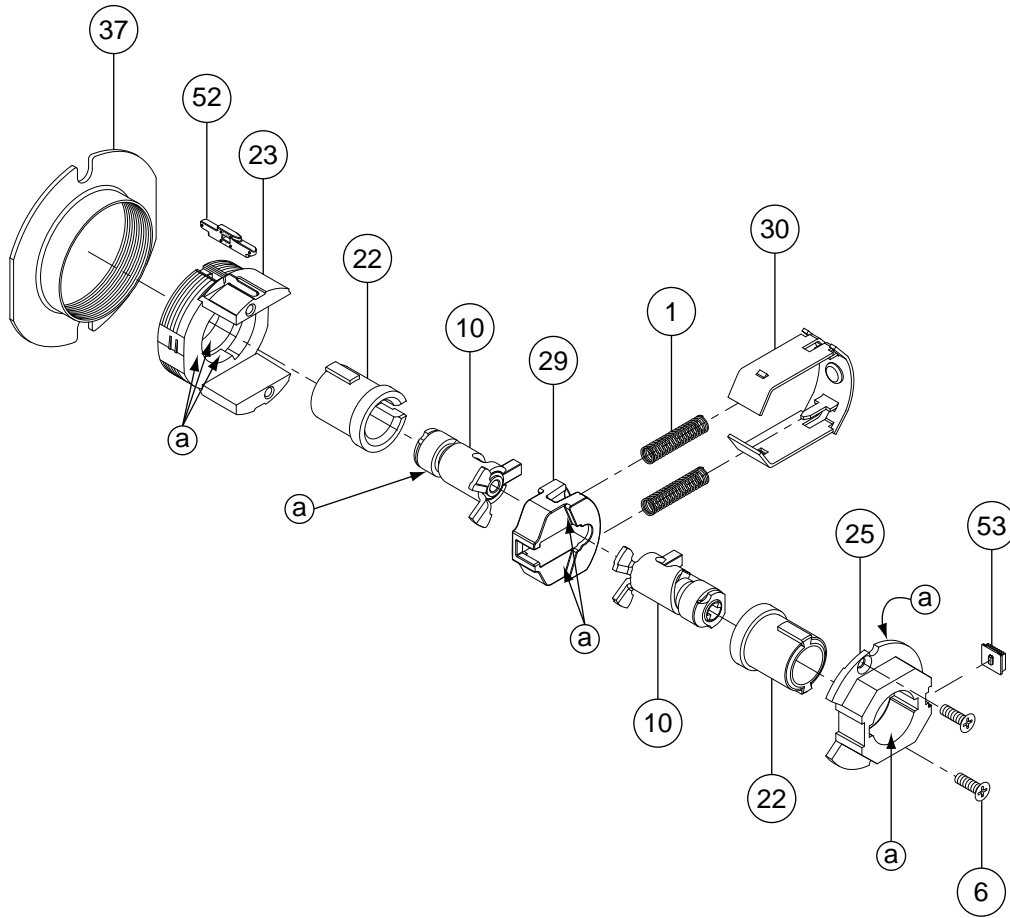
No.	Description	Part number
1	Slide spring	C503-019
6	Chassis screw	L583-454
8	Keycam assembly	N123-008
10	Keycam assembly	N123-010
22	Spindle	N523-013
23	Outside housing	24088544

No.	Description	Part number
25	Inside hub	24085060
29	Slide	N523-149
30	Slide clip	N523-025
37	Adjustment plate	N523-054
52	Gauge insert	23988066
53	Insert, inside hub	N523-160*

* Not sold separately as a part.

Special— communicating lock

ND72



No.	Description	Part number
1	Slide spring	C503-019
6	Chassis screw	L583-454
10	Keycam assembly	N123-010
22	Spindle	N523-013
23	Outside housing	24088544
25	Inside hub	24085060

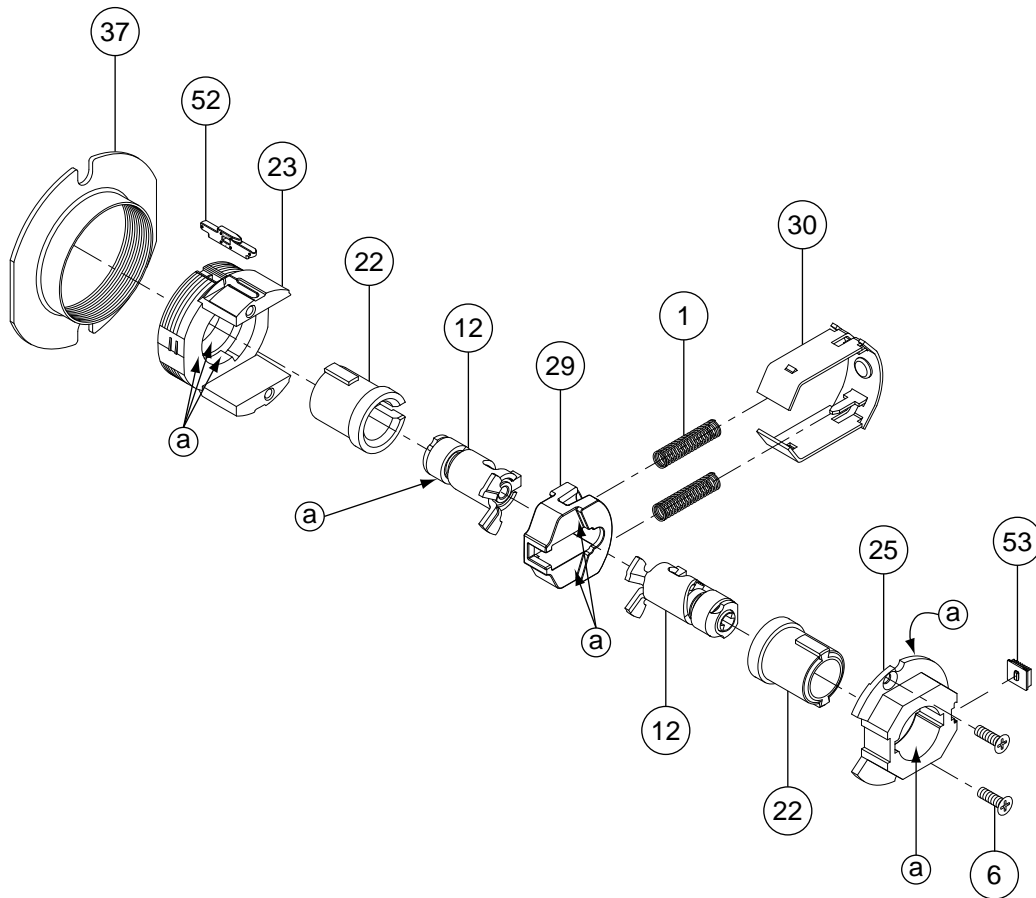
No.	Description	Part number
29	Slide	N523-149
30	Slide clip	N523-025
37	Adjustment plate	N523-054
52	Gauge insert	23988066
53	Insert, inside hub	N523-160*

* Not sold separately as a part.

Chassis

Special— communicating lock with Vandlgard®

ND72 Vandlgard®



No.	Description	Part number
1	Slide spring	C503-019
6	Chassis screw	L583-454
12	Keycam assembly	N123-012
22	Spindle	N523-013
23	Outside housing	24088544
25	Inside hub	24085060

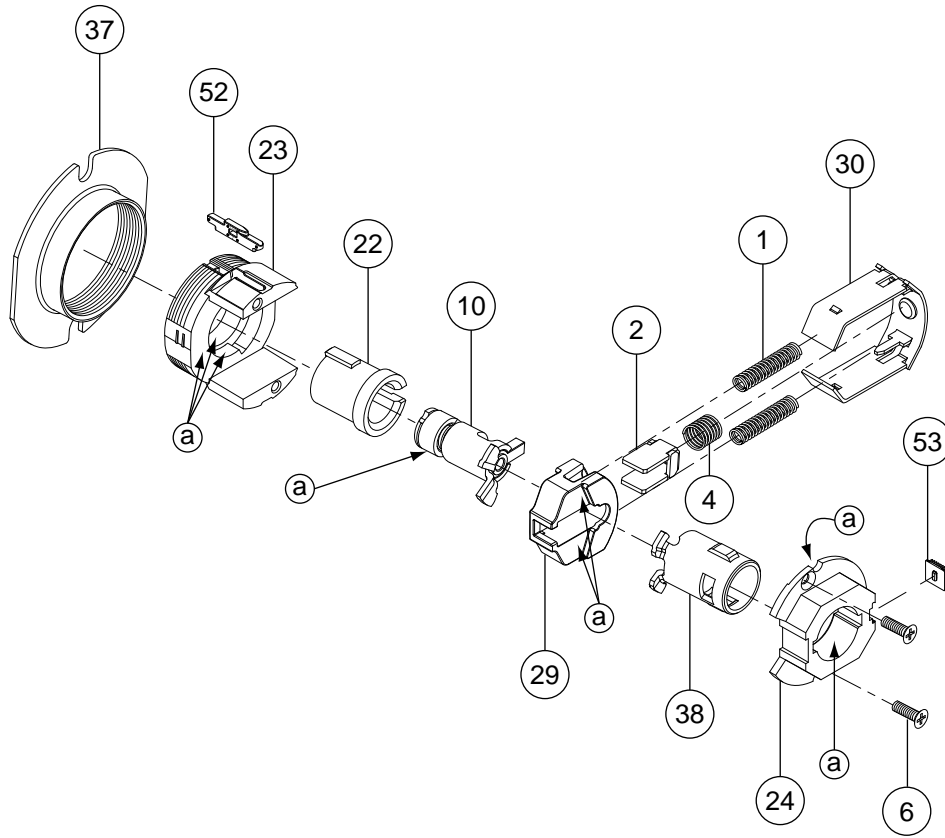
No.	Description	Part number
29	Slide	N523-149
30	Slide clip	N523-025
37	Adjustment plate	N523-054
52	Gauge insert	23988066
53	Insert, inside hub	N523-160 *

* Not sold separately as a part.

Chassis

Corridor lock

ND73



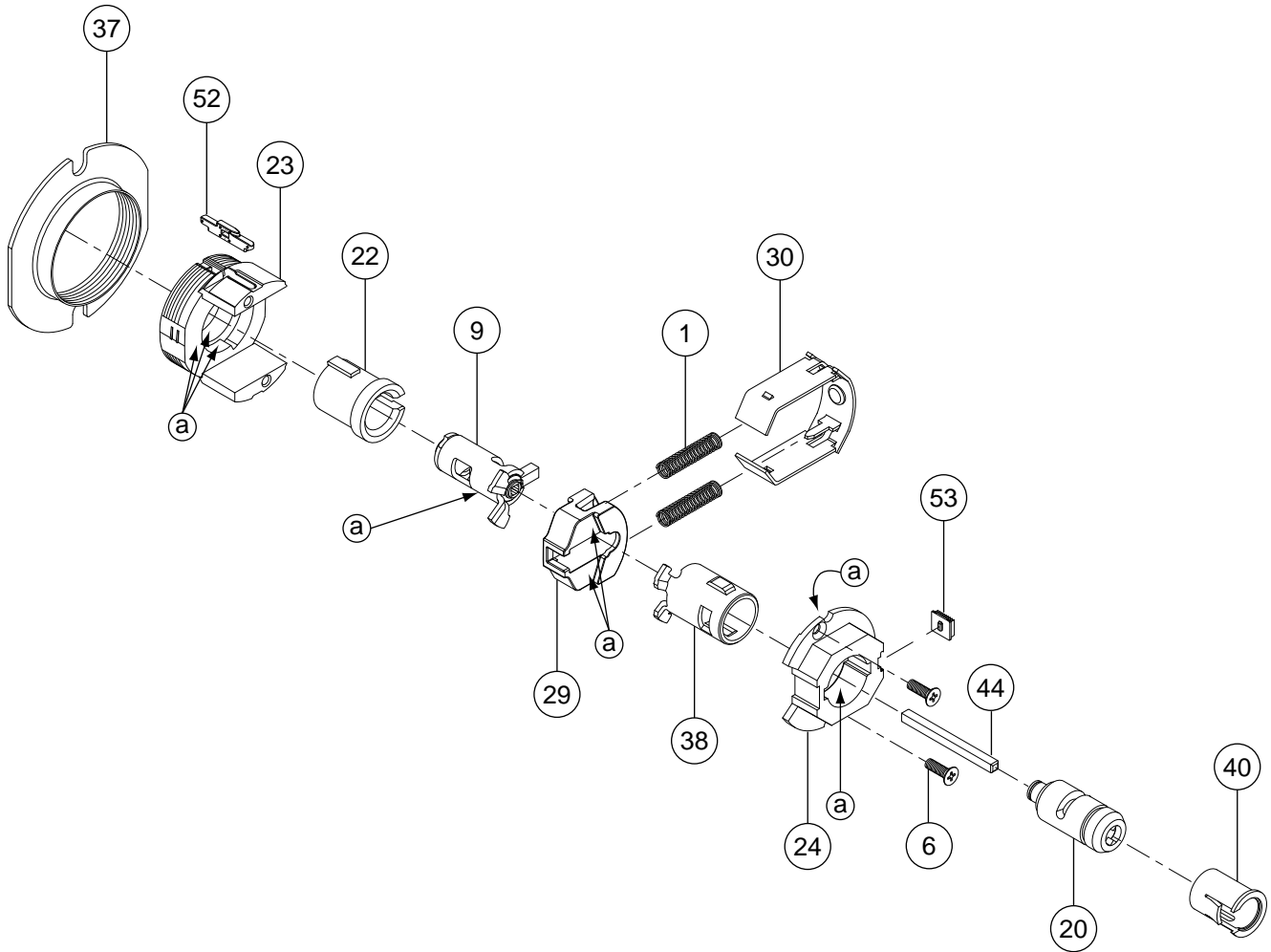
No.	Description	Part number
1	Slide spring	C503-019
2	Restoring slide catch	C604-187
4	Slide catch spring	C604-191
6	Chassis screw	L583-454
10	Keycam assembly	N123-010
22	Spindle	N523-013
23	Outside housing	24088544

No.	Description	Part number
24	Inside hub	24085037
29	Slide	N523-149
30	Slide clip	N523-025
37	Adjustment plate	N523-054
38	Spindle	N523-056
52	Gauge insert	23988066
53	Insert, inside hub	N523-160 *

* Not sold separately as a part.

Classroom security lock

ND75



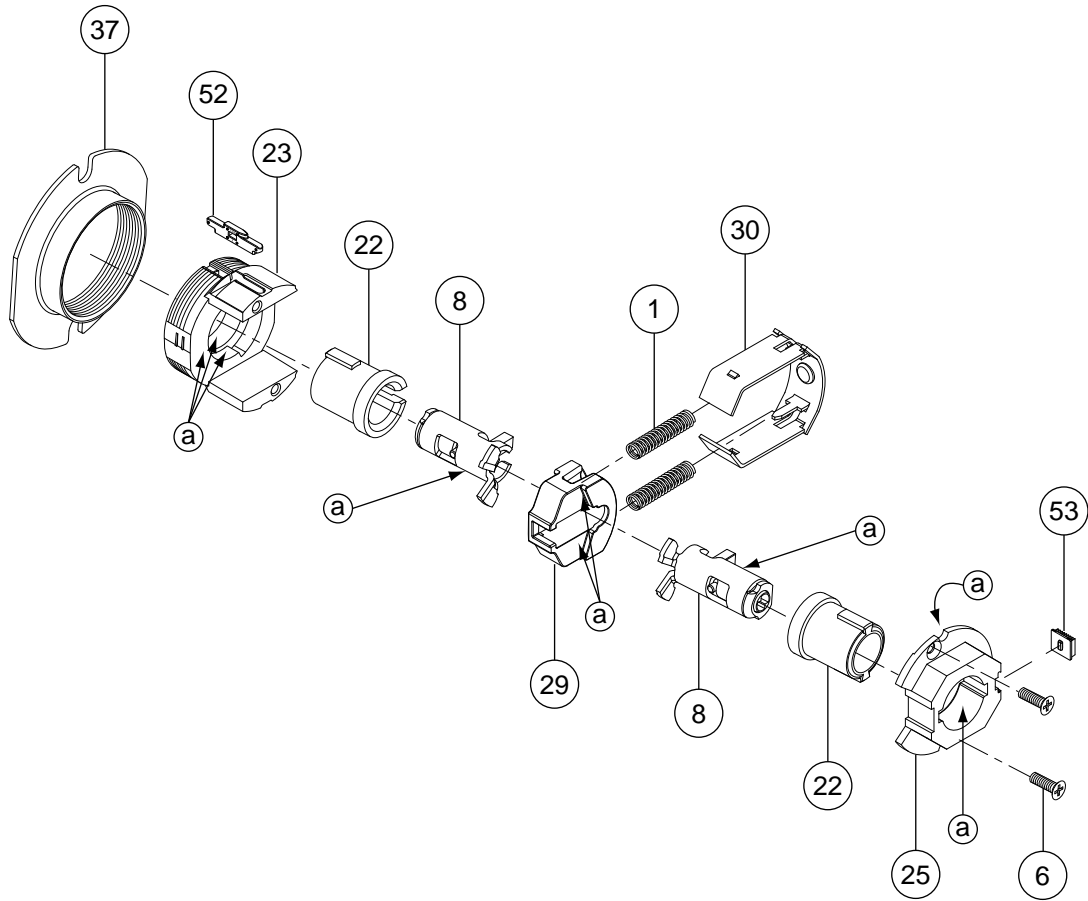
No.	Description	Part number
1	Slide spring	C503-019
6	Chassis screw	L583-454
9	Keycam assembly	N123-009
20	Inside cam	N123-059
22	Spindle	N523-013
23	Outside housing	24088544
24	Inside hub	24085037
29	Slide	N523-149

No.	Description	Part number
30	Slide clip	N523-025
37	Adjustment plate	N523-054
38	Spindle	N523-056
40	Plunger sleeve	N523-063
44	Plunger bar	N523-067
52	Gauge insert	23988066
53	Insert, inside hub	N523-160 *

* Not sold separately as a part.

Institution lock

ND82



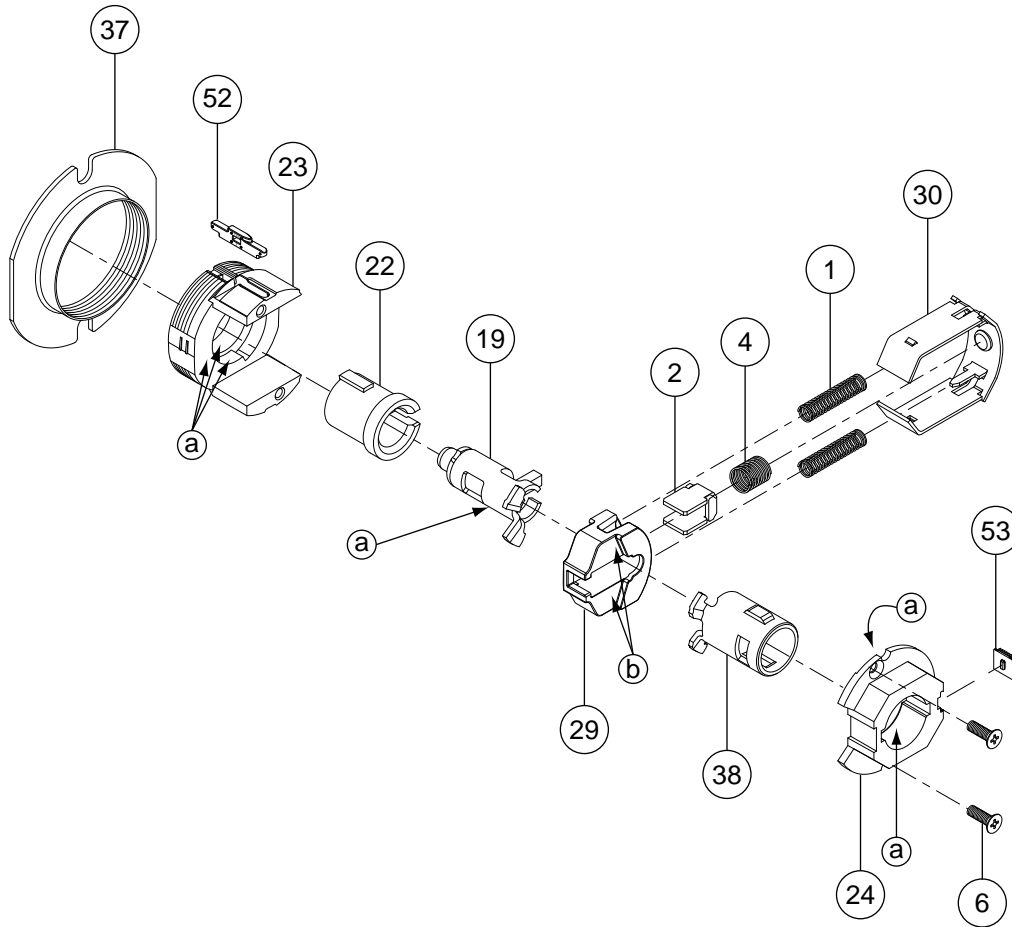
No.	Description	Part number
1	Slide spring	C503-109
6	Chassis screw	L583-454
8	Keycam assembly	N123-008
22	Spindle	N523-013
23	Outside housing	24088544
25	Inside hub	24085060

No.	Description	Part number
29	Slide	N523-149
30	Slide clip	N523-025
37	Adjustment plate	N523-054
52	Gauge insert	23988066
53	Insert, inside hub	N523-160 *

* Not sold separately as a part.

Faculty restroom lock

ND85



No.	Description	Part number
1	Slide spring	C503-019
2	Restoring slide catch	C604-187
4	Slide catch spring	C604-191
6	Chassis screw	L583-454
19	Keycam assembly	N123-055
22	Spindle	N523-013
23	Outside housing	24088544

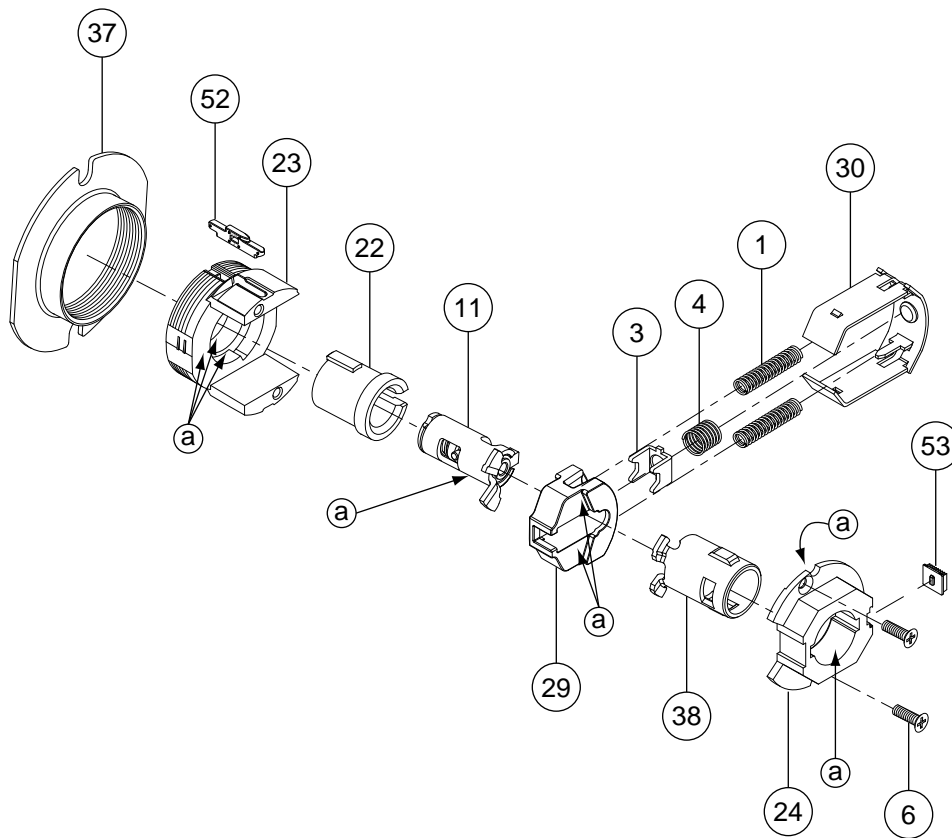
No.	Description	Part number
24	Inside hub	24085037
29	Slide	N523-149
30	Slide clip	N523-025
37	Adjustment plate	N523-054
38	Spindle	N523-056
52	Gauge insert	23988066
53	Insert, inside hub	N523-160 *

* Not sold separately as a part.

Chassis

Entrance/office and entrance lock with Vandlgard®

ND91 and ND92



No.	Description	Part number
1	Slide spring	C503-019
3	Slide catch	C604-188
4	Slide catch spring	C604-191
6	Chassis screw	L583-454
11	Keycam assembly	N123-011
22	Spindle	N523-013
23	Outside housing	24088544

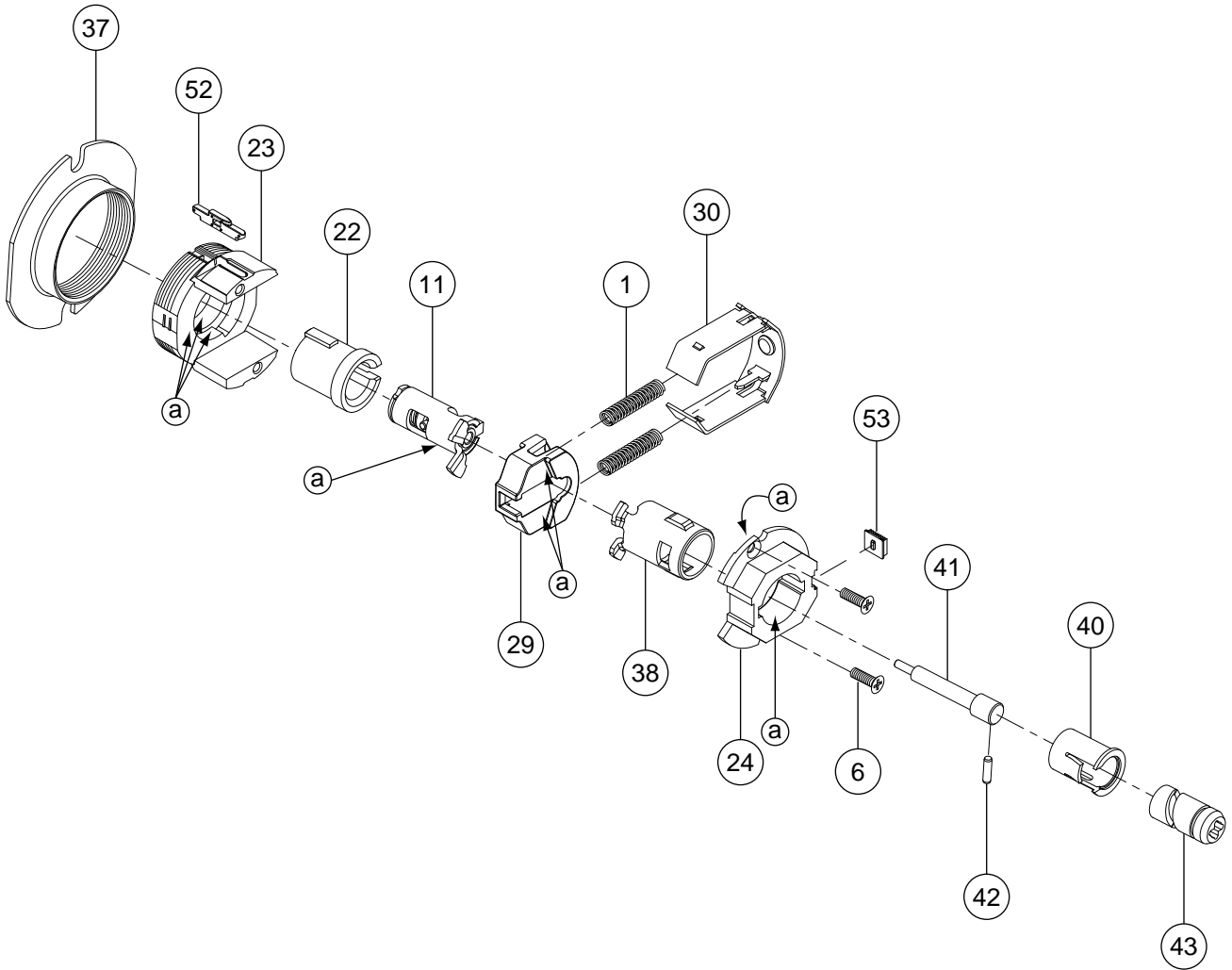
No.	Description	Part number
24	Inside hub	24085037
29	Slide	N523-149
30	Slide clip	N523-025
37	Adjustment plate	N523-054
38	Spindle	N523-056
52	Gauge insert	23988066
53	Insert, inside hub	N523-160 *

* Not sold separately as a part.

Chassis

Vestibule lock with Vandlgard®

ND93



No.	Description	Part number
1	Slide spring	C503-019
6	Chassis screw	L583-454
11	Keycam assembly	N123-011
22	Spindle	N523-013
23	Outside housing	24088544
24	Inside hub	24085037
29	Slide	N523-149
30	Slide clip	N523-025

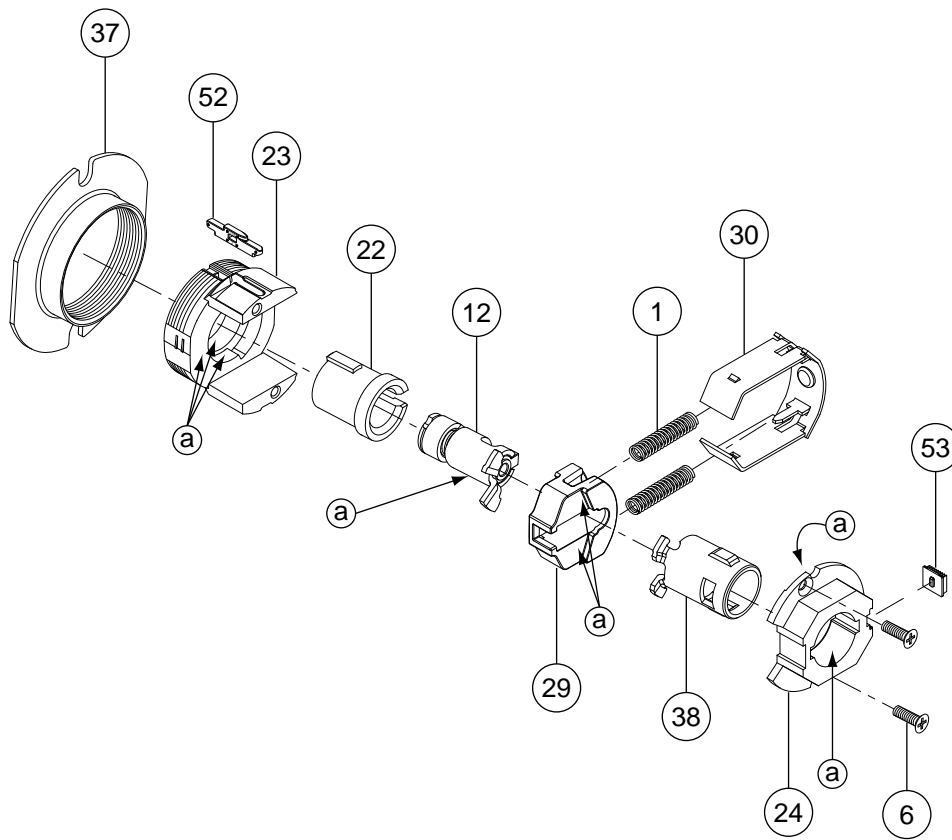
No.	Description	Part number
37	Adjustment plate	N523-054
38	Spindle	N523-056
40	Plunger sleeve	N523-063
41	Plunger	N523-064
42	Cam pin	N523-065
43	Cam	N523-066
52	Gauge insert	23988066
53	Insert, inside hub	N523-160*

* Not sold separately as a part.

Chassis

Classroom lock with Vandlgard®

ND94



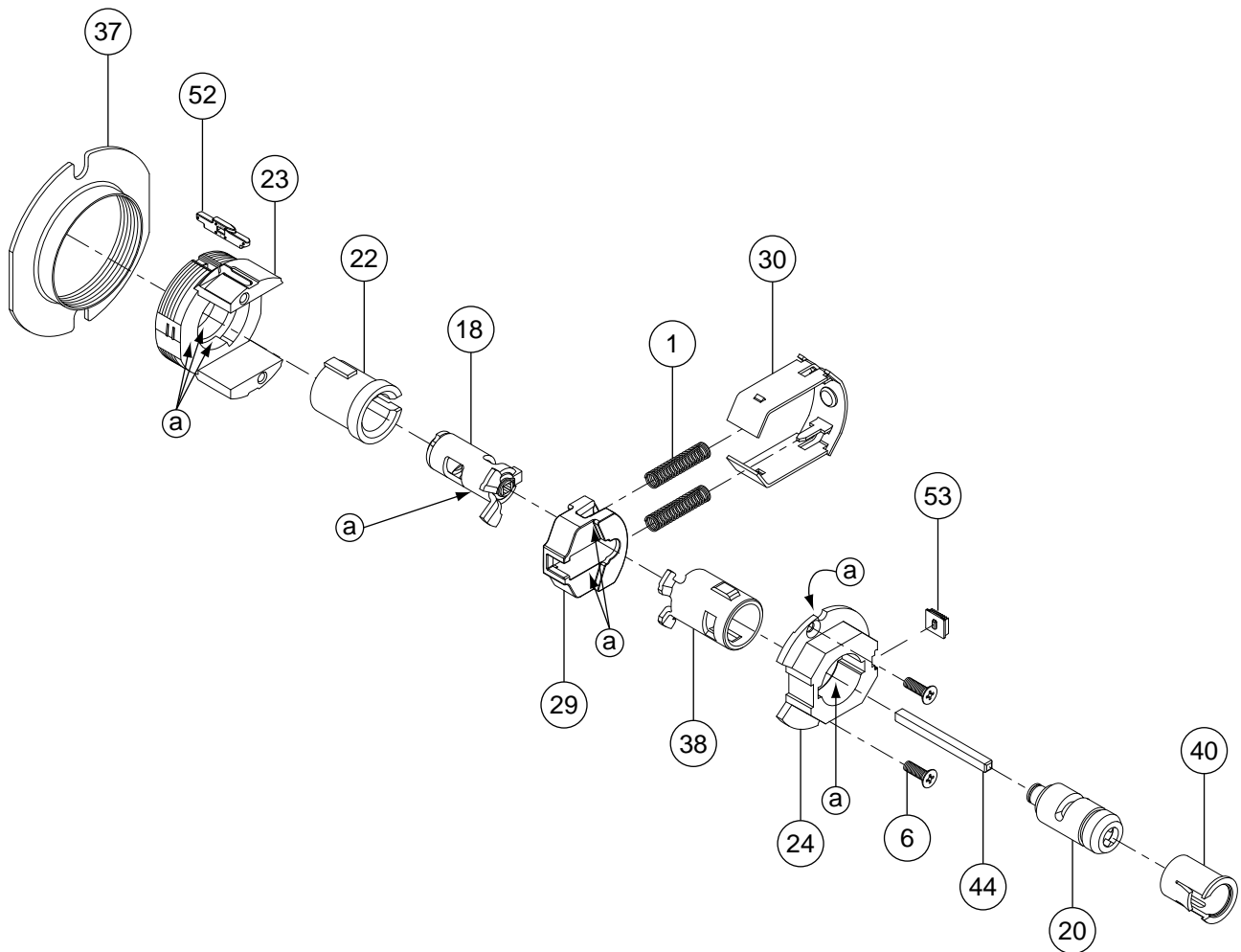
No.	Description	Part number
1	Slide spring	C503-019
6	Chassis screw	L583-454
12	Keycam assembly	N123-012
22	Spindle	N523-013
23	Outside housing	24088544
24	Inside hub	24085037

No.	Description	Part number
29	Slide	N523-149
30	Slide clip	N523-025
37	Adjustment plate	N523-054
38	Spindle	N523-056
52	Gauge insert	23988066
53	Insert, inside hub	N523-160*

* Not sold separately as a part.

Classroom security lock with Vandlgard®

ND95



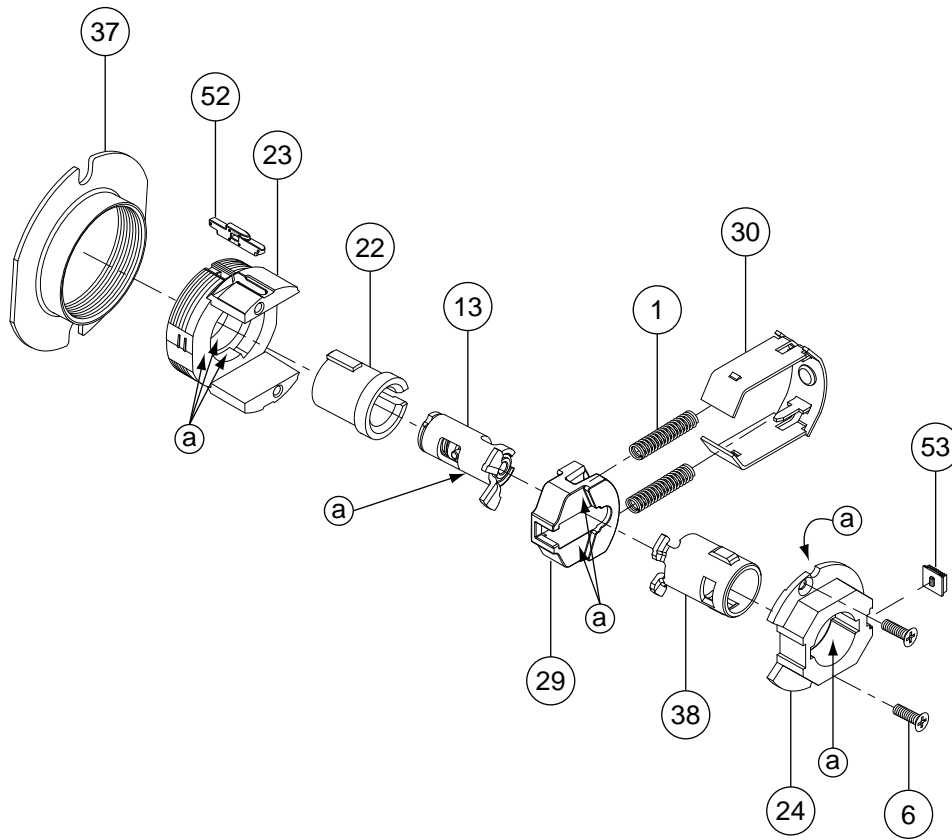
No.	Description	Part number
1	Slide spring	C503-019
6	Chassis screw	L583-454
18	Keycam assembly	N123-054
20	Inside cam	N123-059
22	Spindle	N523-013
23	Outside housing	24088544
24	Inside hub	24085037
29	Slide	N523-149

No.	Description	Part number
30	Slide clip	N523-025
37	Adjustment plate	N523-054
38	Spindle	N523-056
40	Plunger sleeve	N523-063
44	Plunger bar	N523-067
52	Gauge insert	23988066
53	Insert, inside hub	N523-160*

* Not sold separately as a part.

Storeroom lock with Vandlgard®

ND96



No.	Description	Part number
1	Slide spring	C503-019
6	Chassis screw	L583-454
13	Keycam assembly	N123-013
22	Spindle	N523-013
23	Outside housing	24088544
24	Inside hub	24085037

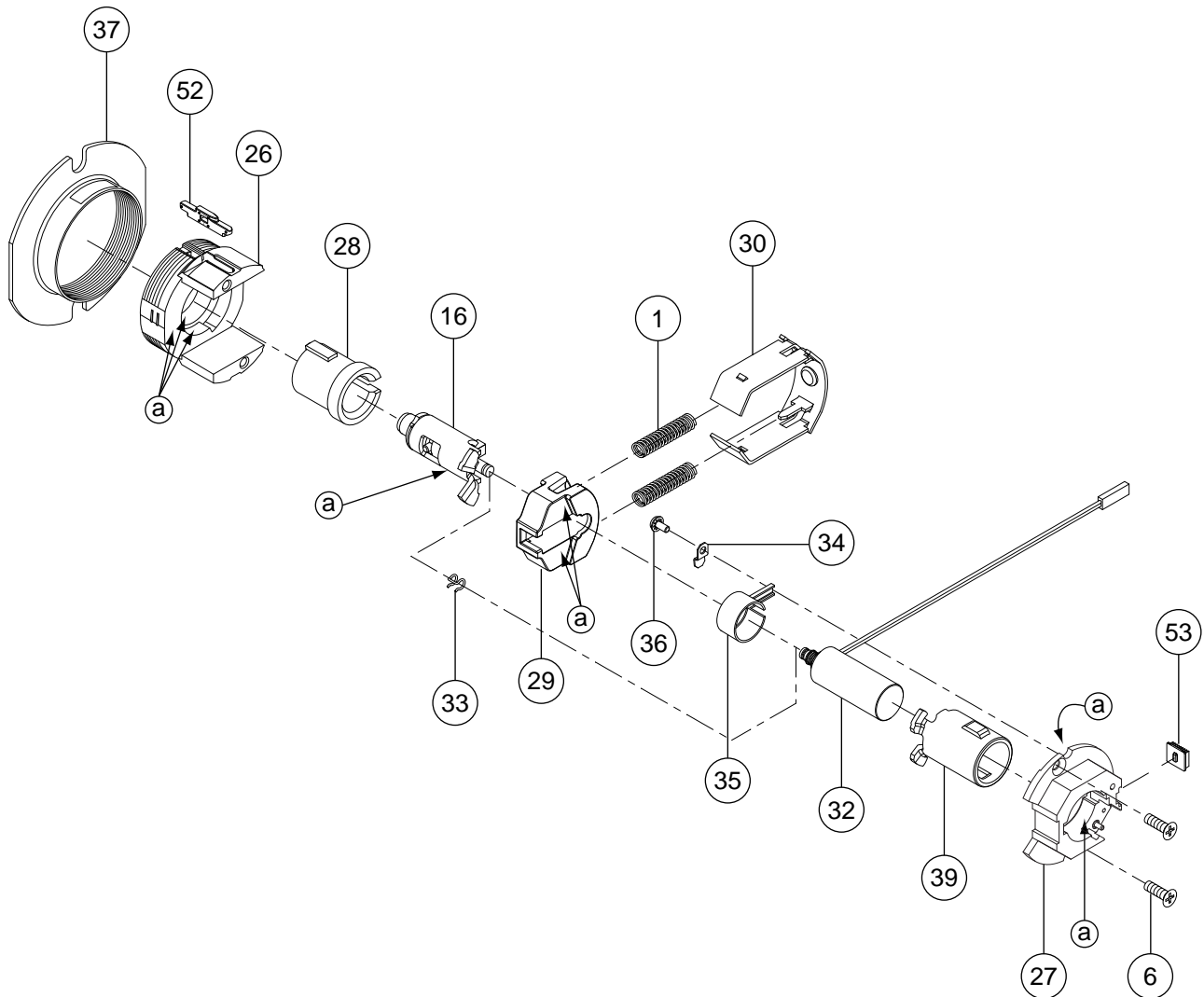
No.	Description	Part number
29	Slide	N523-149
30	Slide clip	N523-025
37	Adjustment plate	N523-054
38	Spindle	N523-056
52	Gauge insert	23988066
53	Insert, inside hub	N523-160*

* Not sold separately as a part.

Chassis

Storeroom lock with Vandlgard®— Electrically locked (fail safe)

ND96EL



No.	Description	Part number
1	Slide spring	C503-019
6	Chassis screw	L583-454
16	Electrified keycam assembly—Vandlgard®	N123-025
26	Outside electrified housing	24088551
27	Inside hub—electrified functions	24085078
28	Outside electrified spindle	N523-019
29	Slide	N523-149
30	Slide clip	N523-025
32	Solenoid—EL	N523-027

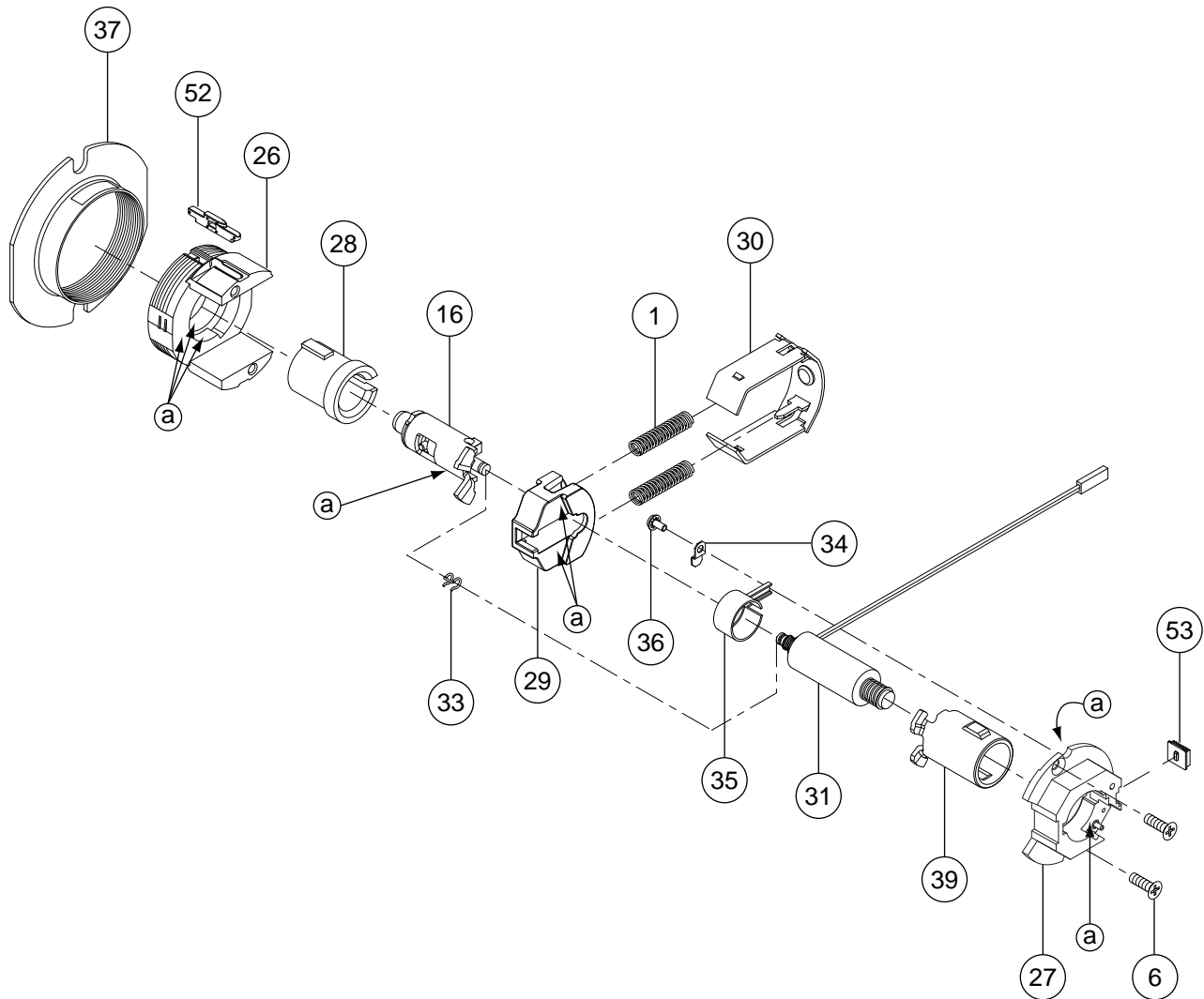
No.	Description	Part number
33	Clip	N523-028
34	Wire clamp	N523-029
35	Sleeve	N523-031
36	Wire clamp screw	N523-033
37	Adjustment plate	N523-054
39	Inside electrified strike	N523-057
52	Gauge insert	23988066
53	Insert, inside hub	N523-160 *

* Not sold separately as a part.

Chassis

Storeroom lock with Vandlgard®— Electrically unlocked (fail secure)

ND96EU



No.	Description	Part number
1	Slide spring	C503-019
6	Chassis screw	L583-454
16	Electrified keycam assembly—Vandlgard®	N123-025
26	Outside electrified housing	24088551
27	Inside hub—electrified functions	24085078
28	Outside electrified spindle	N523-019
29	Slide	N523-149
30	Slide clip	N523-025
31	Solenoid—EU	N523-026

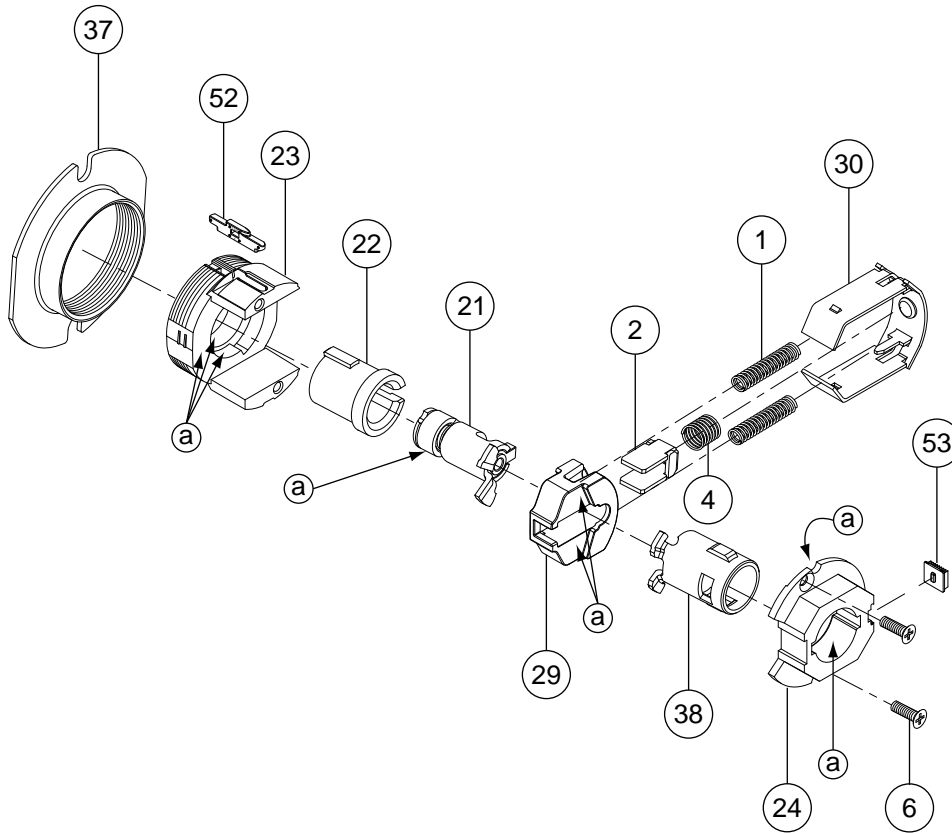
No.	Description	Part number
33	Clip	N523-028
34	Wire clamp	N523-029
35	Sleeve	N523-031
36	Wire clamp screw	N523-033
37	Adjustment plate	N523-054
39	Inside electrified spindle	N523-057
52	Gauge insert	23988066
53	Insert, inside hub	N523-160 *

* Not sold separately as a part.

Chassis

Corridor lock with Vandlgard®

ND97



No.	Description	Part number
1	Slide spring	C503-019
2	Restoring slide catch	C604-187
4	Slide catch spring	C604-191
6	Chassis screw	L583-454
21	Keycam assembly	N123-097
22	Spindle	N523-013
23	Outside housing	24088544

No.	Description	Part number
24	Inside hub	24085037
29	Slide	N523-149
30	Slide clip	N523-025
37	Adjustment plate	N523-054
38	Spindle	N523-056
52	Gauge insert	23988066
53	Insert, inside hub	N523-160*

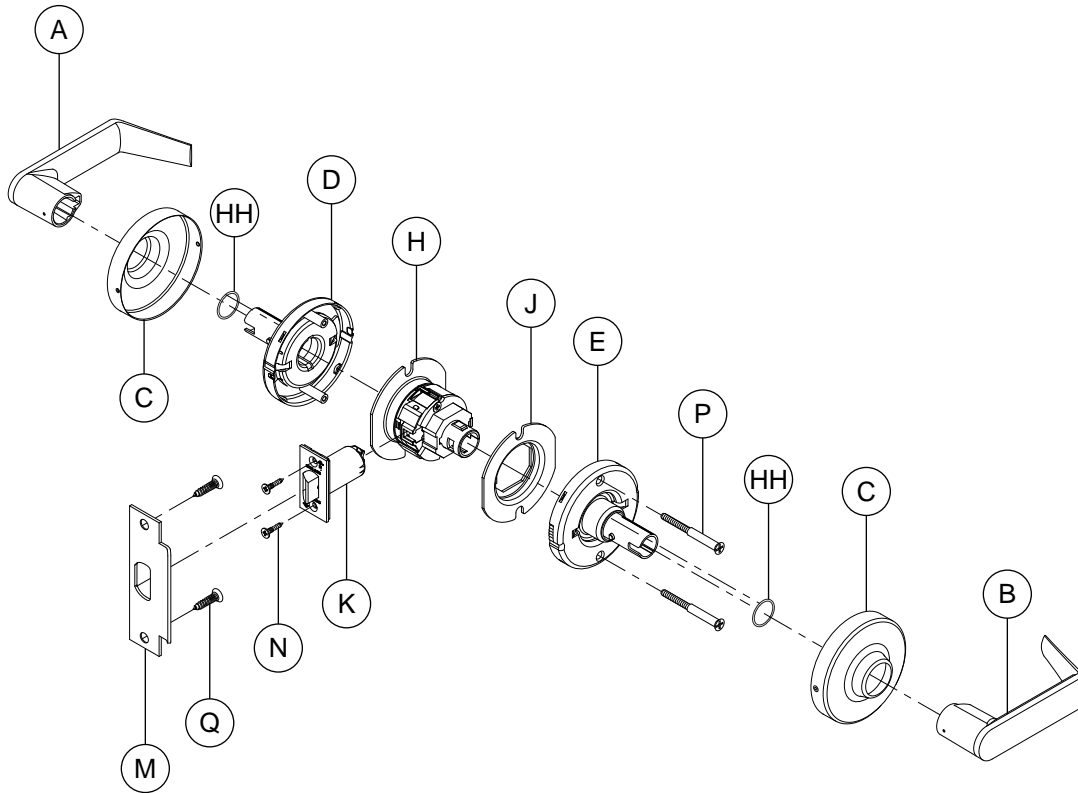
* Not sold separately as a part.

Trim assemblies

- 44 Passage latch
- 45 Exit lock
- 46 Exit lock request-to-exit
- 47 Exit lock—electrically locked (fail safe)
- 48 Exit lock— electrically locked (fail safe) request-to-exit
- 49 Exit lock and storeroom lock— electrically unlocked (fail secure)
- 50 Exit lock and storeroom lock—electrically unlocked (fail secure) request-to-exit
- 51 Single dummy trim
- 52 Exit lock with blank plate
- 53 Special—classroom exit lock
- 54 Special—storeroom exit lock
- 55 Special—patio lock
- 56 Bath/bedroom privacy lock
- 57 Hospital privacy lock
- 58 Entrance/office lock
- 59 Entrance lock
- 60 Vestibule lock
- 61 ND60 with closed outside lever: special
- 62 Store lock
- 63 Classroom lock
- 64 Special—classroom by storeroom lock
- 65 Special—communicating lock
- 66 Special—communicating lock with Vandlgard®
- 67 Corridor lock
- 68 Classroom security lock
- 69 Storeroom lock
- 70 Storeroom lock with request-to-exit
- 71 Storeroom lock— electrically locked (fail safe)
- 72 Storeroom lock—electrically locked (fail safe) with request-to-exit
- 73 Storeroom lock—electrically unlocked (fail secure)
- 74 Storeroom lock—electrically unlocked (fail secure) with request-to-exit
- 75 Institution lock
- 76 Faculty restroom lock
- 77 Entrance/office lock with Vandlgard®
- 78 Entrance lock with Vandlgard®
- 79 Vestibule with Vandlgard®
- 80 Classroom lock with Vandlgard®
- 81 Classroom security lock with Vandlgard®
- 82 Storeroom lock with Vandlgard®
- 83 Storeroom lock with Vandlgard®— electrically locked (fail safe)
- 84 Storeroom lock with Vandlgard®—electrically unlocked (fail secure)
- 85 Corridor lock with Vandlgard®

Passage latch

ND10



Letter	Description	Part number
A	Outside lever—closed	03-030
B	Inside lever—closed	03-030
C	Rose	03-042
D	Outside spring cage—passage	N123-043
E	Inside spring cage—standard	N123-032
H	Chassis	24088254*
J	Anti-rotation plate	N523-055

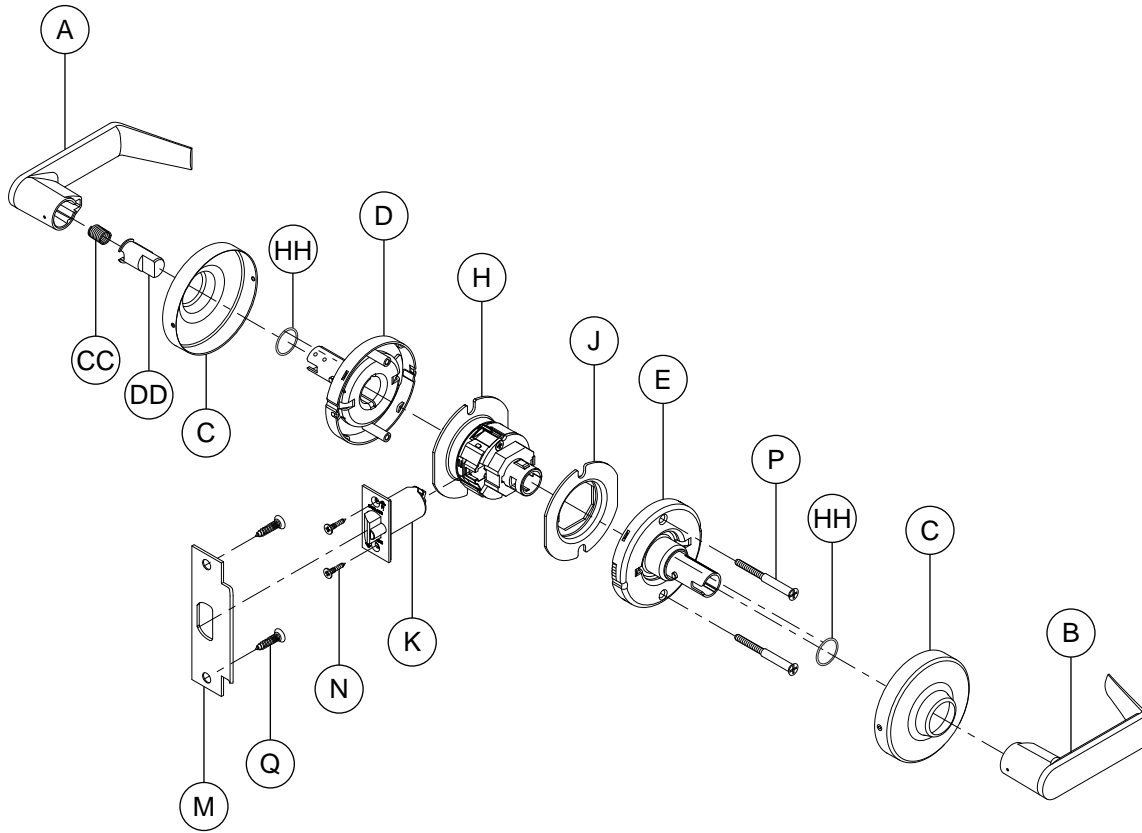
Letter	Description	Part number
K	Springlatch	13-048
M	Strike	10-025
N	Latch screw	C603-897
P	Mounting screw	N523-021
Q	Strike screw	C603-256
HH	Soft durometer spacer	24055246

* Chassis part number is for reference only.

Trim assemblies

Exit lock

ND12



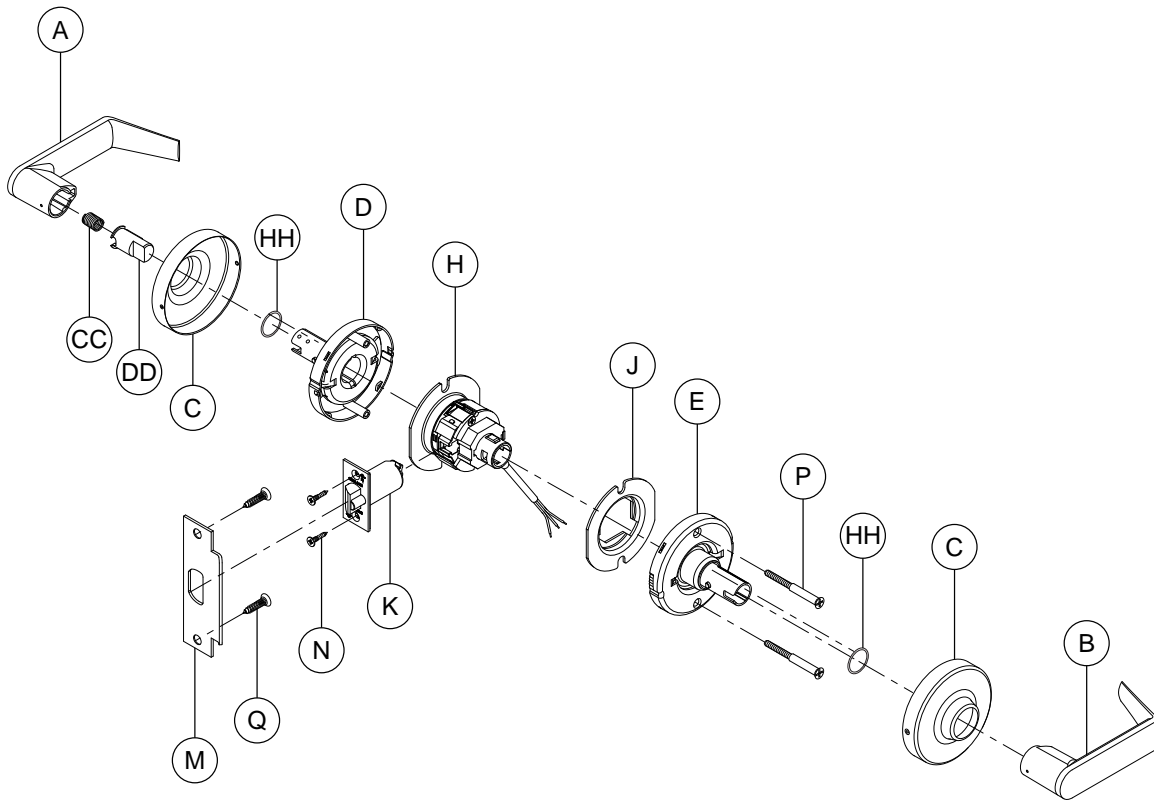
Letter	Description	Part number
A	Outside lever—closed	03-030
B	Inside lever—closed	03-030
C	Rose	03-042
D	Outside spring cage—passage	N123-022
E	Inside spring cage—standard	N123-032
H	Chassis	24088262*
J	Anti-rotation plate	N523-055
K	Springlatch	13-048

Letter	Description	Part number
M	Strike	10-025
N	Latch screw	C603-897
P	Mounting screw	N523-021
Q	Strike screw	C603-256
CC	Spring	C503-331
DD	Catch stop	N523-041
HH	Soft durometer spacer	24055246

* Chassis part number is for reference only.

Exit lock request-to-exit

ND12 RX



Letter	Description	Part number
A	Outside lever—closed	03-030
B	Inside lever—closed	03-030
C	Rose	03-042
D	Outside spring cage—passage	N123-022
E	Inside spring cage—standard	N123-032
H	Chassis	24088437*
J	Anti-rotation plate	N523-131
K	Springlatch	13-048

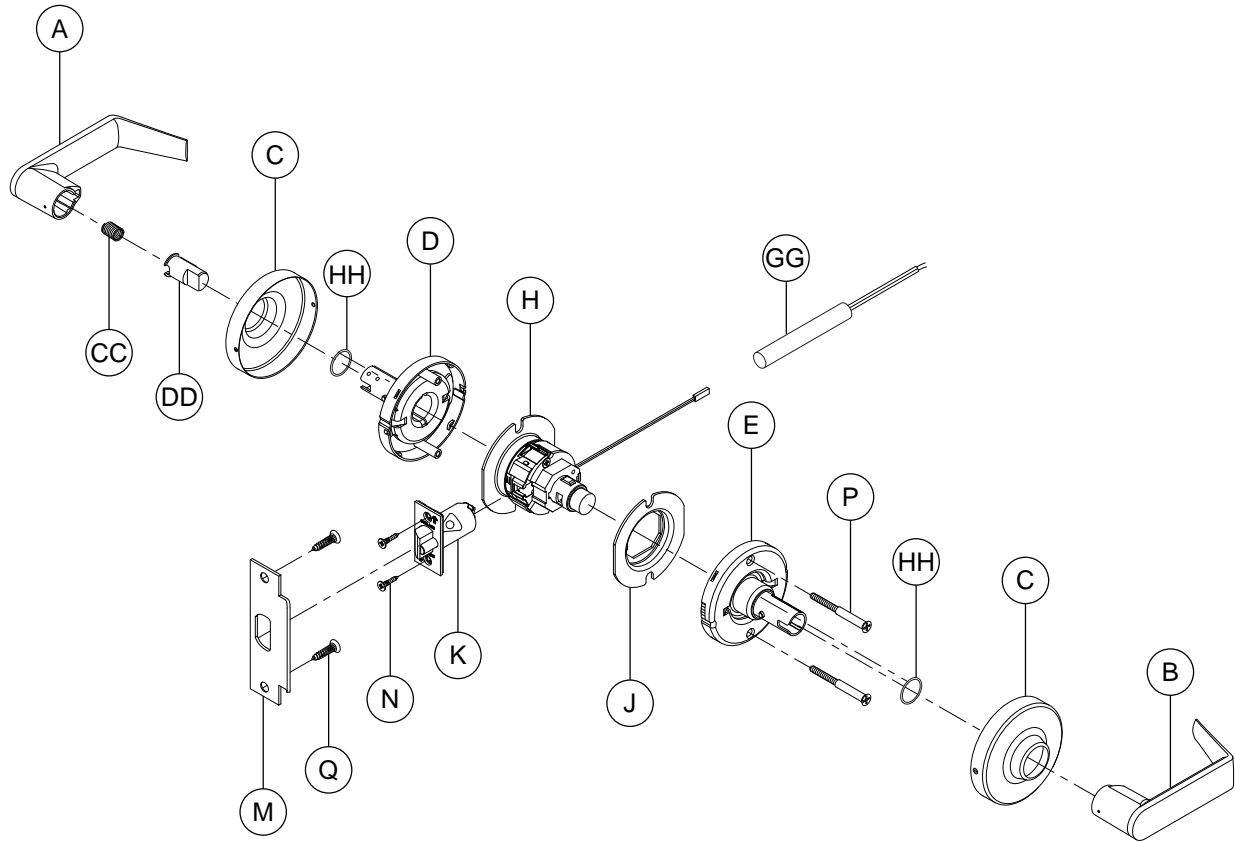
Letter	Description	Part number
M	Strike	10-025
N	Latch screw	C603-897
P	Mounting screw	N523-021
Q	Strike screw	C603-256
CC	Spring	C503-331
DD	Catch stop	N523-041
HH	Soft durometer spacer	24055246

* Chassis part number is for reference only.

Trim assemblies

Exit lock—electrically locked (fail safe)

ND12EL



Letter	Description	Part number
A	Outside lever—closed	03-030
B	Inside lever—closed	03-030
C	Rose	03-042
D	Outside spring cage—passage	N123-022
E	Inside spring cage—standard	N123-032
H	Chassis	63-106*
J	Anti-rotation plate	N523-055
K	Electrified latch	**

Letter	Description	Part number
M	Strike	10-025
N	Latch screw	C603-897
P	Mounting screw	N523-021
Q	Strike screw	C603-256
CC	Spring	C503-331
DD	Catch stop	N523-041
GG	Ac rectifier circuit	C303-439

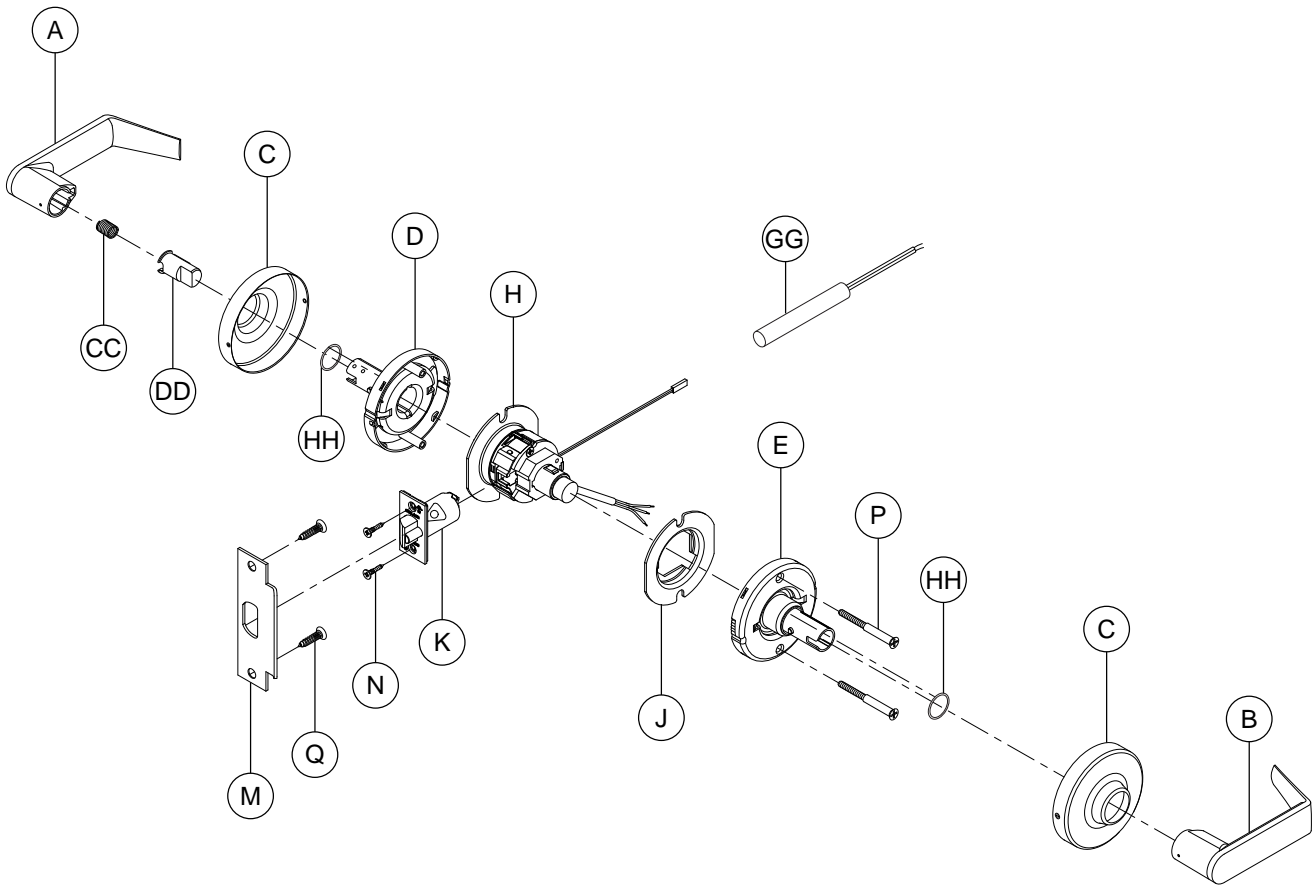
** Not sold separately as a part.

* Chassis part number is for reference only.

Trim assemblies

Exit lock— electrically locked (fail safe) request-to-exit

ND12EL RX



Letter	Description	Part number
A	Outside lever—closed	03-030
B	Inside lever—closed	03-030
C	Rose	03-042
D	Outside spring cage—passage	N123-022
E	Inside spring cage—standard	N123-032
H	Chassis	63-215*
J	Anti-rotation plate	N523-131
K	Electrified latch	**

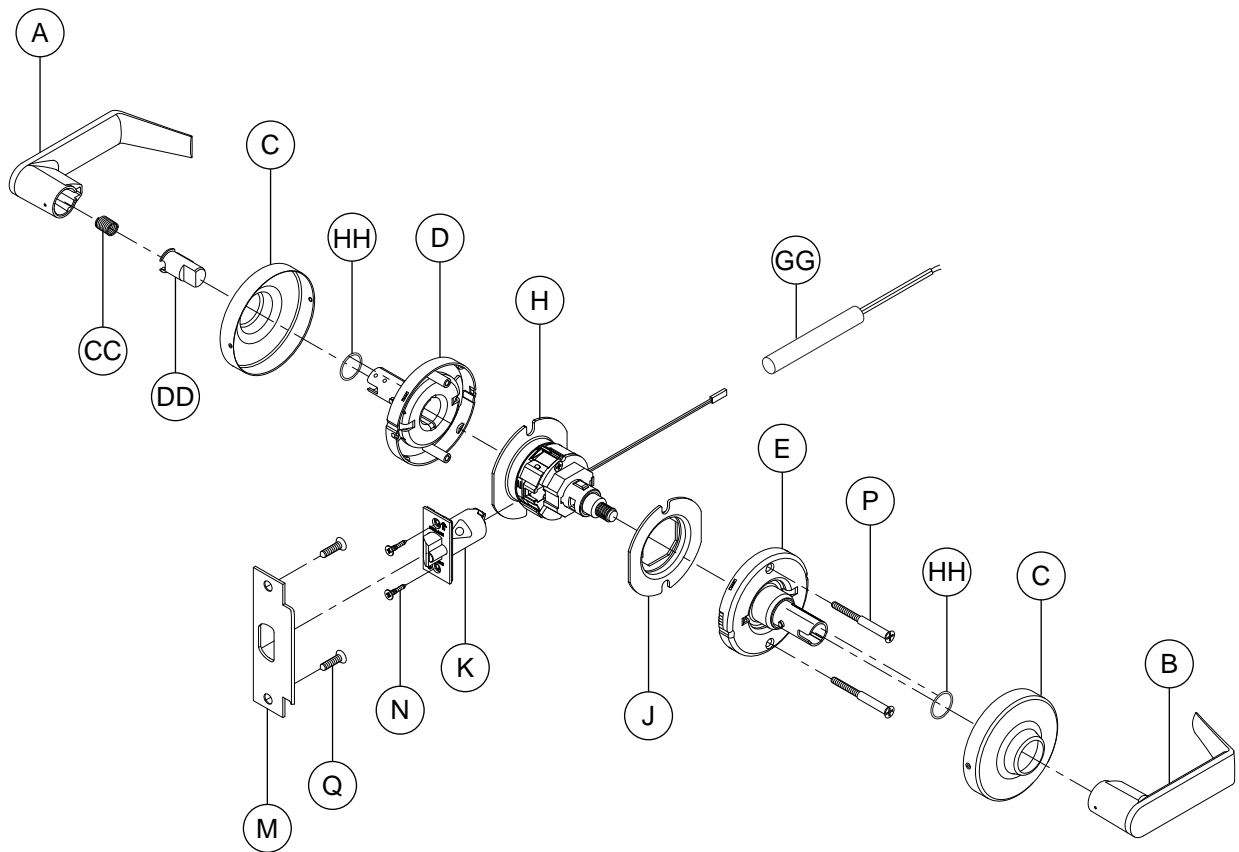
Letter	Description	Part number
M	Strike	10-025
N	Latch screw	C603-897
P	Mounting screw	N523-021
Q	Strike screw	C603-256
CC	Spring	C503-331
DD	Catch stop	N523-041
GG	Ac rectifier circuit	C303-439
HH	Soft durometer spacer	24055246

** Not sold separately as a part.

* Chassis part number is for reference only.

Exit lock and storeroom lock— electrically unlocked (fail secure)

ND12EU



Letter	Description	Part number
A	Outside lever—closed	03-030
B	Inside lever—closed	03-030
C	Rose	03-042
D	Outside spring cage—passage	N123-022
E	Inside spring cage—standard	N123-032
H	Chassis	63-105*
J	Anti-rotation plate	N523-055
K	Electrified latch	**

Letter	Description	Part number
M	Strike	10-025
N	Latch screw	C603-897
P	Mounting screw	N523-021
Q	Strike screw	C603-256
CC	Spring	C503-331
DD	Catch stop	N523-041
GG	Ac rectifier circuit	C303-439
HH	Soft durometer spacer	24055246

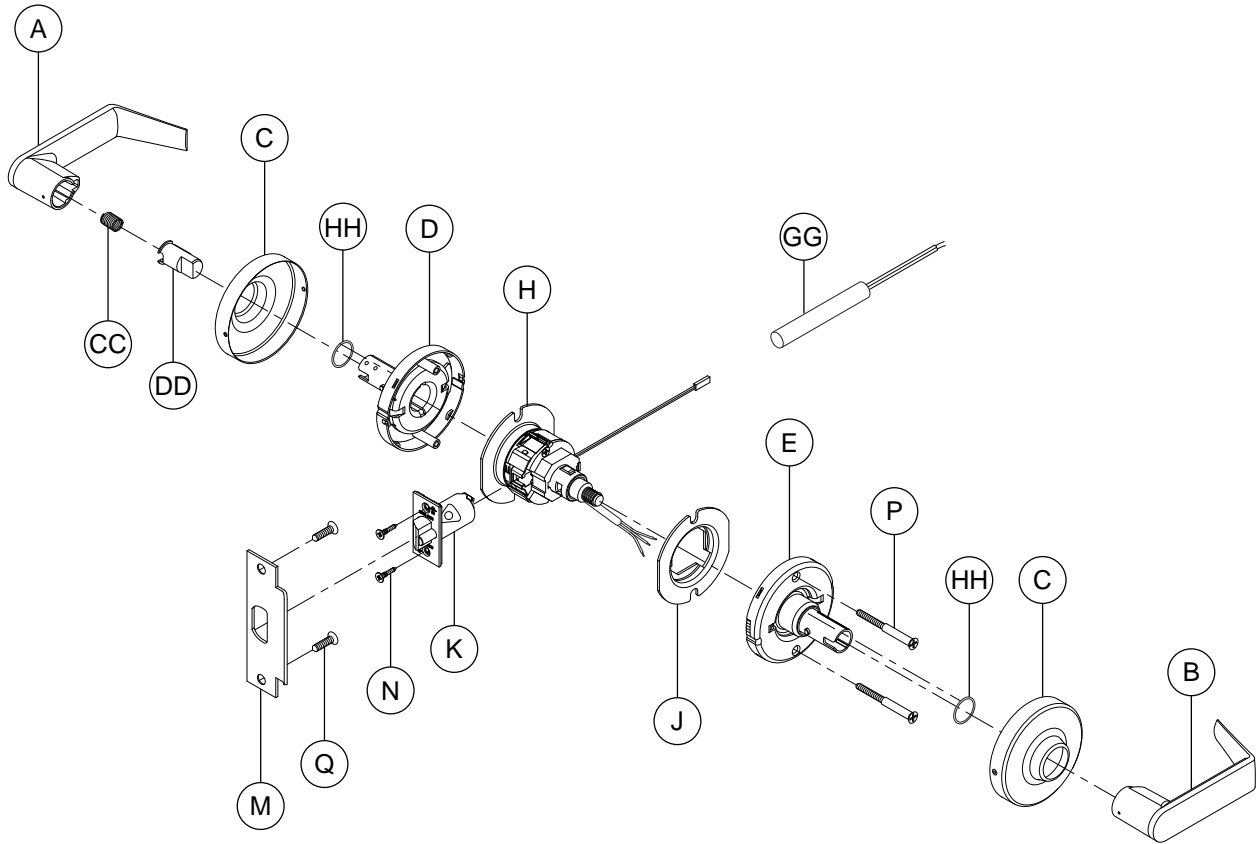
** Not sold separately as a part.

* Chassis part number is for reference only.

Trim assemblies

Exit lock and storeroom lock—electrically unlocked (fail secure) request-to-exit

ND12EU RX



Letter	Description	Part number
A	Outside lever—closed	03-030
B	Inside lever—closed	03-030
C	Rose	03-042
D	Outside spring cage—passage	N123-022
E	Inside spring cage—standard	N123-032
H	Chassis	63-216*
J	Anti-rotation plate	N523-131
K	Electrified latch	**

Letter	Description	Part number
M	Strike	10-025
N	Latch screw	C603-897
P	Mounting screw	N523-021
Q	Strike screw	C603-256
CC	Spring	C503-331
DD	Catch stop	N523-041
GG	Ac rectifier circuit	C303-439
HH	Soft durometer spacer	24055246

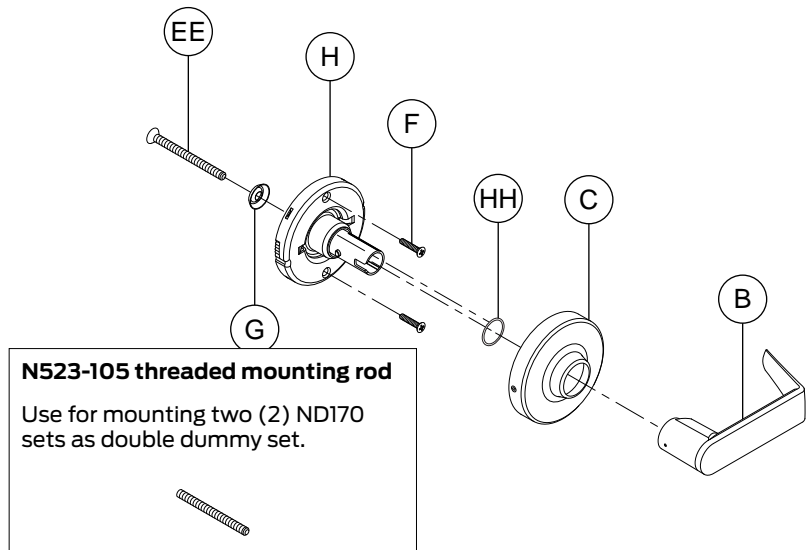
** Not sold separately as a part.

* Chassis part number is for reference only.

Trim assemblies

Single dummy trim

ND170



Letter	Description	Part number
B	Inside lever—closed	03-030
C	Rose	03-042
F	Dummy mounting screws	L583-133
G	Washer	A501-171

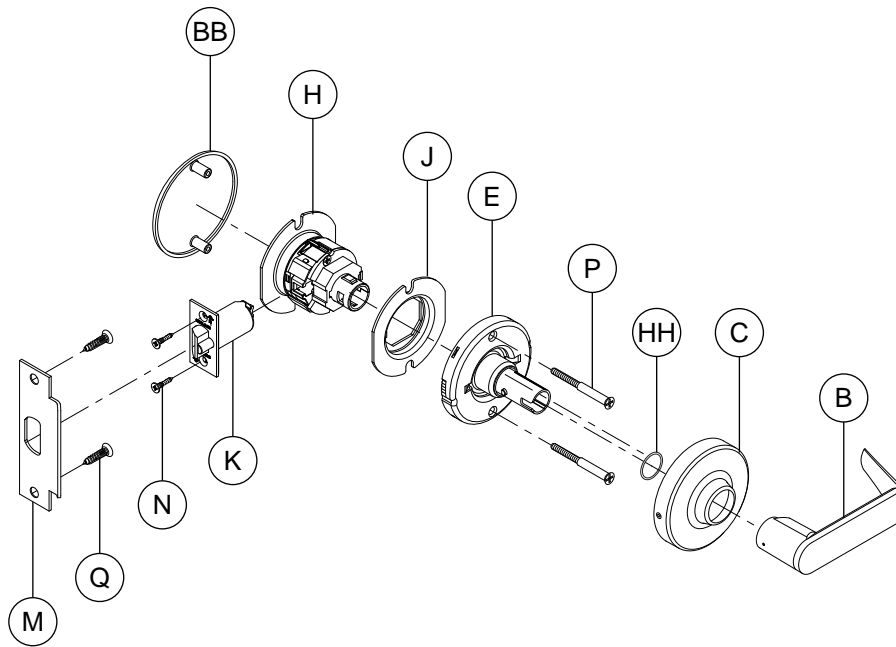
Letter	Description	Part number
H	Chassis	63-104*
EE	Dummy through bolt	N523-092
HH	Soft durometer spacer	24055246

* Chassis part number is for reference only.

Trim assemblies

Exit lock with blank plate

ND25



Letter	Description	Part number
B	Inside lever—closed	03-030
C	Rose	03-042
E	Inside spring cage—standard	N123-032
H	Chassis	24088296*
J	Anti-rotation plate	N523-055
K	Deadlatch	13-047

Letter	Description	Part number
M	Strike	10-025
N	Latch screw	C603-897
P	Mounting screw	N523-021
Q	Strike screw	C603-256
BB	Blank plate	N523-002
HH	Soft durometer spacer	24055246

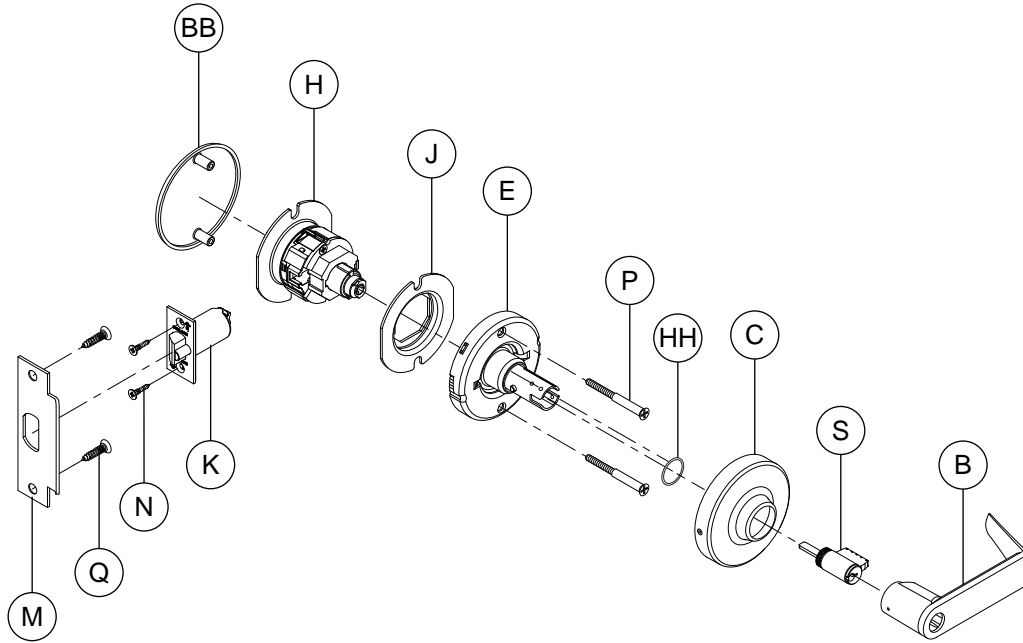
* Chassis part number is for reference only.

Trim assemblies

Special—classroom exit lock

ND25X70

ND25X70PD (shown), ND25X70RD†, ND25X70GD†



Letter	Description	Part number
B	Inside lever—open	03-031
C	Rose	03-042
E	Inside spring cage—keyed inside except SFIC	N123-021
H	Chassis	24088213*
J	Anti-rotation plate	N523-055
K	Deadlatch	13-047
M	Strike	10-025

Letter	Description	Part number
N	Latch screw	C603-897
P	Mounting screw	N523-021
Q	Strike screw	C603-256
S	Cylinder—6-pin	23-065
BB	Blank plate	N523-002
HH	Soft durometer spacer	24055246

† For RD (Full Size Interchangeable Core) and GD (SFIC) inside trim configurations, see 86.

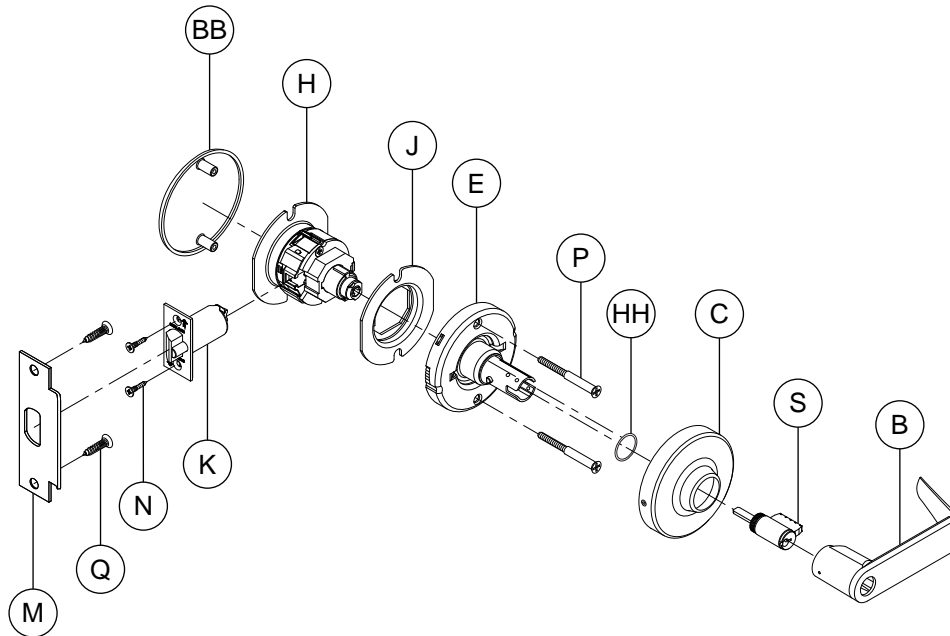
* Chassis part number is for reference only.

Trim assemblies

Special—storeroom exit lock

ND25X80

ND25X80PD (shown), ND25X80RD†, ND25X80GD†



Letter	Description	Part number
B	Inside lever—open	03-031
C	Rose	03-042
E	Inside spring cage—keyed inside except SFIC	N123-021
H	Chassis	24088221*
J	Anti-rotation plate	N523-055
K	Deadlatch	13-047
M	Strike	10-025

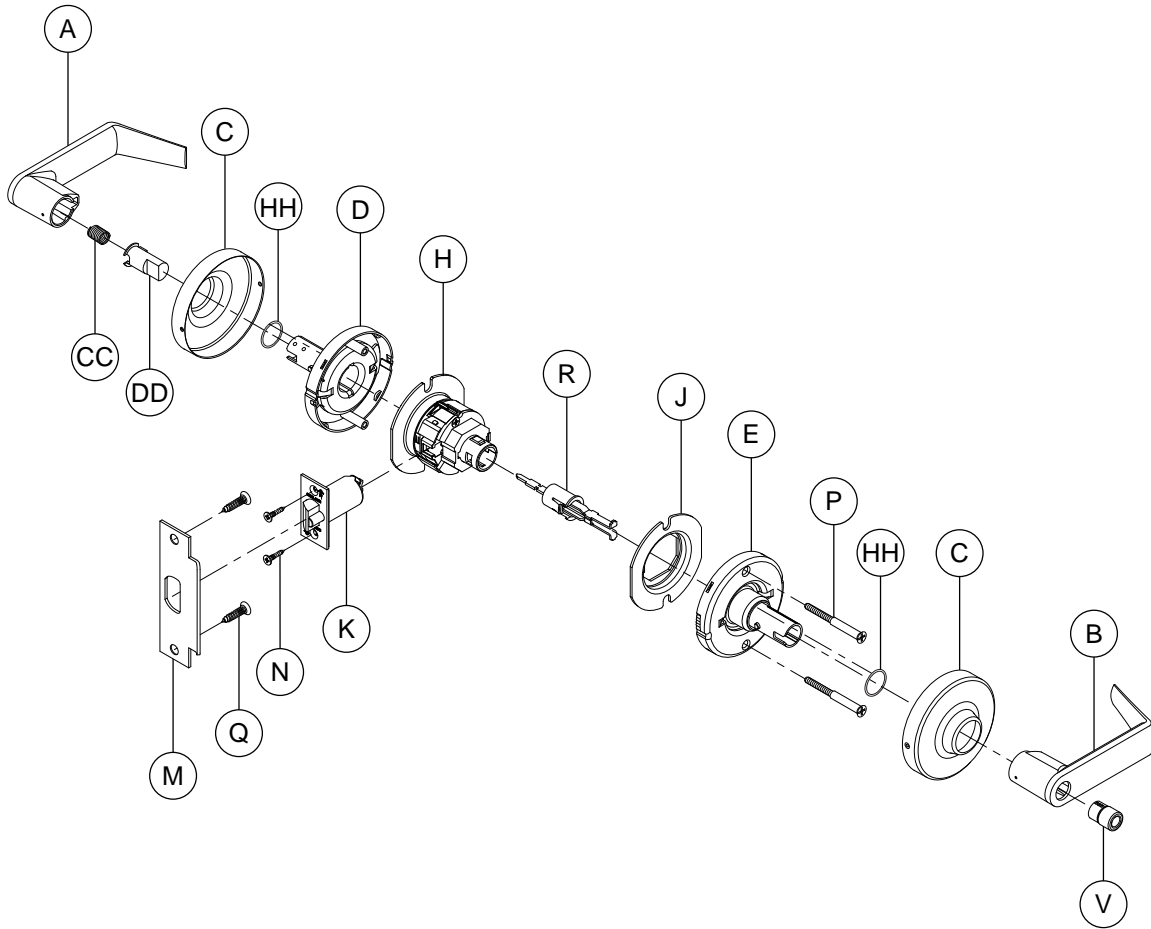
Letter	Description	Part number
M	Strike	10-025
N	Latch screw	C603-897
P	Mounting screw	N523-021
Q	Strike screw	C603-256
S	Cylinder—6-pin	23-065
BB	Blank plate	N523-002
HH	Soft durometer spacer	24055246

† For RD (Full Size Interchangeable Core) and GD (SFIC) inside trim configurations, see 86.

* Chassis part number is for reference only.

Special—patio lock

ND30



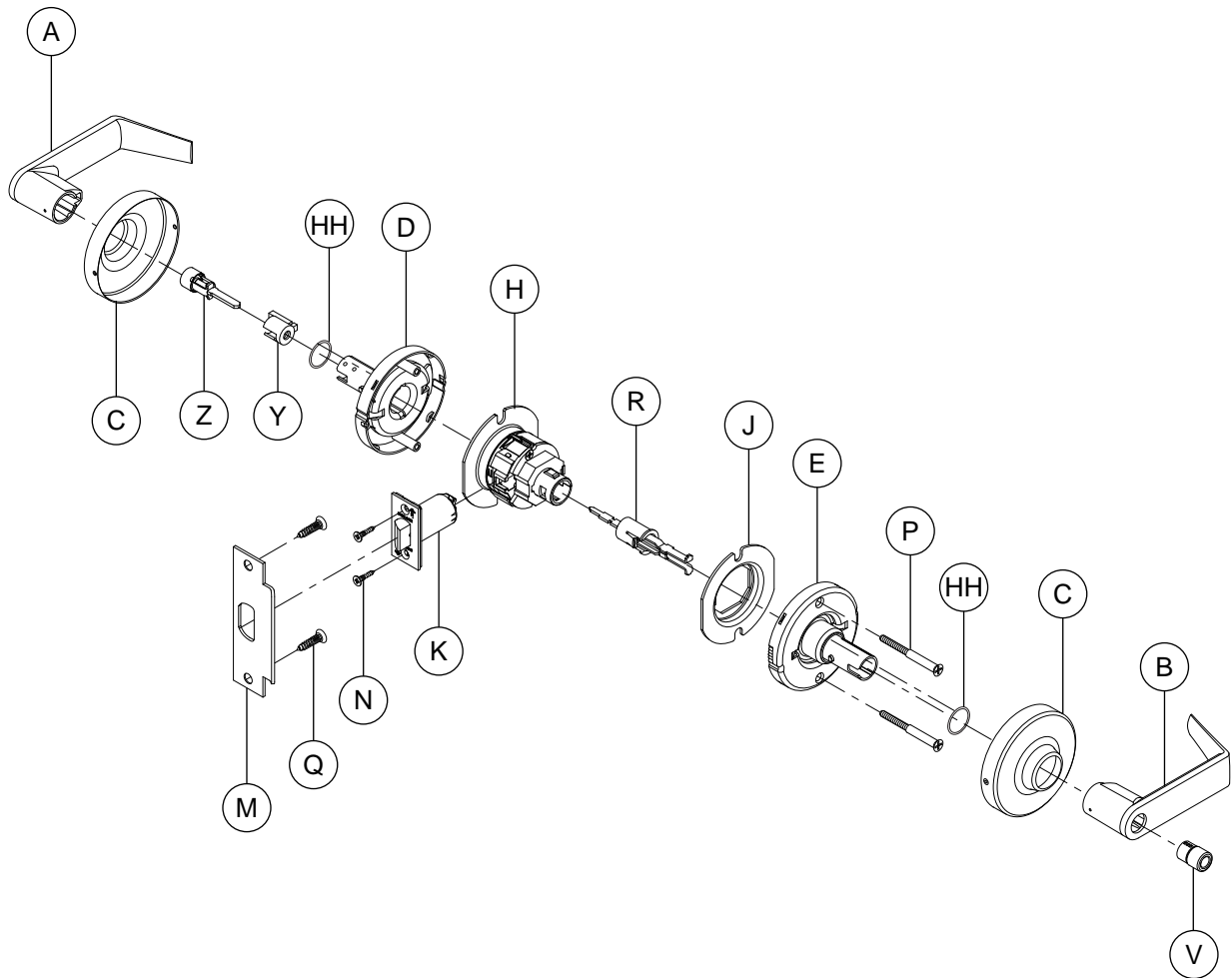
Letter	Description	Part number
A	Outside lever—closed	03-030
B	Inside lever—open	03-031
C	Rose	03-042
D	Outside spring cage—standard	N123-022
E	Inside spring cage—standard	N123-032
H	Chassis	24088304*
J	Anti-rotation plate	N523-055
K	Deadlatch	13-047
M	Strike	10-025

Letter	Description	Part number
N	Latch screw	C603-897
P	Mounting screw	N523-021
Q	Strike screw	C603-256
R	Plunger—push button	N123-028
V	Push button	N523-000
CC	Spring	C503-331
DD	Catch stop	N523-041
HH	Soft durometer spacer	24055246

* Chassis part number is for reference only.

Bath/bedroom privacy lock

ND40



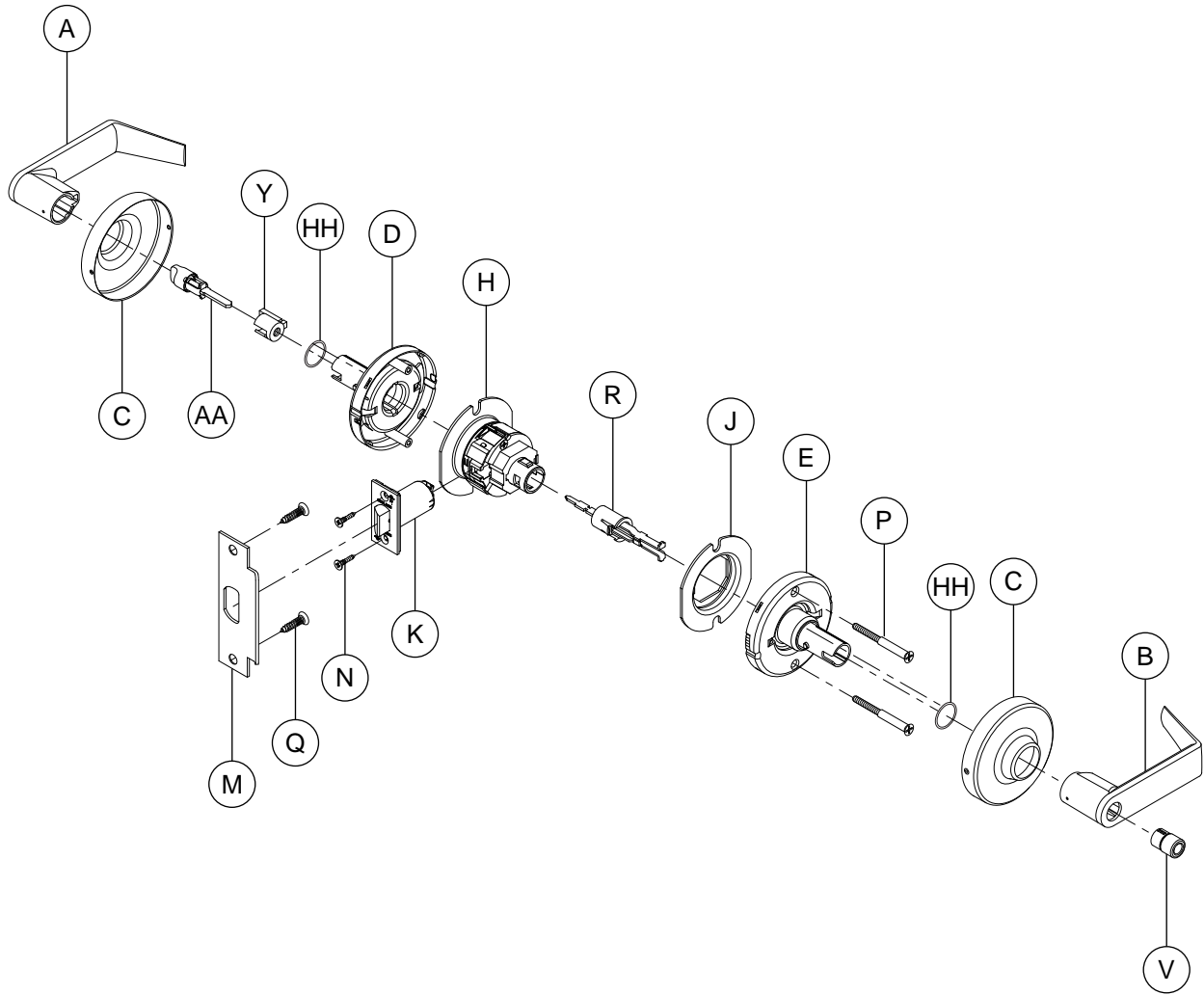
Letter	Description	Part number
A	Outside lever—open	03-031
B	Inside lever—open	03-031
C	Rose	03-042
D	Outside spring cage—standard	N123-022
E	Inside spring cage—standard	N123-032
H	Chassis	24088304*
J	Anti-rotation plate	N523-055
K	Springlatch	13-048
M	Strike	10-025

Letter	Description	Part number
N	Latch screw	C603-897
P	Mounting screw	N523-021
Q	Strike screw	C603-256
R	Plunger—push button	N123-028
V	Push button	N523-000
Y	Emergency cylinder	N523-020
Z	Emergency button and plunger	N123-034
HH	Soft durometer spacer	24055246

* Chassis part number is for reference only.

Hospital privacy lock

ND44



Letter	Description	Part number
A	Outside lever—open	03-031
B	Inside lever—open	03-031
C	Rose	03-042
D	Outside spring cage—standard	N123-022
E	Inside spring cage—standard	N123-032
H	Chassis	24088304*
J	Anti-rotation plate	N523-055
K	Springlatch	13-048
M	Strike	10-025

Letter	Description	Part number
N	Latch screw	C603-897
P	Mounting screw	N523-021
Q	Strike screw	C603-256
R	Plunger—push button	N123-028
V	Push button	N523-000
Y	Emergency cylinder	N523-020
AA	Emergency turn button and plunger	N123-035
HH	Soft durometer spacer	24055246

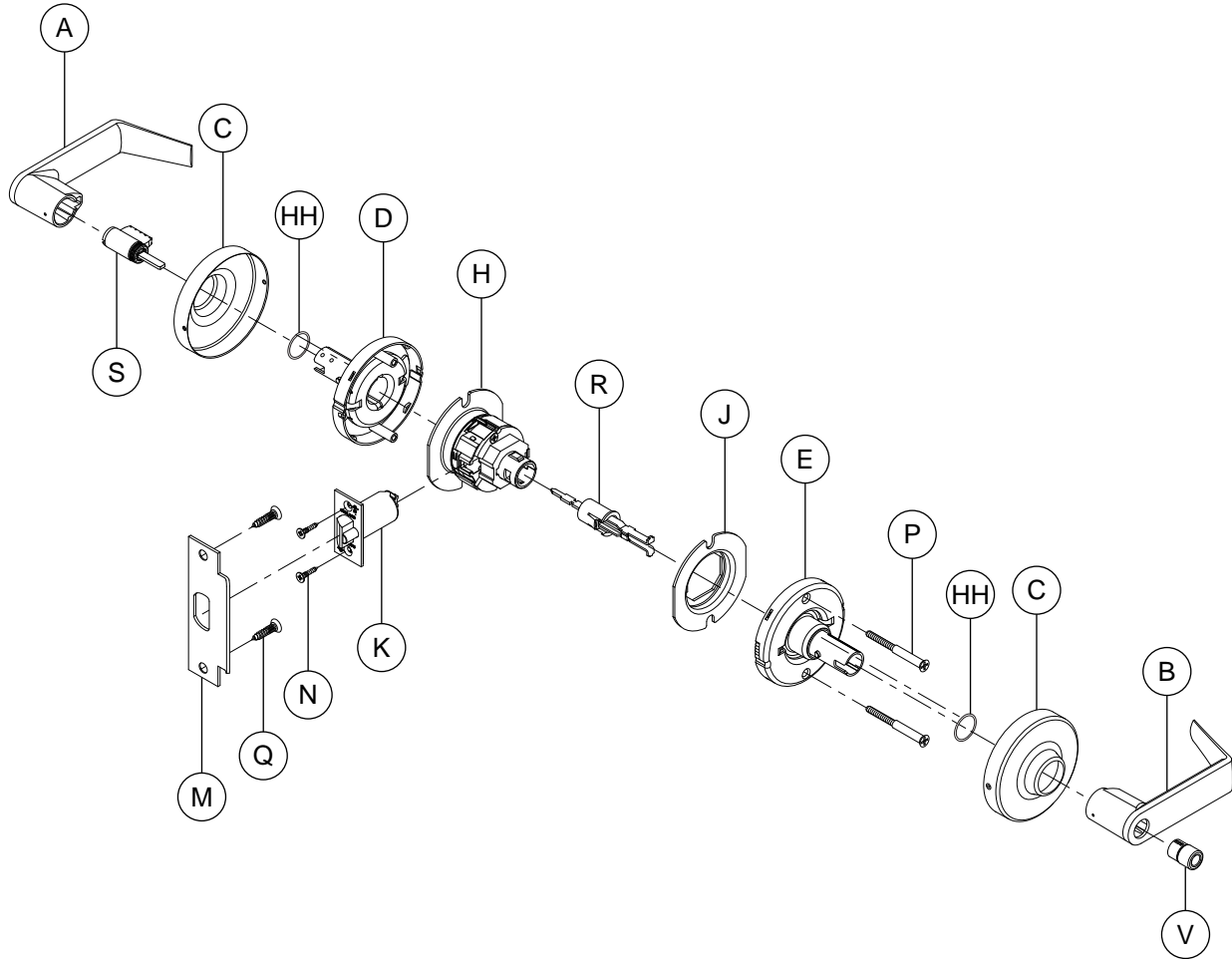
* Chassis part number is for reference only.

Trim assemblies

Entrance/office lock

ND50

ND50PD (shown), ND50RD†, ND50GD†



Letter	Description	Part number
A	Outside lever—open	03-031
B	Inside lever—open	03-031
C	Rose	03-042
D	Outside spring cage—standard	N123-022
E	Inside spring cage—standard	N123-032
H	Chassis	24088247*
J	Anti-rotation plate	N523-055
K	Deadlatch	13-047

Letter	Description	Part number
M	Strike	10-025
N	Latch screw	C603-897
P	Mounting screw	N523-021
Q	Strike screw	C603-256
R	Plunger—push button	N123-028
S	Cylinder—6-pin	23-065
V	Push button	N523-000
HH	Soft durometer spacer	24055246

† For RD (Full Size Interchangeable Core) and GD (SFIC) inside trim configurations, see 86.

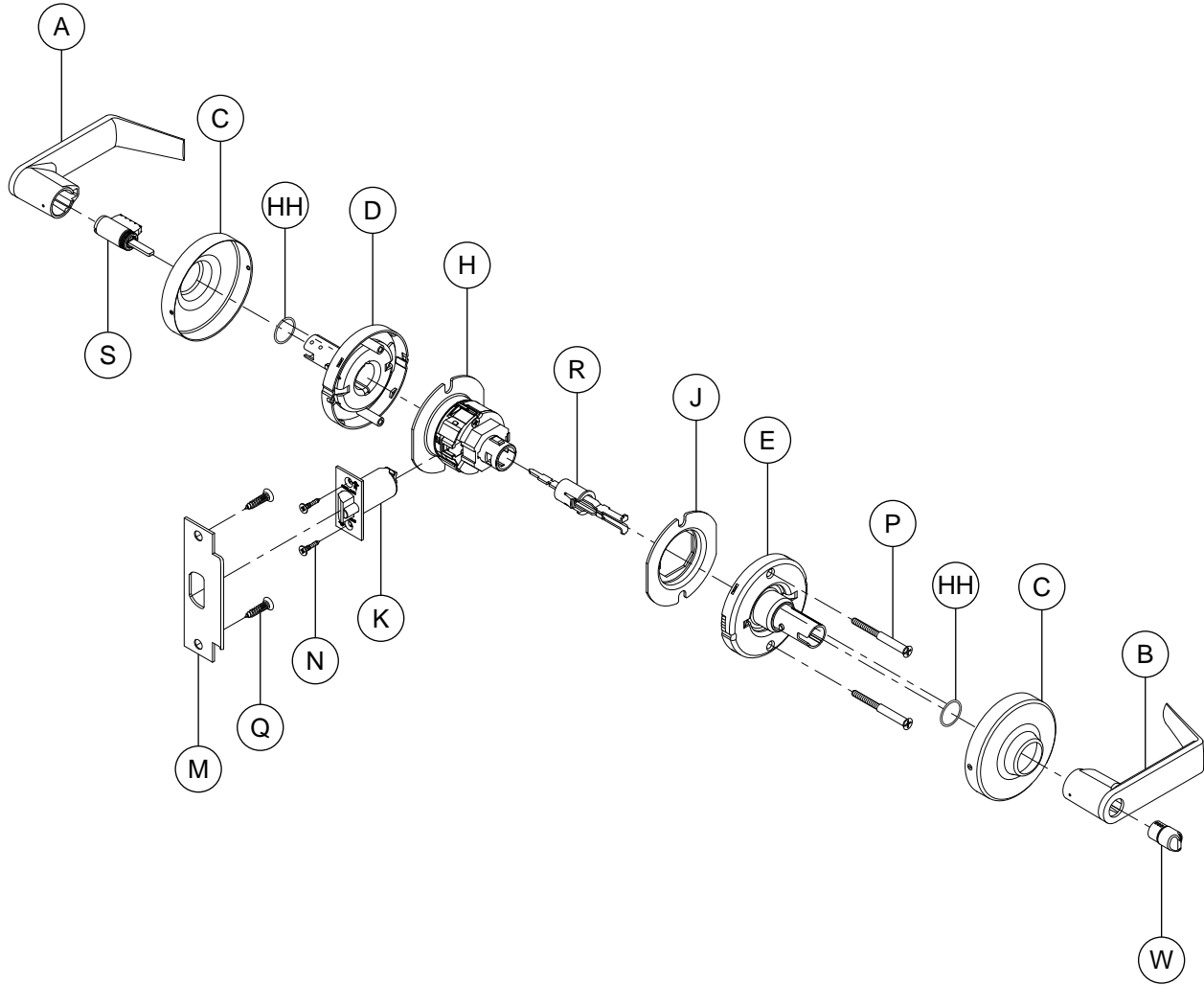
* Chassis part number is for reference only.

Trim assemblies

Entrance lock

ND53

ND53PD (shown), ND53RD†, ND53GD†



Letter	Description	Part number
A	Outside Lever—Open	03-031
B	Inside Lever—Open	03-031
C	Rose	03-042
D	Outside Spring Cage—Standard	N123-022
E	Inside Spring Cage—Standard	N123-032
H	Chassis	24088247*
J	Anti-Rotation Plate	N523-055
K	Deadlatch	13-047

Letter	Description	Part number
M	Strike	10-025
N	Latch Screw	C603-897
P	Mounting Screw	N523-021
Q	Strike Screw	C603-256
R	Plunger—Push and Turn	N123-017
S	Cylinder—6-Pin	23-065
W	Push and Turn Button	N523-001
HH	Soft Durometer Spacer	24055246

† For RD (Full Size Interchangeable Core) and GD (SFIC) inside trim configurations, see 86.

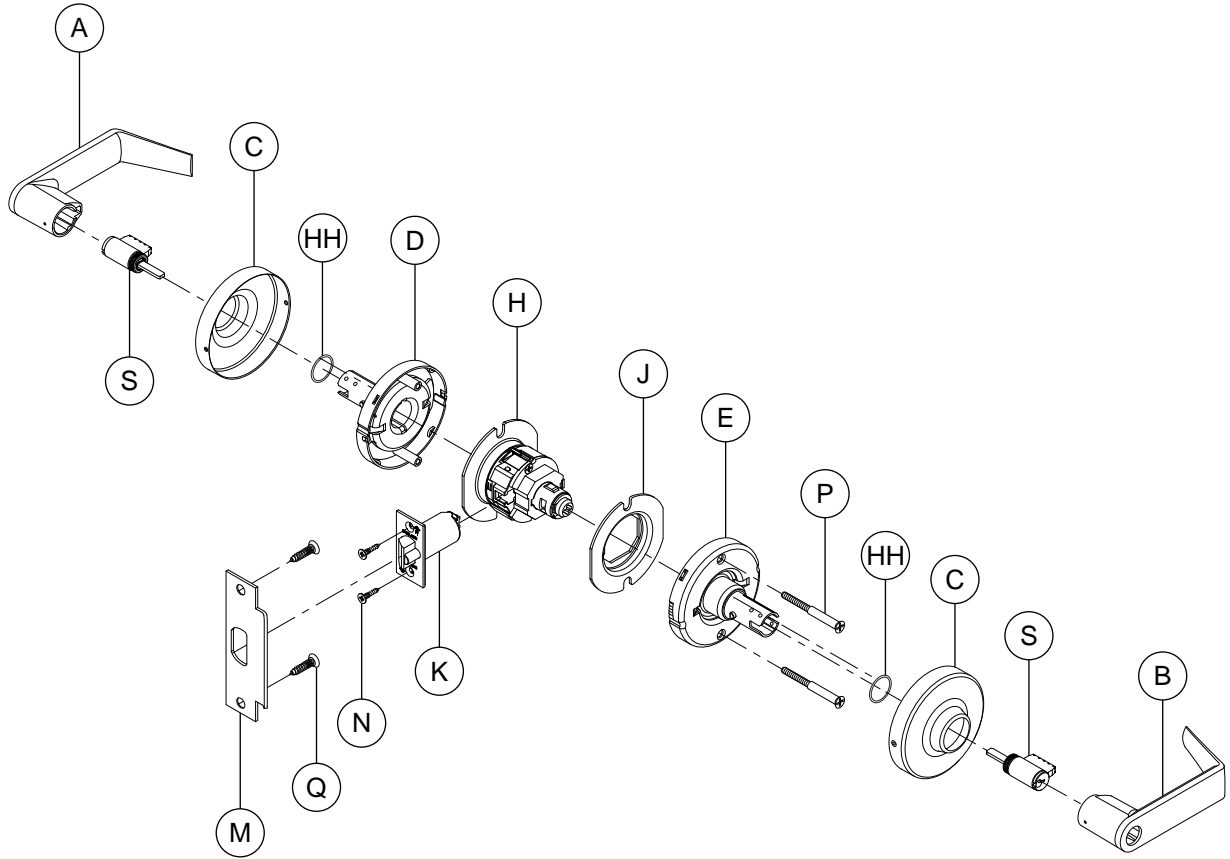
* Chassis part number is for reference only.

Trim assemblies

Vestibule lock

ND60

ND60PD (shown), ND60RD†, ND60GD†



Letter	Description	Part number
A	Outside lever—open	03-031
B	Inside lever—open	03-031
C	Rose	03-042
D	Outside spring cage—standard	N123-022
E	Inside spring cage—keyed inside except SFIC	N123-021
H	Chassis	24088320*
J	Anti-rotation plate	N523-055

Letter	Description	Part number
K	Deadlatch	13-047
M	Strike	10-025
N	Latch screw	C603-897
P	Mounting screw	N523-021
Q	Strike screw	C603-256
S	Cylinder—6-pin	23-065
HH	Soft durometer spacer	24055246

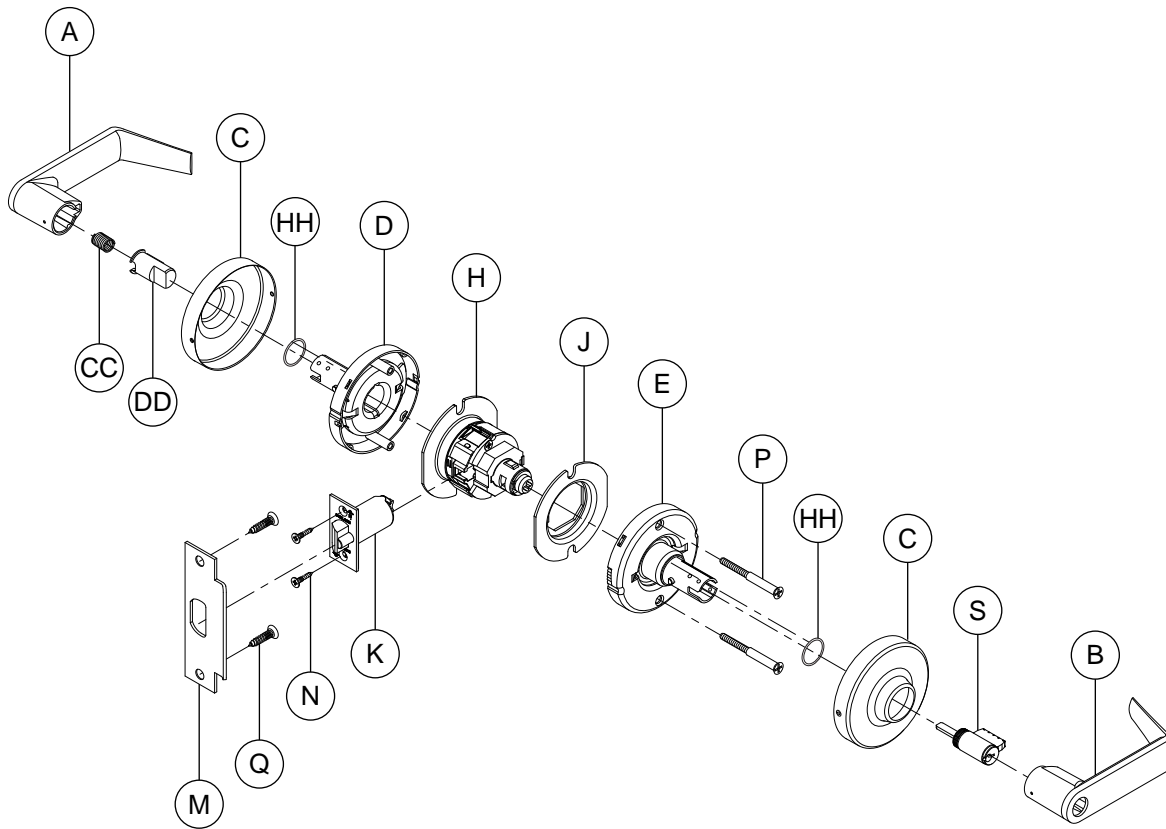
† For RD (Full Size Interchangeable Core) and GD (SFIC) inside trim configurations, see 86.

* Chassis part number is for reference only.

Trim assemblies

ND60 with closed outside lever: special

ND60PD with closed outside lever (shown), ND60RD†, ND60GD†



Letter	Description	Part number
A	Outside lever—closed	03-030
B	Inside lever—open	03-031
C	Rose	03-042
D	Outside spring cage—standard	N123-022
E	Inside spring cage—keyed inside except SFIC	N123-021
H	Chassis	24088320*
J	Anti-rotation plate	N523-055
M	Strike	10-025

Letter	Description	Part number
N	Latch screw	C603-897
P	Mounting screw	N523-021
Q	Strike screw	C603-256
S	Cylinder—6-pin	23-065
CC	Spring	C503-331
DD	Catch stop	N523-041
HH	Soft durometer spacer	24055246

† For RD (Full Size Interchangeable Core) and GD (SFIC) inside trim configurations, see 86.

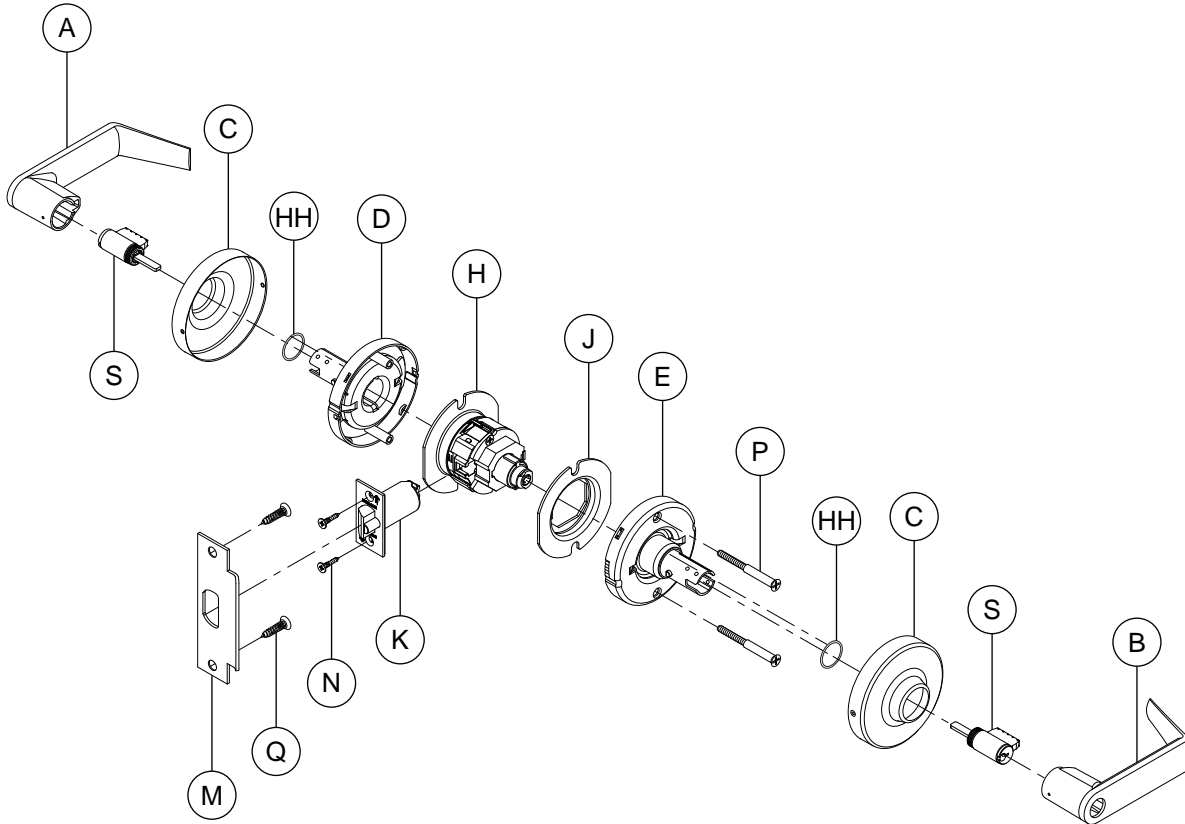
* Chassis part number is for reference only.

Trim assemblies

Store lock

ND66

ND66PD (shown), ND66RD†, ND66GD†



Letter	Description	Part number
A	Outside lever—open	03-031
B	Inside lever—open	03-031
C	Rose	03-042
D	Outside spring cage—standard	N123-022
E	Inside spring cage—keyed inside except SFIC	N123-021
H	Chassis	24088338*
J	Anti-rotation plate	N523-055

Letter	Description	Part number
K	Deadlatch	13-047
M	Strike	10-025
N	Latch screw	C603-897
P	Mounting screw	N523-021
Q	Strike screw	C603-256
S	Cylinder—6-pin	23-065
HH	Soft durometer spacer	24055246

† For RD (Full Size Interchangeable Core) and GD (SFIC) inside trim configurations, see 86.

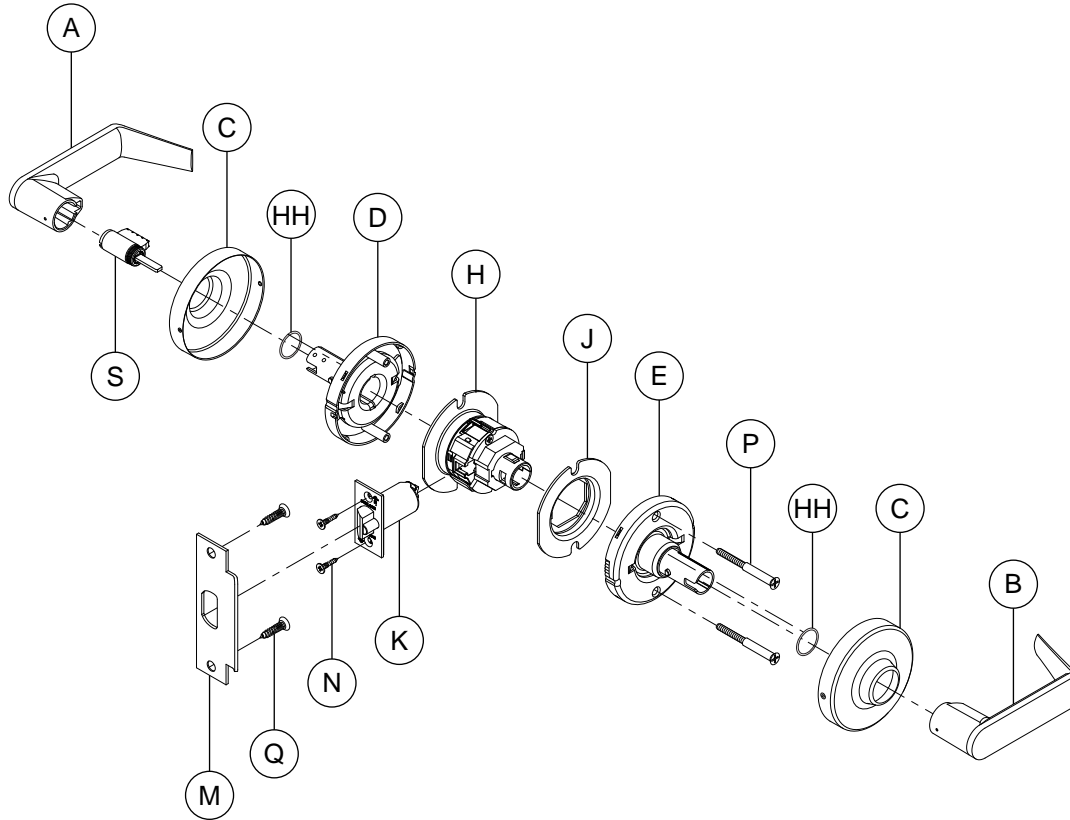
* Chassis part number is for reference only.

Trim assemblies

Classroom lock

ND70

ND70PD (shown), ND70RD†, ND70GD†



Letter	Description	Part number
A	Outside lever—open	03-031
B	Inside lever—closed	03-030
C	Rose	03-042
D	Outside spring cage—standard	N123-022
E	Inside spring cage—standard	N123-032
H	Chassis	24088346*
J	Anti-rotation plate	N523-055

Letter	Description	Part number
K	Deadlatch	13-047
M	Strike	10-025
N	Latch screw	C603-897
P	Mounting screw	N523-021
Q	Strike screw	C603-256
S	Cylinder—6-pin	23-065
HH	Soft durometer spacer	24055246

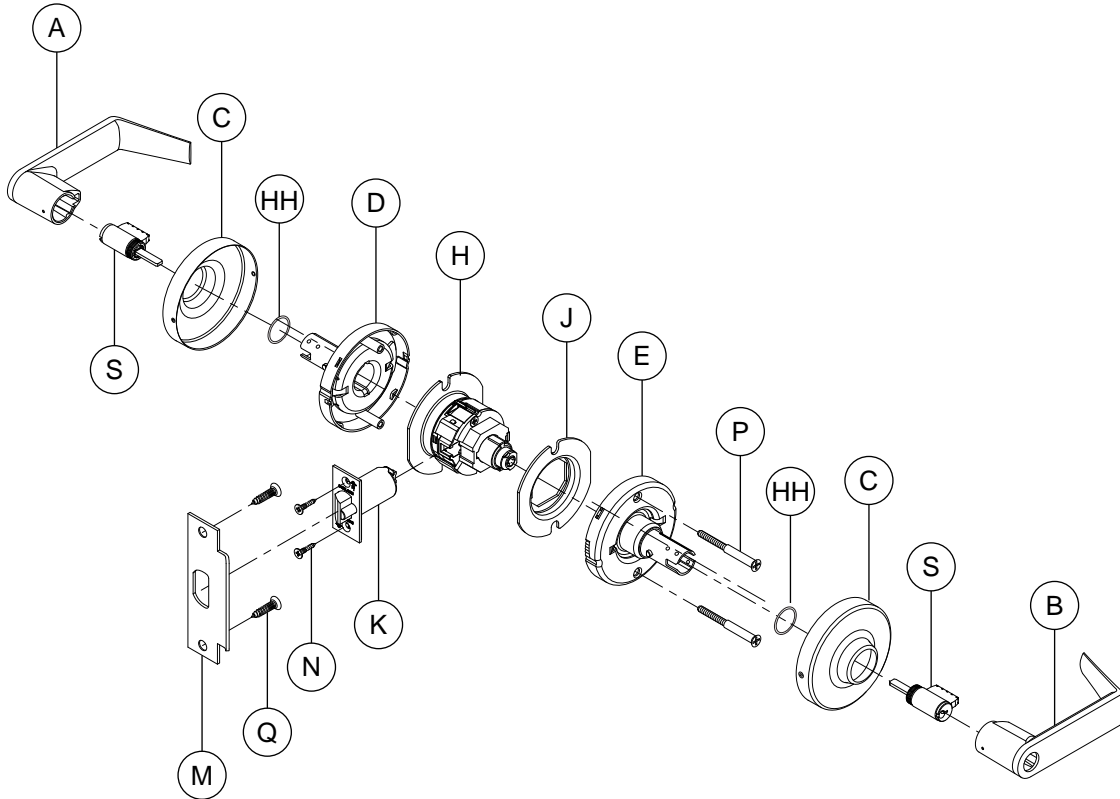
† For RD (Full Size Interchangeable Core) and GD (SFIC) inside trim configurations, see 86.

* Chassis part number is for reference only.

Special—classroom by storeroom lock

ND70X80

ND70X80PD (shown), NDX80RD†, ND70X80GD†



Letter	Description	Part number
A	Outside lever—open	03-031
B	Inside lever—open	03-031
C	Rose	03-042
D	Outside spring cage—standard	N123-022
E	Inside spring cage—keyed inside except SFIC	N123-021
H	Chassis	24088239*
J	Anti-rotation plate	N523-055

Letter	Description	Part number
K	Deadlatch	13-047
M	Strike	10-025
N	Latch screw	C603-897
P	Mounting screw	N523-021
Q	Strike screw	C603-256
S	Cylinder—6-pin	23-065
HH	Soft durometer spacer	24055246

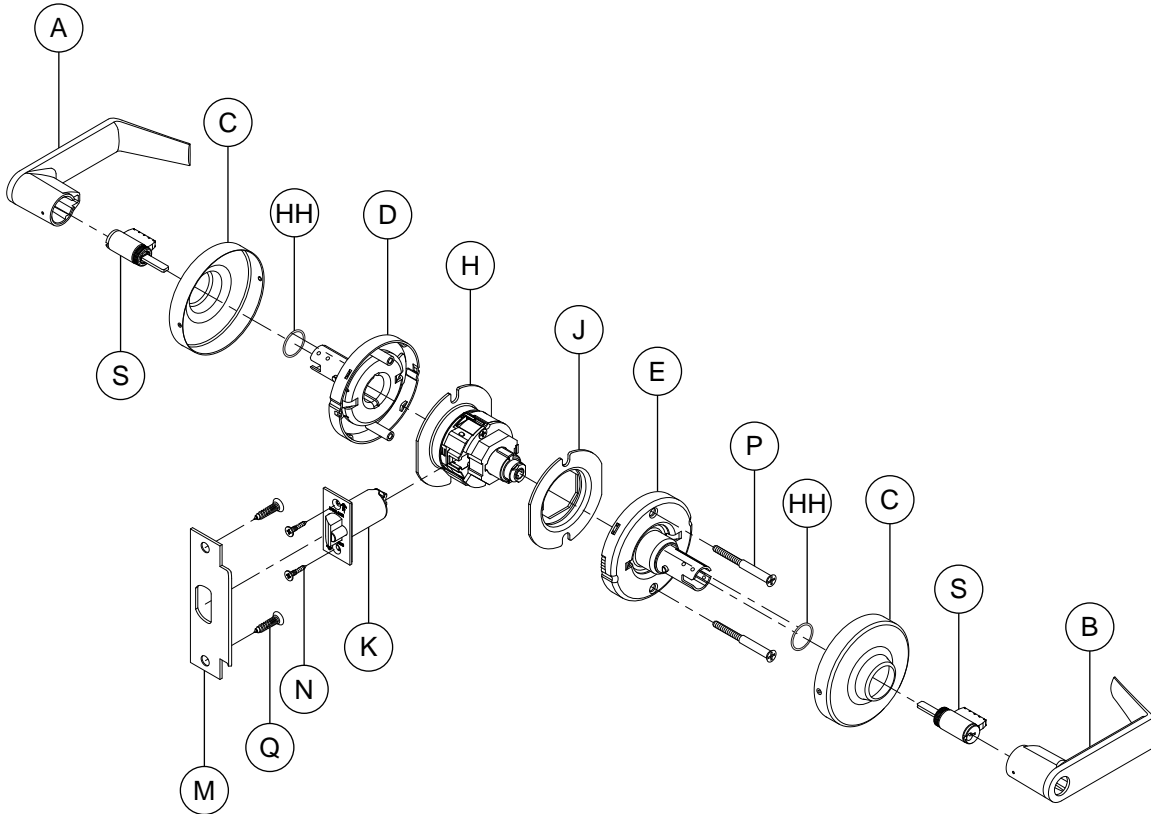
† For RD (Full Size Interchangeable Core) and GD (SFIC) inside trim configurations, see 86.

* Chassis part number is for reference only.

Special—communicating lock

ND72

ND72PD (shown), ND72RD†, ND72GD†



Letter	Description	Part number
A	Outside lever—open	03-031
B	Inside lever—open	03-031
C	Rose	03-042
D	Outside spring cage—standard	N123-022
E	Inside spring cage—keyed inside except SFIC	N123-021
H	Chassis	24088197*
J	Anti-rotation plate	N523-055

Letter	Description	Part number
K	Deadlatch	13-047
M	Strike	10-025
N	Latch screw	C603-897
P	Mounting screw	N523-021
Q	Strike screw	C603-256
S	Cylinder—6-pin	23-065
HH	Soft durometer spacer	24055246

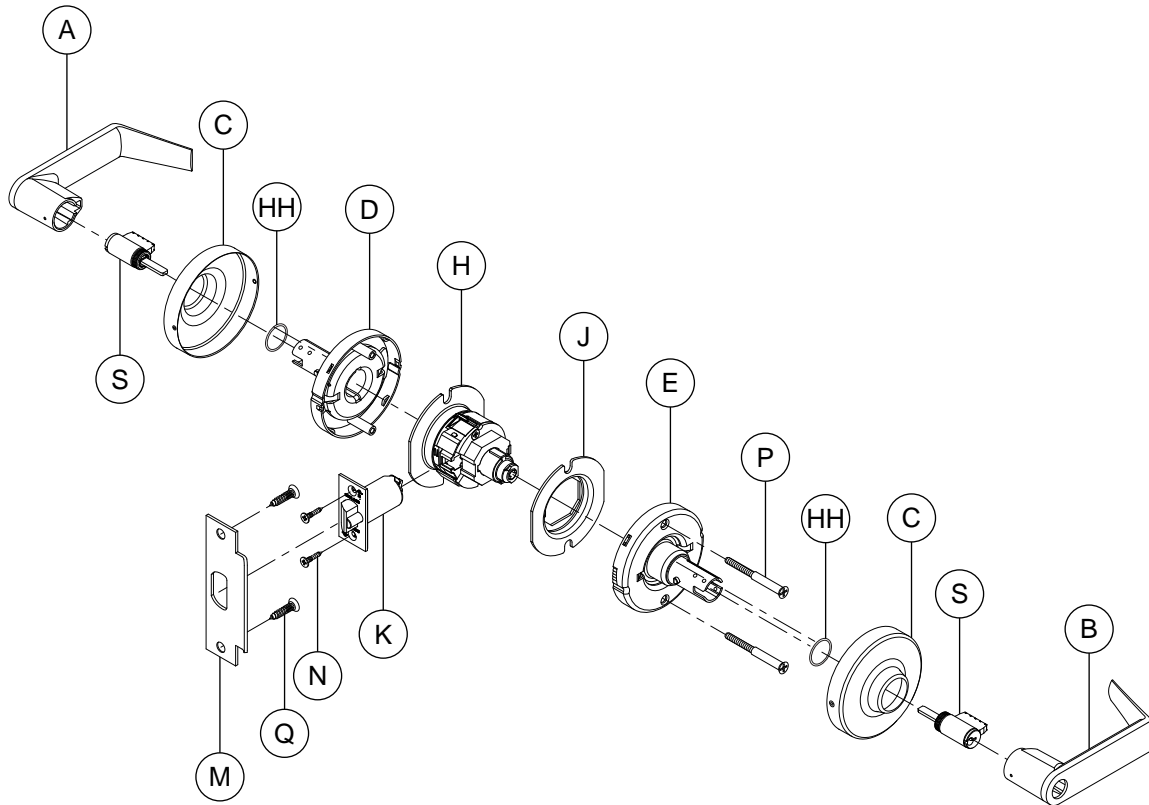
† For RD (Full Size Interchangeable Core) and GD (SFIC) inside trim configurations, see 86.

* Chassis part number is for reference only.

Special—communicating lock with Vandlgard®

ND72 Vandlgard®

ND72PD Vandlgard® (shown), ND72RD Vandlgard®*, ND72GD Vandlgard®*



Letter	Description	Part number
A	Outside lever—open	03-031
B	Inside lever—open	03-031
C	Rose	03-042
D	Outside spring cage—standard	N123-022
E	Inside spring cage—keyed inside except SFIC	N123-021
H	Chassis	24088205*
J	Anti-rotation plate	N523-055

Letter	Description	Part number
K	Deadlatch	13-047
M	Strike	10-025
N	Latch screw	C603-897
P	Mounting screw	N523-021
Q	Strike screw	C603-256
S	Cylinder—6-pin	23-065
HH	Soft durometer spacer	24055246

† For RD (Full Size Interchangeable Core) and GD (SFIC) inside trim configurations, see 86.

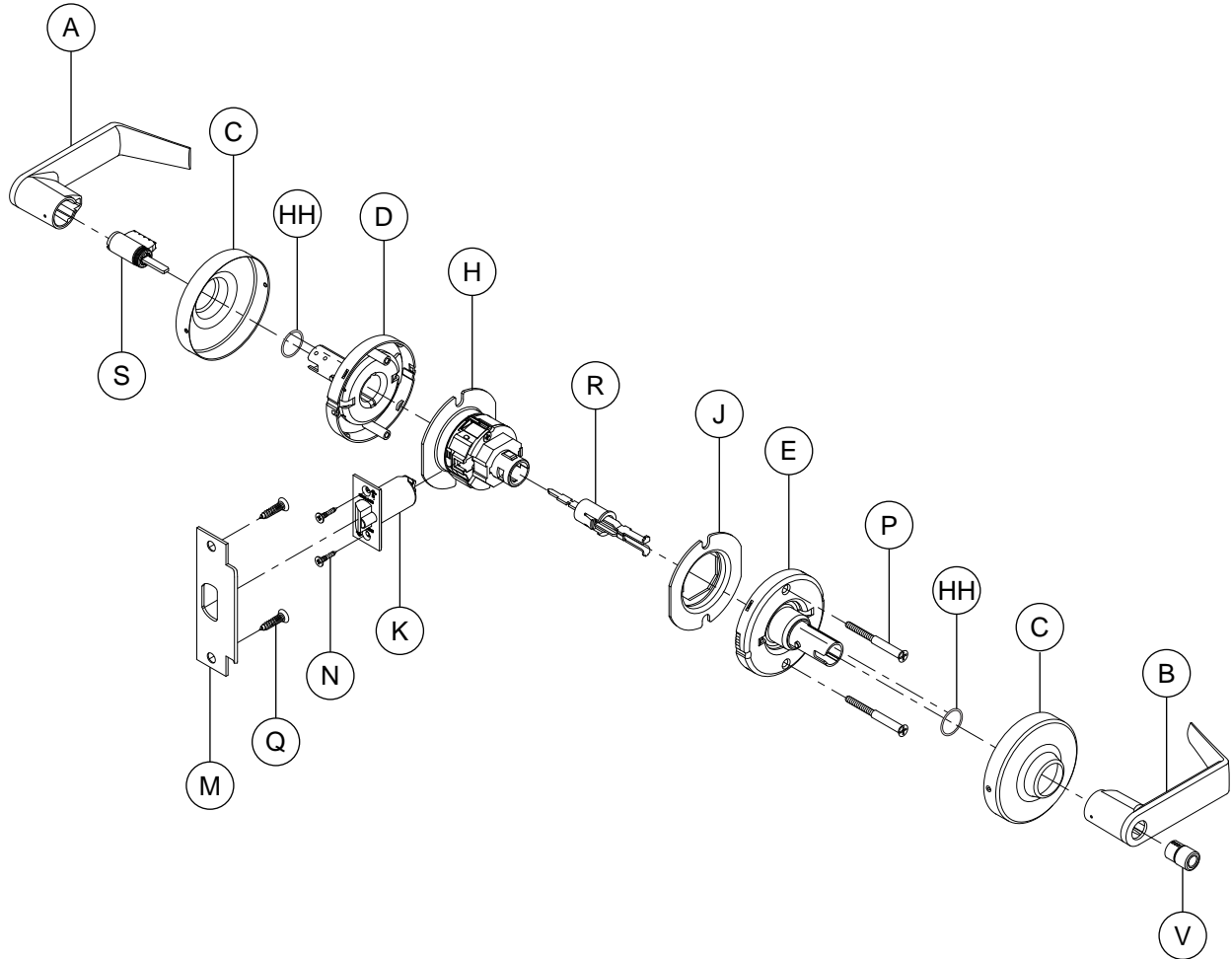
* Chassis part number is for reference only.

Trim assemblies

Corridor lock

ND73

ND73PD (shown), ND73RD†, ND73GD†



Letter	Description	Part number
A	Outside lever—open	03-031
B	Inside lever—open	03-031
C	Rose	03-042
D	Outside spring cage—standard	N123-022
E	Inside spring cage—standard	N123-032
H	Chassis	24088353*
J	Anti-rotation plate	N523-055
K	Deadlatch	13-047

Letter	Description	Part number
M	Strike	10-025
N	Latch screw	C603-897
P	Mounting screw	N523-021
Q	Strike screw	C603-256
R	Plunger—push button	N123-028
S	Cylinder—6-pin	23-065
V	Push button	N523-000
HH	Soft durometer spacer	24055246

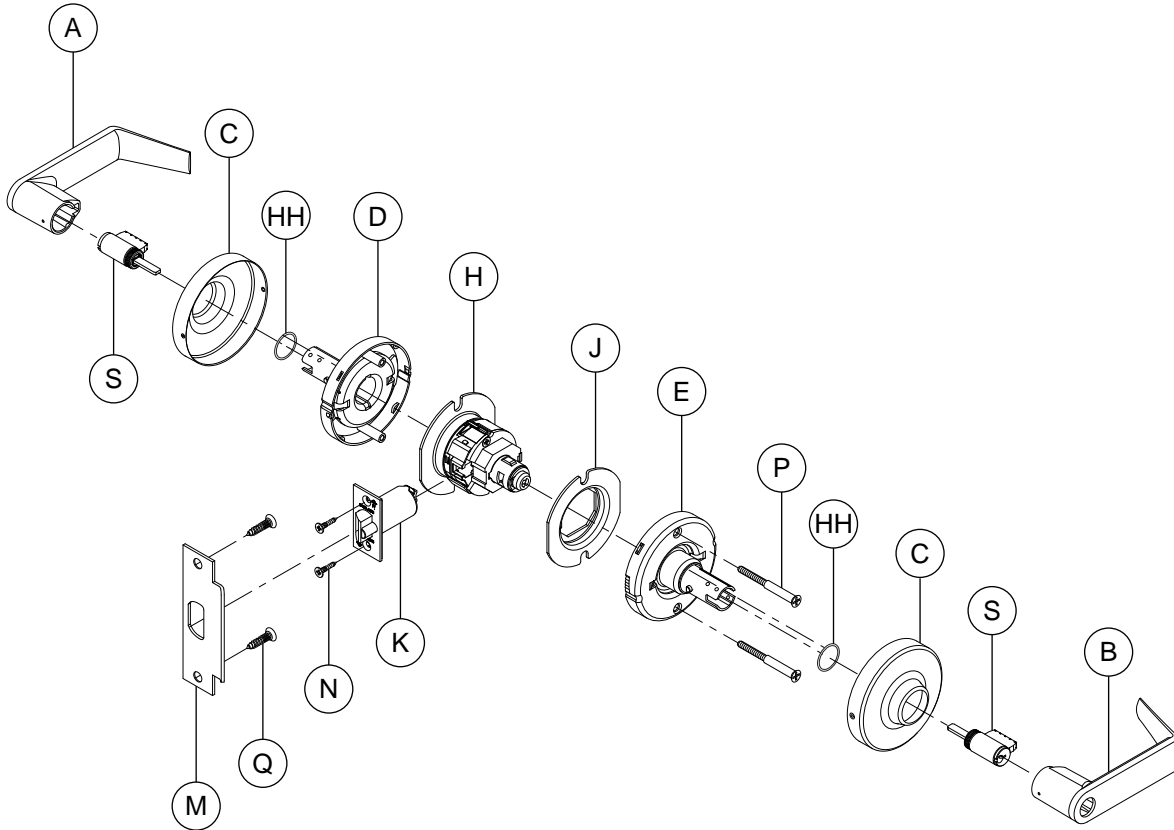
† For RD (Full Size Interchangeable Core) and GD (SFIC) inside trim configurations, see 86.

* Chassis part number is for reference only.

Classroom security lock

ND75

ND75PD (shown), ND75RD†, ND75GD†



Letter	Description	Part number
A	Outside lever—open	03-031
B	Inside lever—open	03-031
C	Rose	03-042
D	Outside spring cage—standard	N123-022
E	Inside spring cage—keyed inside except SFIC	N123-021
H	Chassis	24088163*
J	Anti-rotation plate	N523-055

Letter	Description	Part number
K	Deadlatch	13-047
M	Strike	10-025
N	Latch screw	C603-897
P	Mounting screw	N523-021
Q	Strike screw	C603-256
S	Cylinder—6-pin	23-065
HH	Soft durometer spacer	24055246

† For RD (Full Size Interchangeable Core) and GD (SFIC) inside trim configurations, see 86.

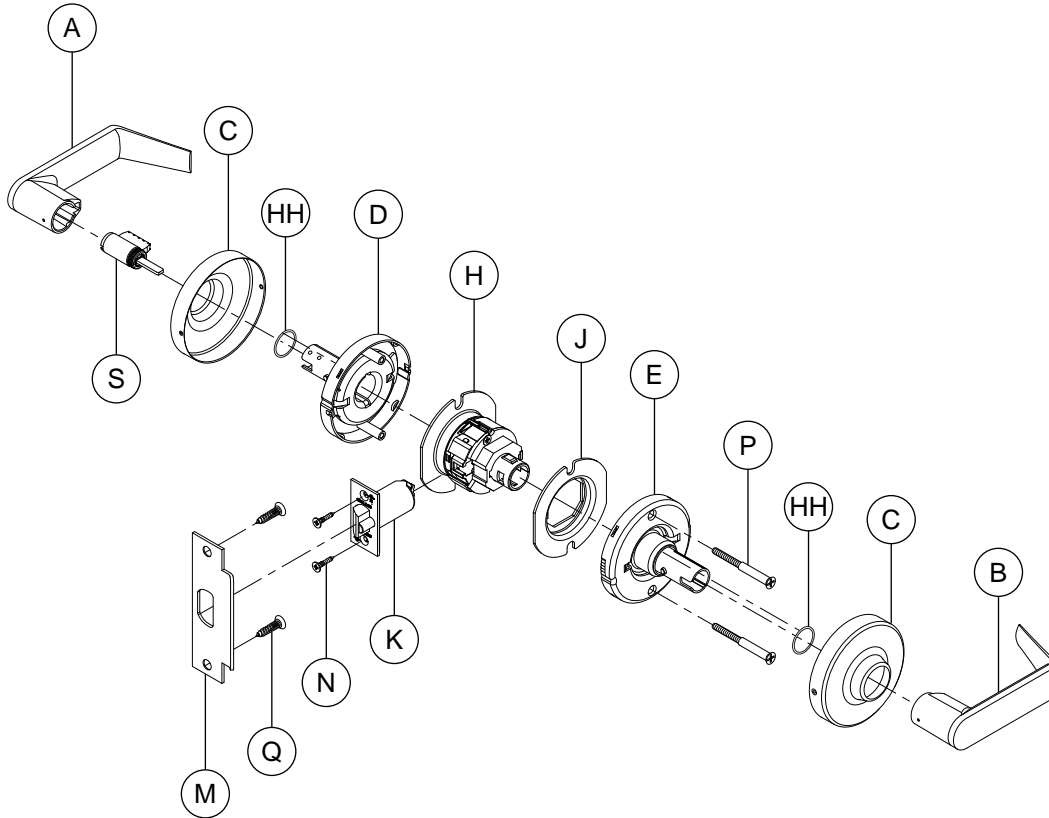
* Chassis part number is for reference only.

Trim assemblies

Storeroom lock

ND80

ND80PD (shown), ND80RD†, ND80GD†



Letter	Description	Part number
A	Outside lever—open	03-031
B	Inside lever—closed	03-030
C	Rose	03-042
D	Outside spring cage—standard	N123-022
E	Inside spring cage—standard	N123-032
H	Chassis	24088262*
J	Anti-rotation plate	N523-055

Letter	Description	Part number
K	Deadlatch	13-047
M	Strike	10-025
N	Latch screw	C603-897
P	Mounting screw	N523-021
Q	Strike screw	C603-256
S	Cylinder—6-pin	23-065
HH	Soft durometer spacer	24055246

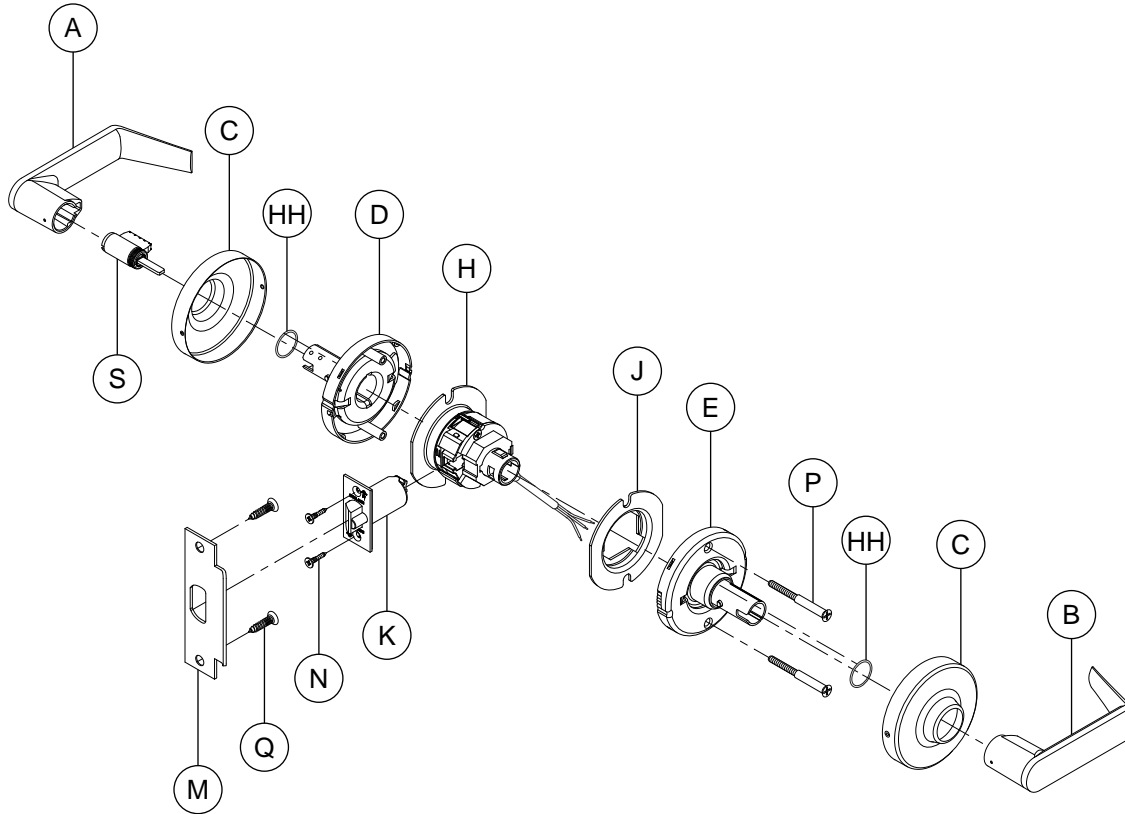
† For RD (Full Size Interchangeable Core) and GD (SFIC) inside trim configurations, see 86.

* Chassis part number is for reference only.

Storeroom lock with request-to-exit

ND80 RX

ND80PD RX (shown), ND80RD RX, ND80GD RX



Letter	Description	Part number
A	Outside lever—open	03-031
B	Inside lever—closed	03-030
C	Rose	03-042
D	Outside spring cage—standard	N123-022
E	Inside spring cage—standard	N123-032
H	Chassis	24088437*
J	Anti-rotation plate	N523-131

Letter	Description	Part number
K	Deadlatch	13-047
M	Strike	10-025
N	Latch screw	C603-897
P	Mounting screw	N523-021
Q	Strike screw	C603-256
S	Cylinder—6-pin	23-065
HH	Soft durometer spacer	24055246

† For RD (Full Size Interchangeable Core) and GD (SFIC) inside trim configurations, see 86.

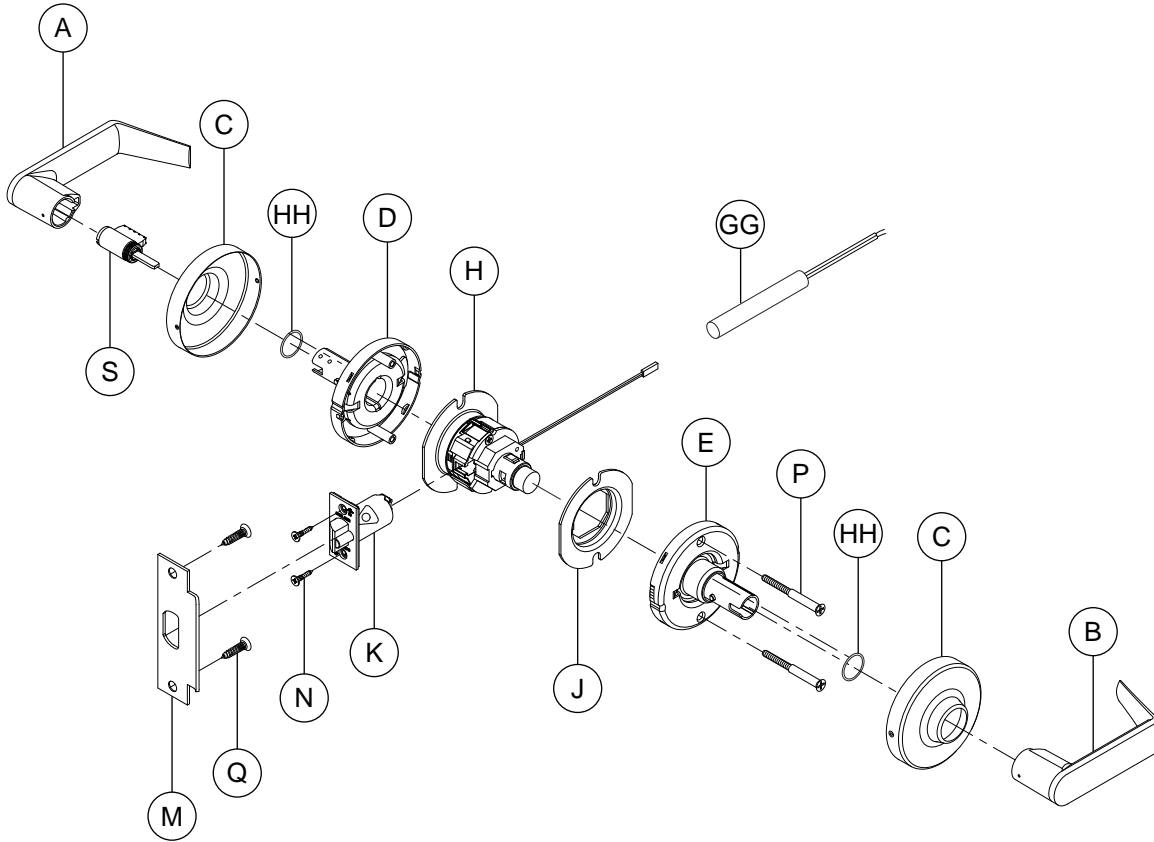
* Chassis part number is for reference only.

Trim assemblies

Storeroom lock— electrically locked (fail safe)

ND80EL

ND80ELPD (shown), ND80ELRD†, ND80ELGD†



Letter	Description	Part number
A	Outside lever—open	03-031
B	Inside lever—closed	03-030
C	Rose	03-042
D	Outside spring cage—standard	N123-022
E	Inside spring cage—standard	N123-032
H	Chassis	63-106*
J	Anti-rotation plate	N523-055
K	Electrified latch	**

Letter	Description	Part number
M	Strike	10-025
N	Latch screw	C603-897
P	Mounting screw	N523-021
Q	Strike screw	C603-256
S	Cylinder—6-pin	23-065
GG	Ac rectifier circuit	C303-439
HH	Soft durometer spacer	24055246

† For RD (Full Size Interchangeable Core) and GD (SFIC) outside trim configurations, see 86.

** Not sold separately as a part.

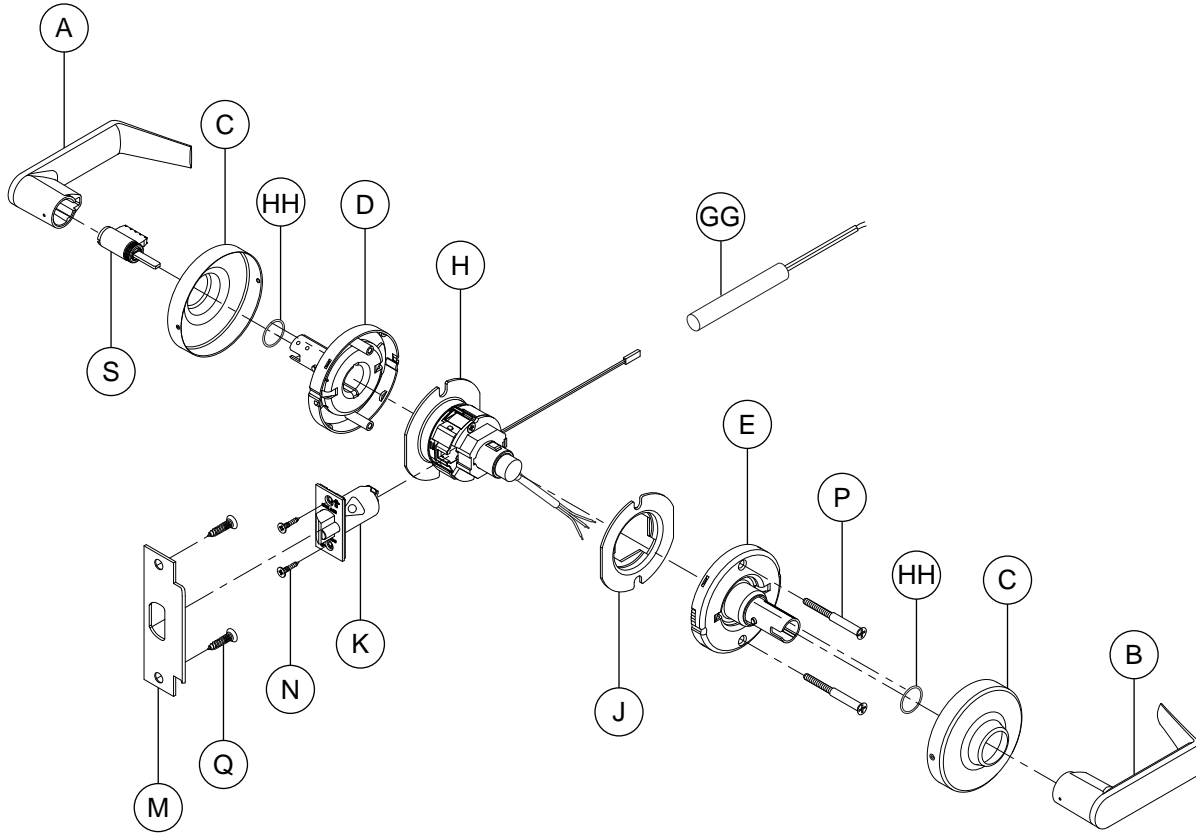
* Chassis part number is for reference only.

Trim assemblies

Storeroom lock—electrically locked (fail safe) with request-to-exit

ND80EL RX

ND80ELPD RX (shown), ND80ELRD RX, ND80ELGD RX



Letter	Description	Part number
A	Outside Lever—Open	03-031
B	Inside Lever—Closed	03-030
C	Rose	03-042
D	Outside Spring Cage—Standard	N123-022
E	Inside Spring Cage—Standard	N123-032
H	Chassis	63-215*
J	Anti-Rotation Plate	N523-131
K	Electrified Latch	**

Letter	Description	Part number
M	Strike	10-025
N	Latch Screw	C603-897
P	Mounting Screw	N523-021
Q	Strike Screw	C603-256
S	Cylinder—6-Pin	23-065
GG	AC Rectifier Circuit	C303-439
HH	Soft Durometer Spacer	24055246

† For RD (Full Size Interchangeable Core) and GD (SFIC) outside trim configurations, see 86.

** Not sold separately as a part.

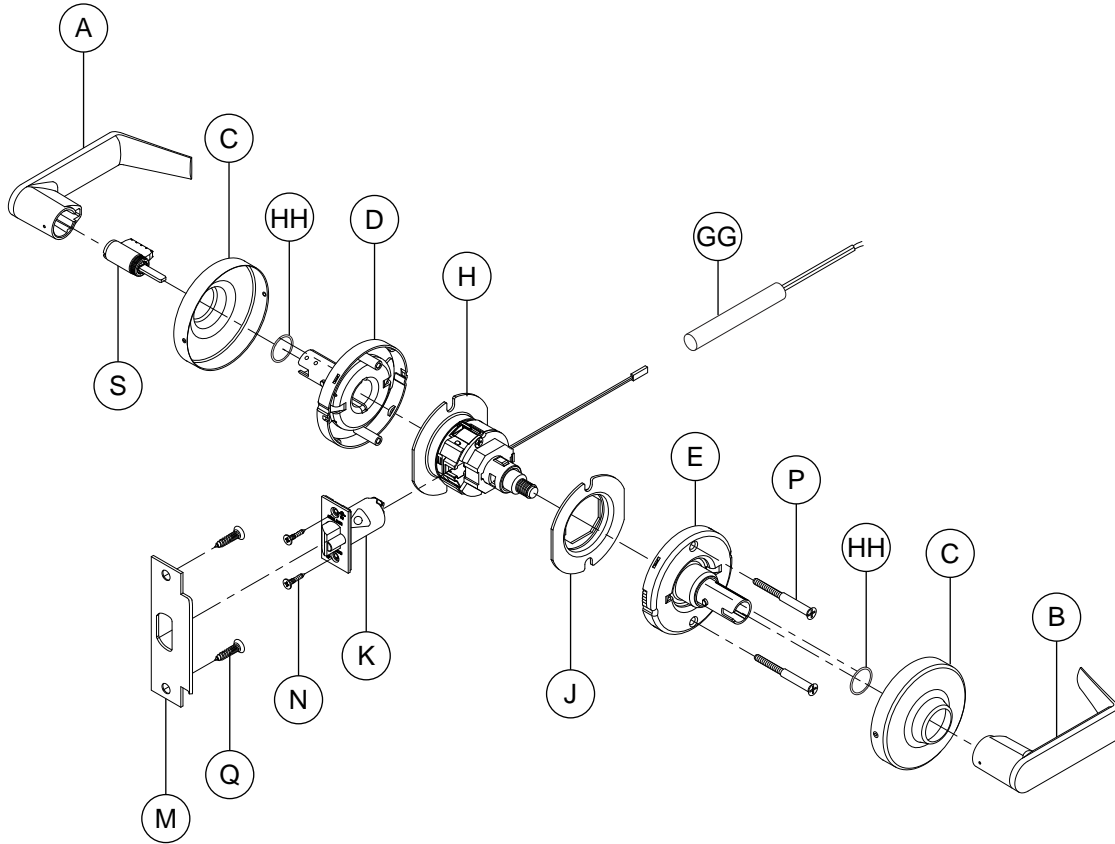
* Chassis part number is for reference only.

Trim assemblies

Storeroom lock—electrically unlocked (fail secure)

ND80EU

ND80EUPD (shown), ND80EURD†, ND80EUGD†



Letter	Description	Part number
A	Outside lever—open	03-031
B	Inside lever—closed	03-030
C	Rose	03-042
D	Outside spring cage—standard	N123-022
E	Inside spring cage—standard	N123-032
H	Chassis	63-105*
J	Anti-rotation plate	N523-055
K	Electrified latch	**

Letter	Description	Part number
M	Strike	10-025
N	Latch screw	C603-897
P	Mounting screw	N523-021
Q	Strike screw	C603-256
S	Cylinder—6-pin	23-065
GG	Ac rectifier circuit	C303-439
HH	Soft durometer spacer	24055246

† For RD (Full Size Interchangeable Core) and GD (SFIC) outside trim configurations, see 86.

** Not sold separately as a part.

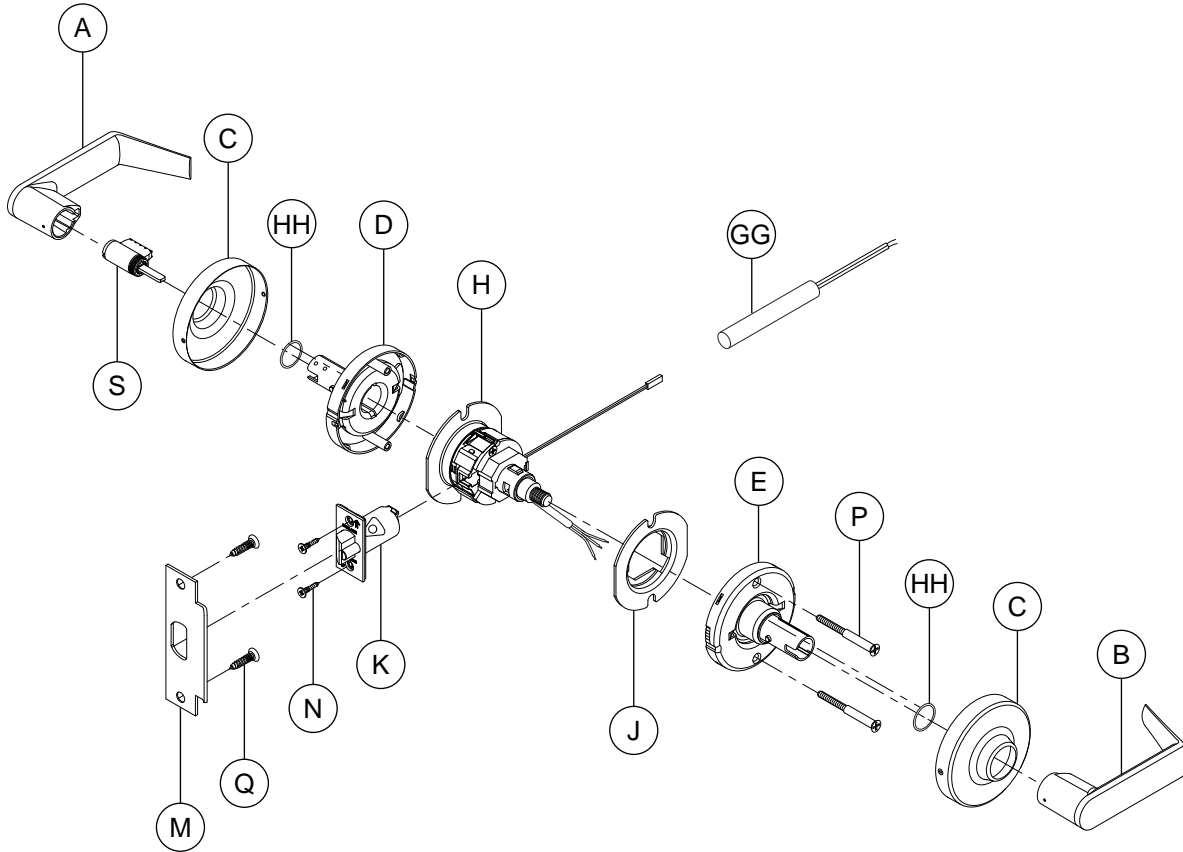
* Chassis part number is for reference only.

Trim assemblies

Storeroom lock—electrically unlocked (fail secure) with request-to-exit

ND80EU RX

ND80EUPD RX (shown), ND80EURD RX, ND80EUGD RX



Letter	Description	Part number
A	Outside lever—open	03-031
B	Inside lever—closed	03-030
C	Rose	03-042
D	Outside spring cage—standard	N123-022
E	Inside spring cage—standard	N123-032
H	Chassis	63-216*
J	Anti-rotation plate	N523-131
K	Electrified latch	**

Letter	Description	Part number
M	Strike	10-025
N	Latch screw	C603-897
P	Mounting screw	N523-021
Q	Strike screw	C603-256
S	Cylinder—6-pin	23-065
GG	Ac rectifier circuit	C303-439
HH	Soft durometer spacer	24055246

† For RD (Full Size Interchangeable Core) and GD (SFIC) outside trim configurations, see 86.

** Not sold separately as a part.

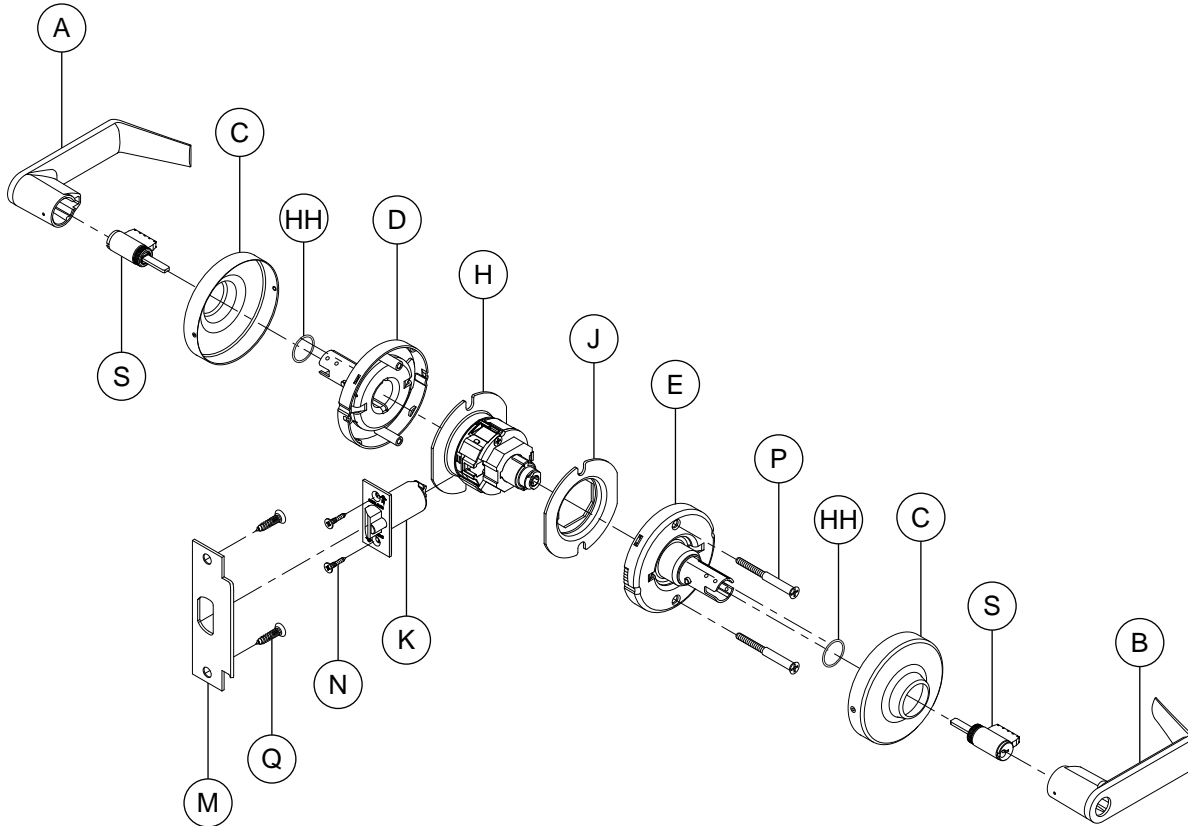
* Chassis part number is for reference only.

Trim assemblies

Institution lock

ND82

ND82PD (shown), ND82RD†, ND82GD†



Letter	Description	Part number
A	Outside lever—open	03-031
B	Inside lever—open	03-031
C	Rose	03-042
D	Outside spring cage—standard	N123-022
E	Inside spring cage—keyed inside except SFIC	N123-021
H	Chassis	24088361*
J	Anti-rotation plate	N523-055

Letter	Description	Part number
K	Deadlatch	13-047
M	Strike	10-025
N	Latch screw	C603-897
P	Mounting screw	N523-021
Q	Strike screw	C603-256
S	Cylinder—6 pin	23-065
HH	Soft durometer spacer	24055246

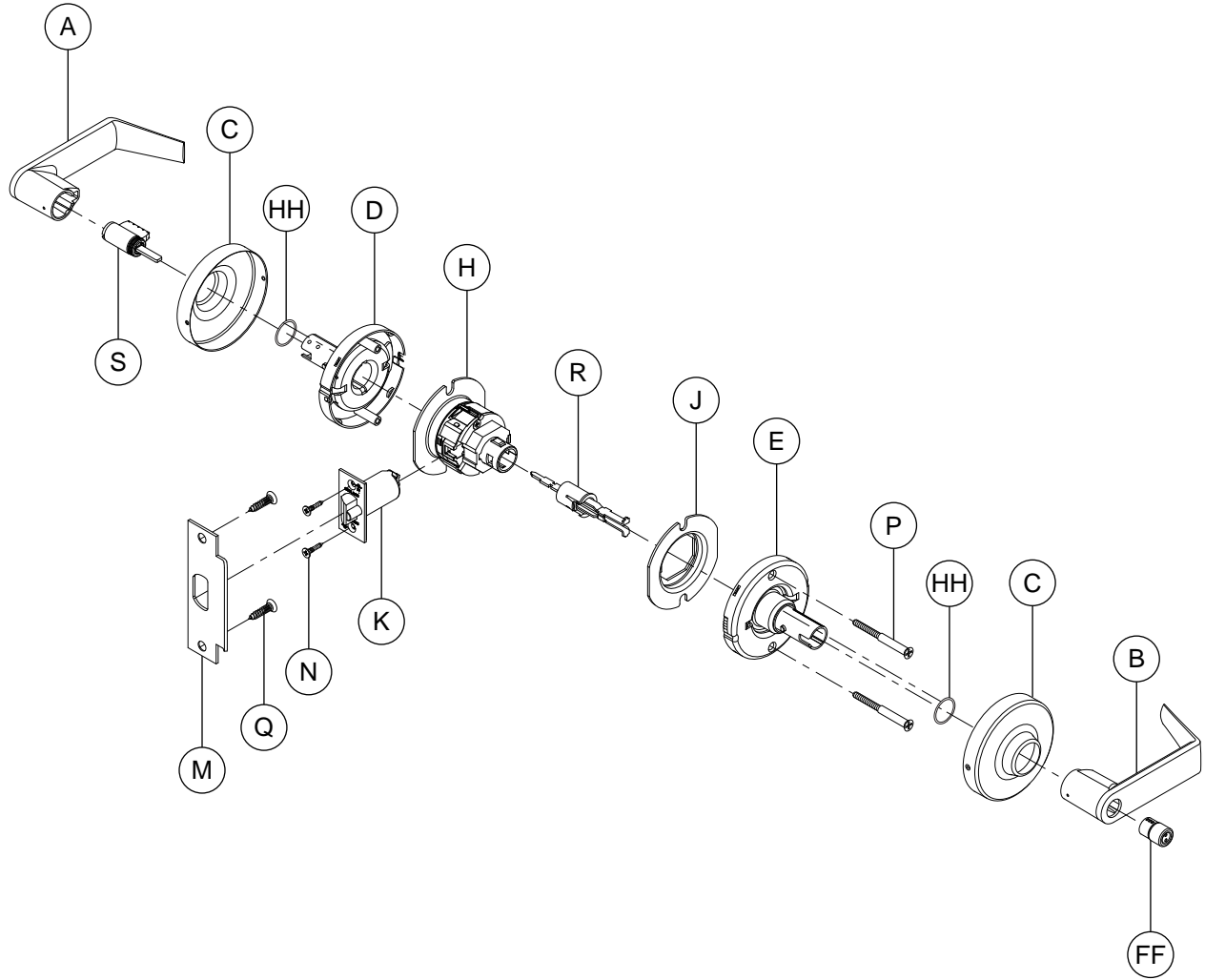
† For RD (Full Size Interchangeable Core) and GD (SFIC) outside trim configurations, see 86.

* Chassis part number is for reference only.

Faculty restroom lock

ND85

ND85PD



Letter	Description	Part number
A	Outside lever—open	03-031
B	Inside lever—open	03-031
C	Rose	03-042
D	Outside spring cage—standard	N123-022
E	Inside spring cage—standard	N123-032
H	Chassis	24088411*
J	Anti-rotation plate	N523-055
M	Strike	10-025

Letter	Description	Part number
N	Latch screw	C603-897
P	Mounting screw	N523-021
Q	Strike screw	C603-256
R	Plunger—push and turn	N123-017
S	Cylinder—6-pin indicator	23-003
FF	Push button with spanner access	N523-124
HH	Soft durometer spacer	24055246

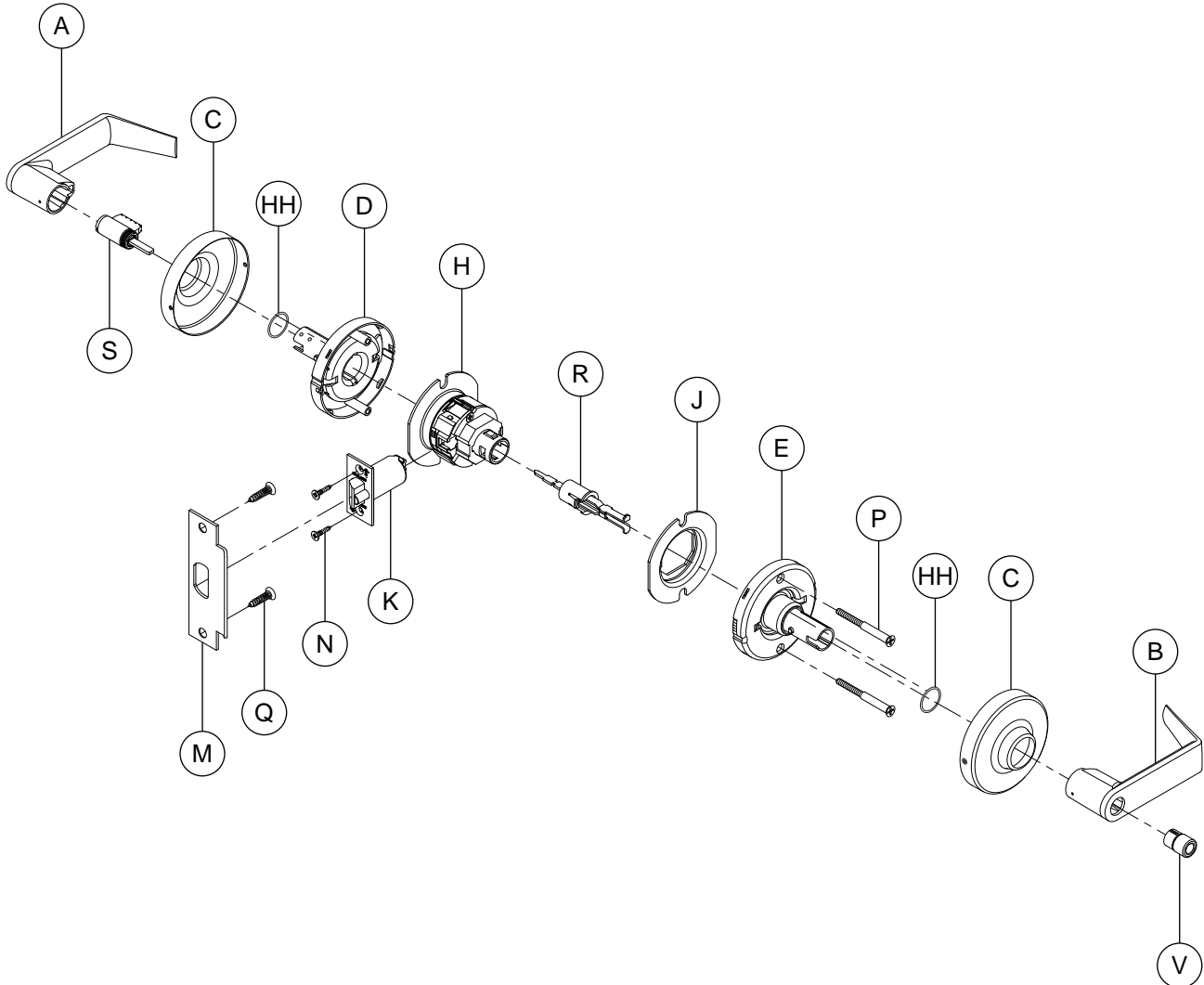
* Chassis part number is for reference only.

Trim assemblies

Entrance/office lock with Vandlgard®

ND91

ND91PD (shown), ND91RD†, ND91GD†



Letter	Description	Part number
A	Outside lever—open	03-031
B	Inside lever—open	03-031
C	Rose	03-042
D	Outside spring cage—standard	N123-022
E	Inside spring cage—standard	N123-032
H	Chassis	24088379*
J	Anti-rotation plate	N523-055
K	Deadlatch	13-047

Letter	Description	Part number
M	Strike	10-025
N	Latch screw	C603-897
P	Mounting screw	N523-021
Q	Strike screw	C603-256
R	Plunger—push button	N123-028
S	Cylinder—6-pin	23-065
V	Push button	N523-000
HH	Soft durometer spacer	24055246

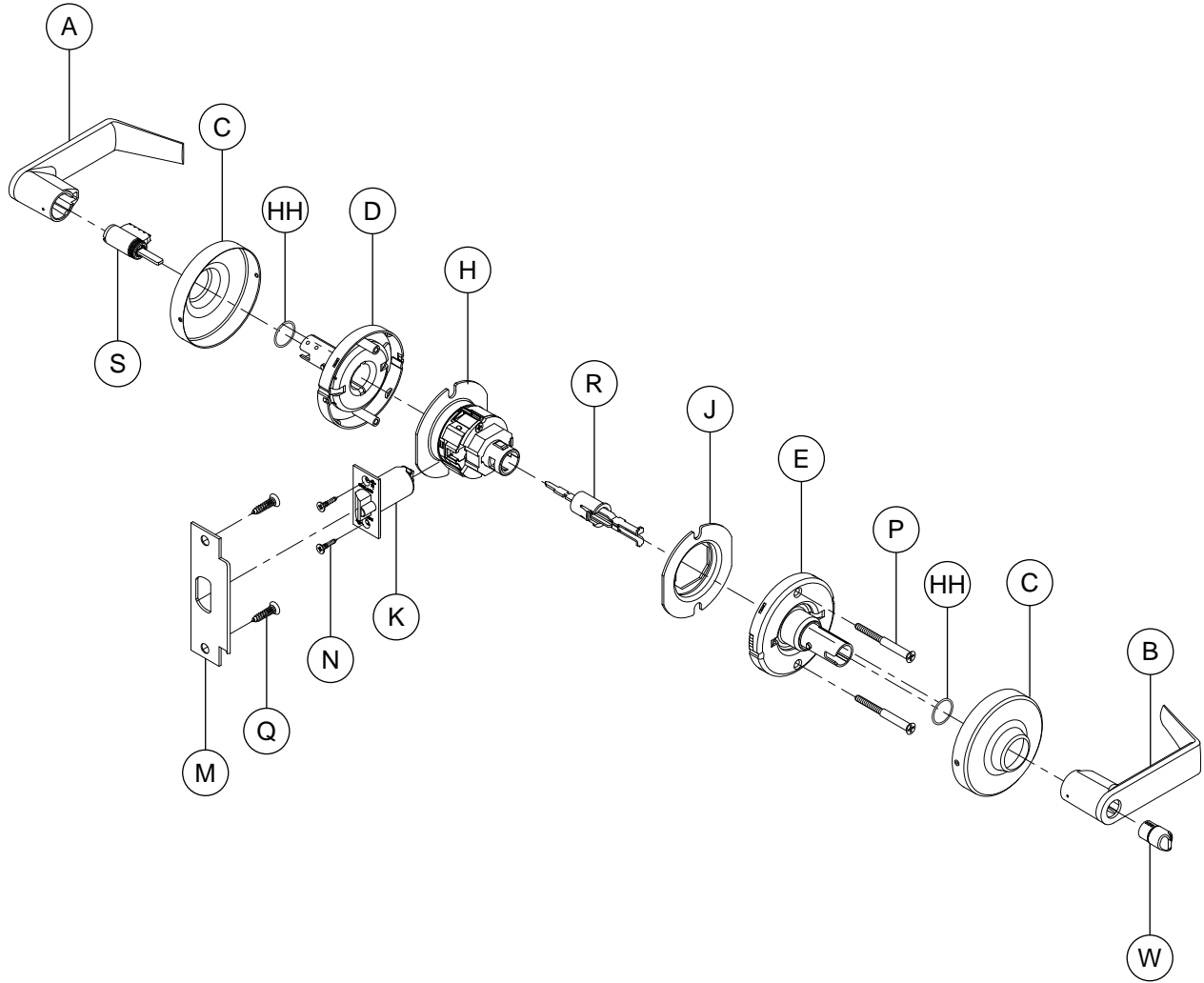
† For RD (Full Size Interchangeable Core) and GD (SFIC) outside trim configurations, see 86.

* Chassis part number is for reference only.

Entrance lock with Vandlgard®

ND92

ND92PD (shown), ND92RD†, ND92GD†



Letter	Description	Part number
A	Outside lever—open	03-031
B	Inside lever—open	03-031
C	Rose	03-042
D	Outside spring cage—standard	N123-022
E	Inside spring cage—standard	N123-032
H	Chassis	24088379*
J	Anti-rotation plate	N523-055
K	Deadlatch	13-047

Letter	Description	Part number
M	Strike	10-025
N	Latch screw	C603-897
P	Mounting screw	N523-021
Q	Strike screw	C603-256
R	Plunger—push and turn	N123-017
S	Cylinder—6-pin	23-065
W	Push and turn button	N523-001
HH	Soft durometer spacer	24055246

† For RD (Full Size Interchangeable Core) and GD (SFIC) outside trim configurations, see 86.

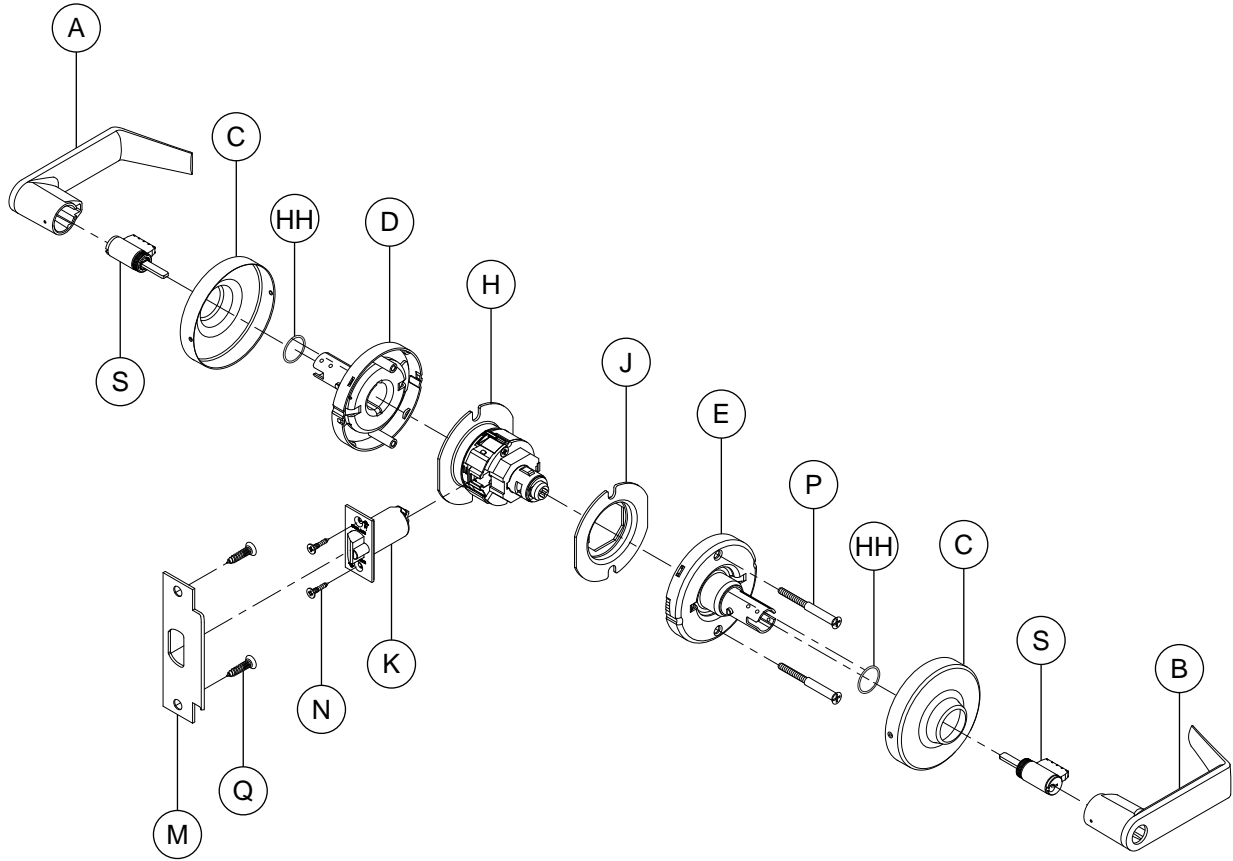
* Chassis part number is for reference only.

Trim assemblies

Vestibule with Vandlgard®

ND93

ND93PD (shown), ND93RD†, ND93GD†



Letter	Description	Part number
A	Outside lever—open	03-031
B	Inside lever—open	03-031
C	Rose	03-042
D	Outside spring cage—standard	N123-022
E	Inside spring cage—keyed inside except SFIC	N123-021
H	Chassis	24088387*
J	Anti-rotation plate	N523-055

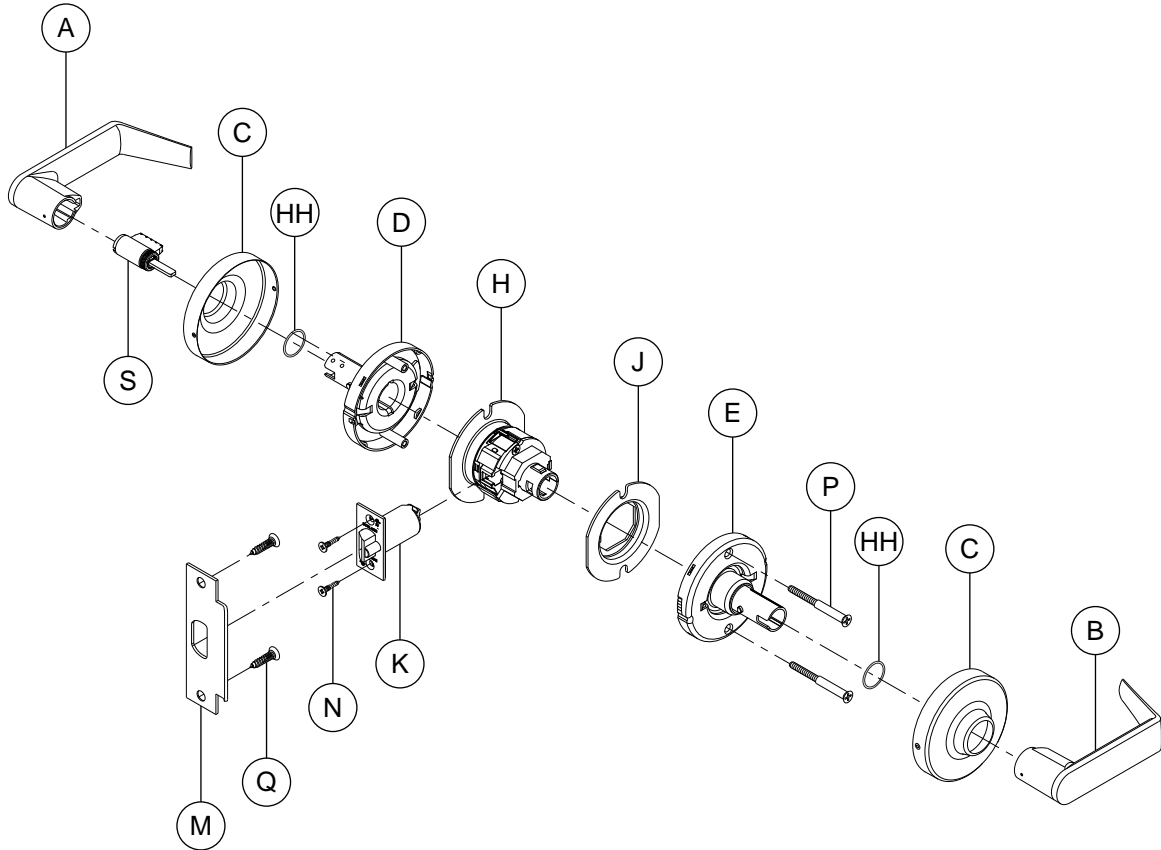
Letter	Description	Part number
K	Deadlatch	13-047
M	Strike	10-025
N	Latch screw	C603-897
P	Mounting screw	N523-021
Q	Strike screw	C603-256
S	Cylinder—6-pin	23-065
HH	Soft durometer spacer	24055246

* Chassis part number is for reference only.

Classroom lock with Vandlgard®

ND94

ND94PD (shown), ND94RD†, ND94GD†



Letter	Description	Part number
A	Outside lever—open	03-031
B	Inside lever—closed	03-030
C	Rose	03-042
D	Outside spring cage—standard	N123-022
E	Inside spring cage—standard	N123-032
H	Chassis	24088395*
J	Anti-rotation plate	N523-055

Letter	Description	Part number
K	Dead latch	13-047
M	Strike	10-025
N	Latch screw	C603-897
P	Mounting screw	N523-021
Q	Strike screw	C603-256
S	Cylinder—6-pin	23-065
HH	Soft durometer spacer	24055246

† For RD (Full Size Interchangeable Core) and GD (SFIC) outside trim configurations, see 86.

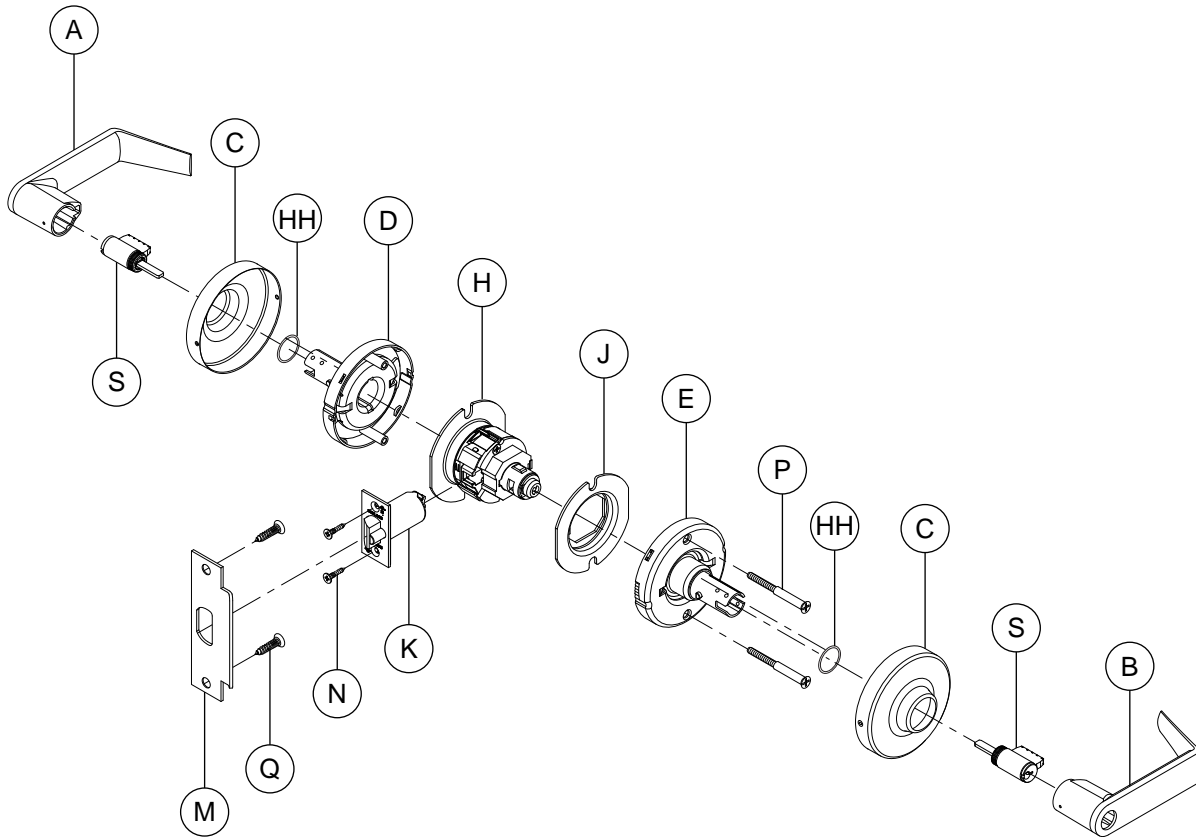
* Chassis part number is for reference only.

Trim assemblies

Classroom security lock with Vandlgard®

ND95

ND95PD (shown), ND95RD†, ND95GD†



Letter	Description	Part number
A	Outside lever—open	03-031
B	Inside lever—open	03-031
C	Rose	03-042
D	Outside spring cage—standard	N123-022
E	Inside spring cage—keyed inside except SFIC	N123-021
H	Chassis	24088171*
J	Anti-rotation plate	N523-055

Letter	Description	Part number
K	Deadlatch	13-047
M	Strike	10-025
N	Latch screw	C603-897
P	Mounting screw	N523-021
Q	Strike screw	C603-256
S	Cylinder—6-pin	23-065
HH	Soft duromater spacer	24055246

† For RD (Full Size Interchangeable Core) and GD (SFIC) outside trim configurations, see 86.

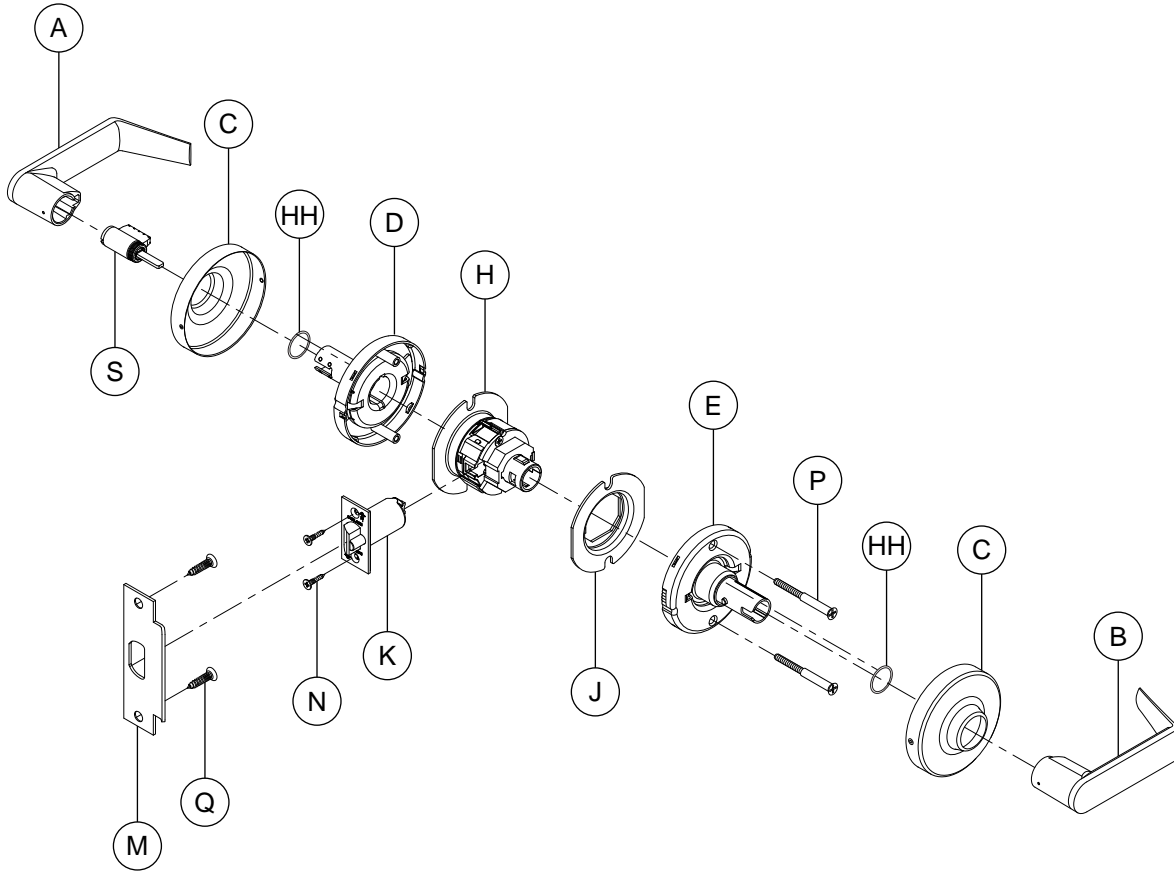
* Chassis part number is for reference only.

Trim assemblies

Storeroom lock with Vandlgard®

ND96

ND96PD (shown), ND96RD†, ND96GD†



Letter	Description	Part number
A	Outside lever—open	03-031
B	Inside lever—closed	03-030
C	Rose	03-042
D	Outside spring cage—standard	N123-022
E	Inside spring cage—standard	N123-032
H	Chassis	24088403*
J	Anti-rotation plate	N523-055

Letter	Description	Part number
K	Deadlatch	13-047
M	Strike	10-025
N	Latch screw	C603-897
P	Mounting screw	N523-021
Q	Strike screw	C603-256
S	Cylinder—6-pin	23-065
HH	Soft durometer spacer	24055246

† For RD (Full Size Interchangeable Core) and GD (SFIC) outside trim configurations, see 86.

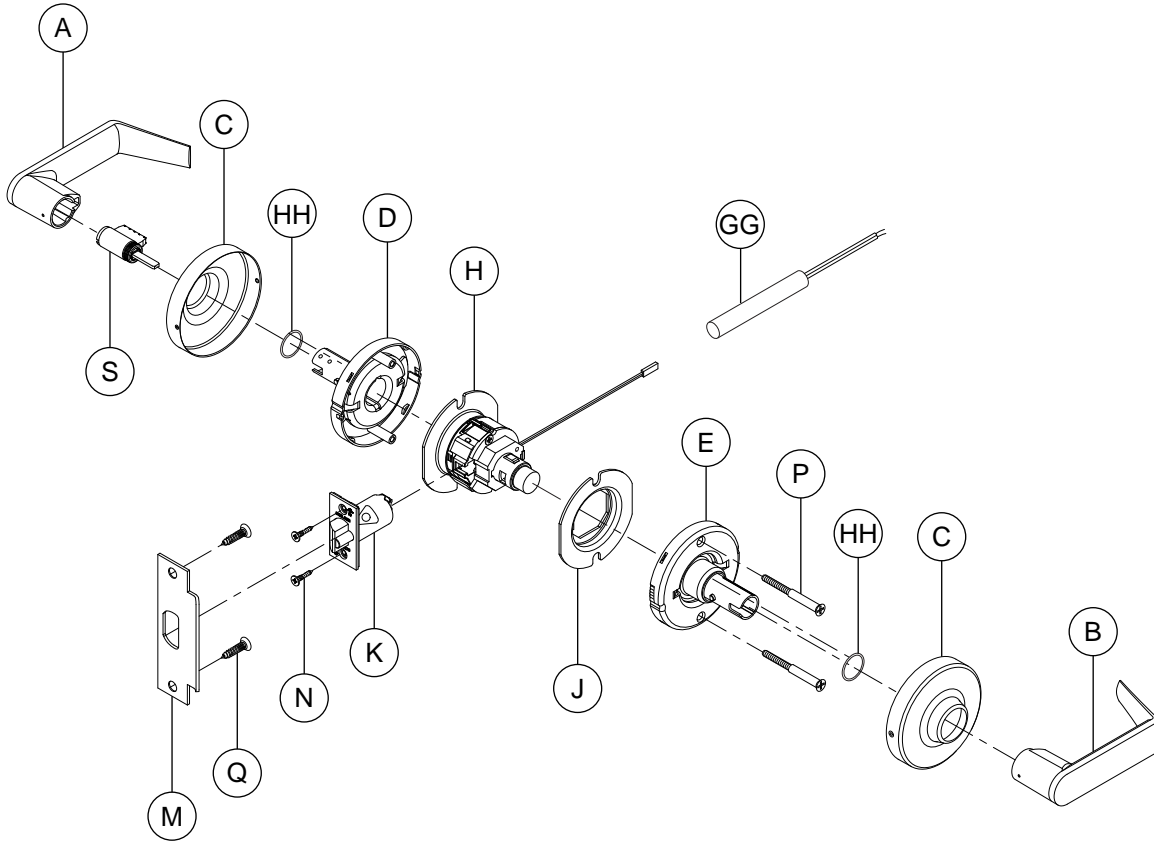
* Chassis part number is for reference only.

Trim assemblies

Storeroom lock with Vandlgard®— electrically locked (fail safe)

ND96EL

ND96ELPD (shown), ND96ELRD†, ND96ELGD†



Letter	Description	Part number
A	Outside lever—open	03-031
B	Inside lever—closed	03-030
C	Rose	03-042
D	Outside spring cage—standard	N123-022
E	Inside spring cage—standard	N123-032
H	Chassis	63-108*
J	Anti-rotation plate	N523-055
K	Electrified latch	**

Letter	Description	Part number
M	Strike	10-025
N	Latch screw	C603-897
P	Mounting screw	N523-021
Q	Strike screw	C603-256
S	Cylinder—6-pin	23-065
GG	Ac rectifier circuit	C303-439
HH	Soft durometer spacer	24055246

† For RD (Full Size Interchangeable Core) and GD (SFIC) outside trim configurations, see 86.

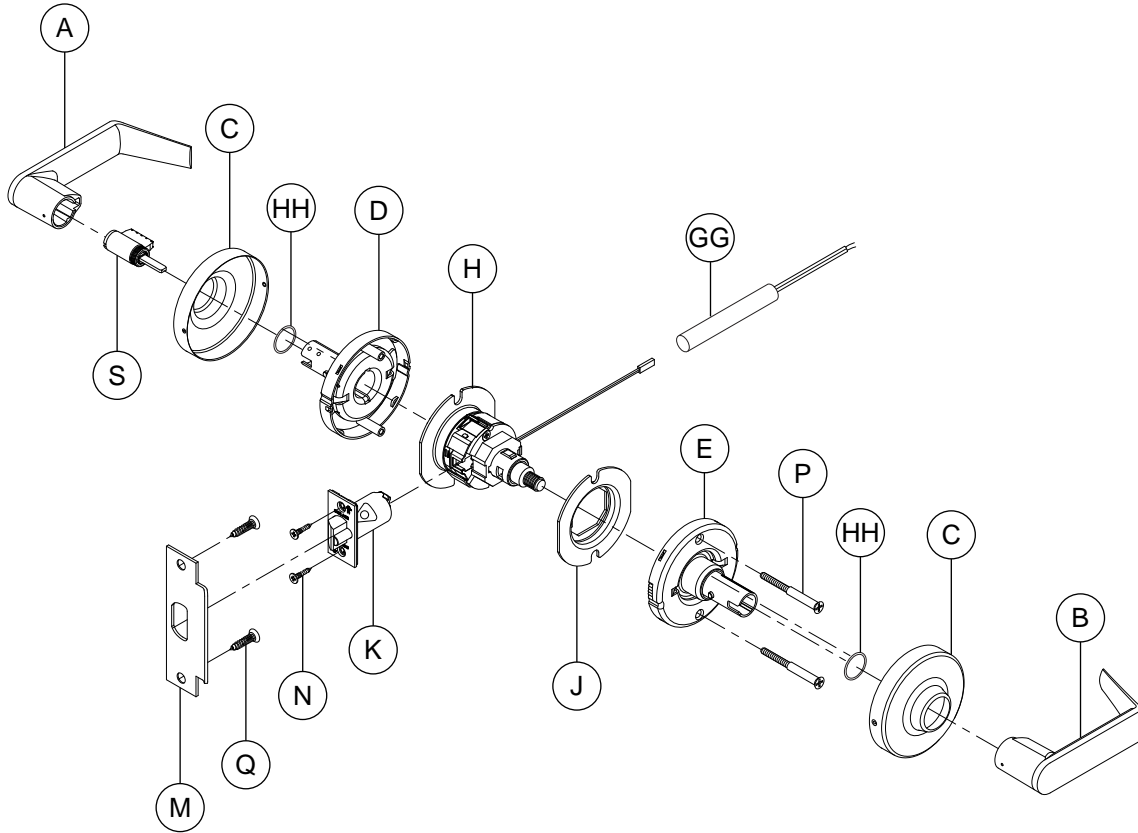
** Not sold separately as a part.

* Chassis part number is for reference only.

Storeroom lock with Vandlgard®—electrically unlocked (fail secure)

ND96EU

ND96EUPD (shown), ND96EURD†, ND96EUGD†



Letter	Description	Part number
A	Outside lever—open	03-031
B	Inside lever—closed	03-030
C	Rose	03-042
D	Outside spring cage—standard	N123-022
E	Inside spring cage—standard	N123-032
H	Chassis	63-107*
J	Anti-rotation plate	N523-055
K	Electrified latch	**

Letter	Description	Part number
M	Strike	10-025
N	Latch screw	C603-897
P	Mounting screw	N523-021
Q	Strike screw	C603-256
S	Cylinder—6-pin	23-065
GG	Ac rectifier circuit	C303-439
HH	Soft durometer spacer	24055246

† For RD (Full Size Interchangeable Core) and GD (SFIC) outside trim configurations, see 86.

** Not sold separately as a part.

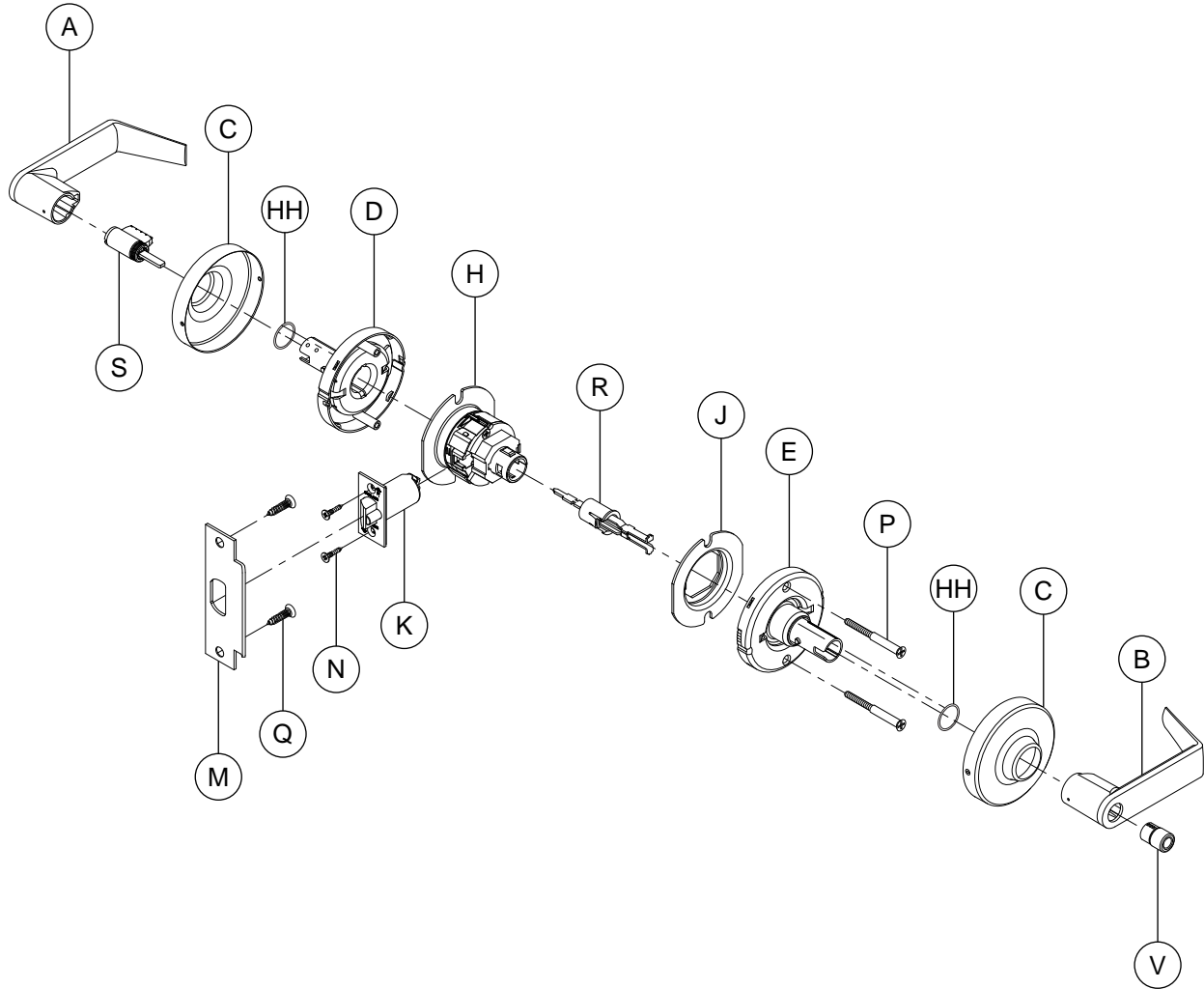
* Chassis part number is for reference only.

Trim assemblies

Corridor lock with Vandlgard®

ND97

ND97PD (shown), ND97RD†, ND97GD†



Letter	Description	Part number
A	Outside lever—open	03-031
B	Inside lever—open	03-031
C	Rose	03-042
D	Outside spring cage—standard	N123-022
E	Inside spring cage—standard	N123-032
H	Chassis	24088189*
J	Anti-rotation plate	N523-055
K	Deadlatch	13-047

Letter	Description	Part number
M	Strike	10-025
N	Latch screw	C603-897
P	Mounting screw	N523-021
Q	Strike screw	C603-256
R	Plunger—push button	N123-028
S	Cylinder—6-pin	23-065
V	Push button	N523-000
HH	Soft durometer spacer	24055246

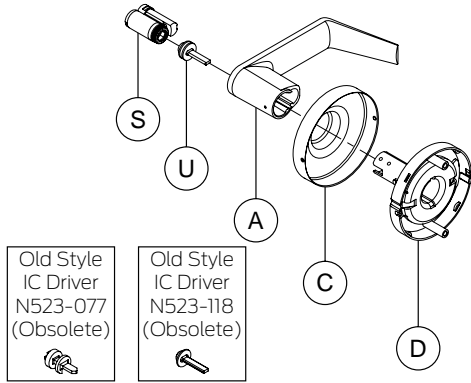
† For RD (Full Size Interchangeable Core) and GD (SFIC) outside trim configurations, see 86.

* Chassis part number is for reference only.

Parts and kits

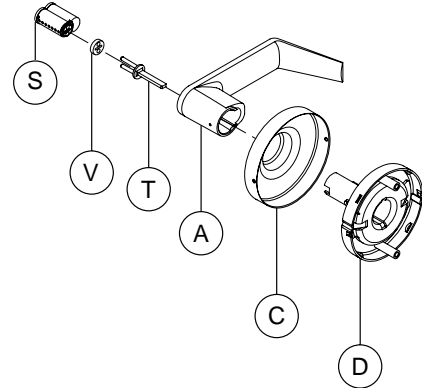
Full size IC and SFIC (small format interchangeable core) configurations

Full size IC—outside



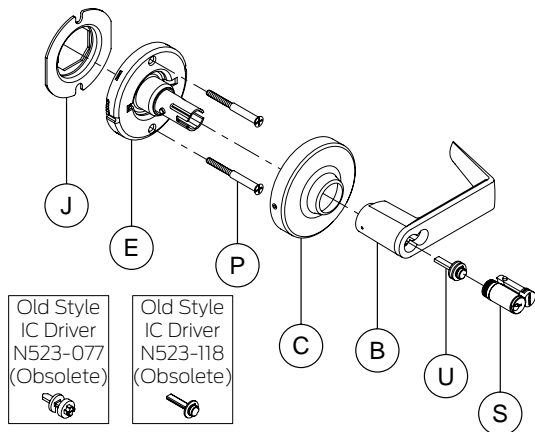
Letter	Description	Part number
A	Outside lever—full size IC	03-032
C	Rose	03-042
D	Outside spring cage—standard	N123-022
S	Cylinder—full size IC	23-030
U	IC driver	N523-127

SFIC—outside



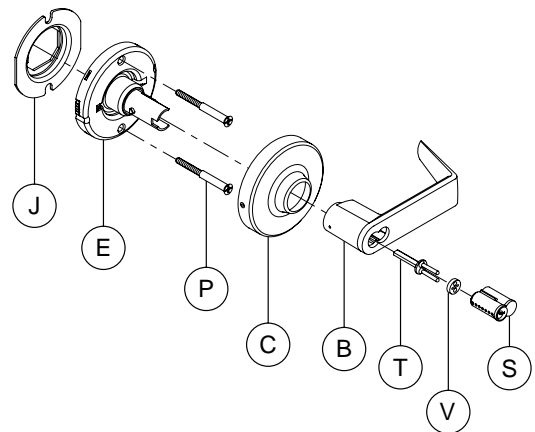
Letter	Description	Part number
A	Outside lever—SFIC	03-000
C	Rose	03-042
D	Outside spring cage—SFIC	N123-056
S	Cylinder—SFIC	80-037
T	SFIC driver	N523-091
V	Small format IC spacer (6-pin only)	D500-000

Full size IC—inside



Letter	Description	Part number
B	Inside lever—full size IC	03-032
C	Rose	03-042
E	Inside spring cage —keyed inside except SFIC	N123-021
J	Anti-rotation plate	N523-055
P	Mounting screw	N523-021
S	Cylinder—full size IC	23-030
U	IC driver	N523-127

SFIC—inside



Letter	Description	Part number
B	Inside lever—SFIC	03-000
C	Rose	03-042
E	Inside spring cage—SFIC	N123-057
J	Anti-rotation plate	N523-055
P	Mounting screw	N523-021
S	Cylinder—SFIC	80-037
V	Small format IC spacer (6-pin only)	D500-000

Parts and kits

Lever designs

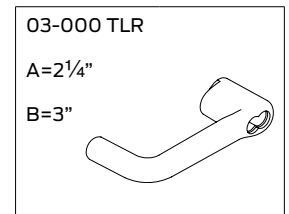
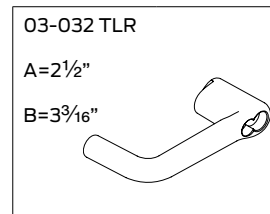
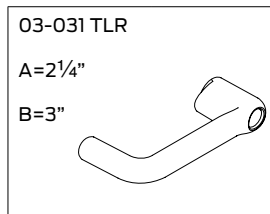
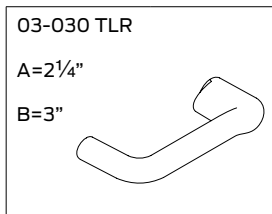
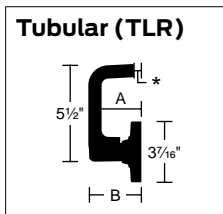
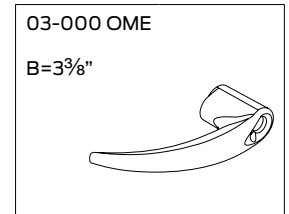
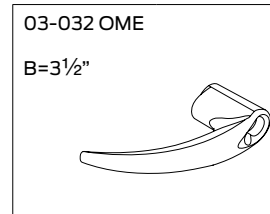
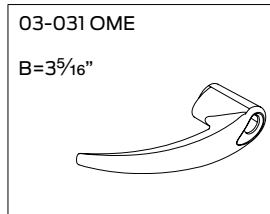
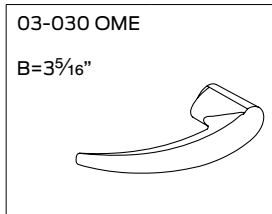
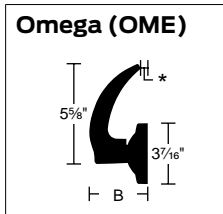
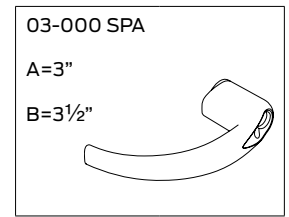
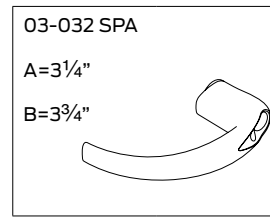
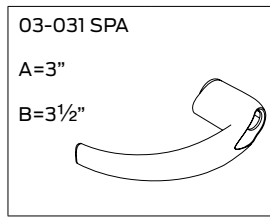
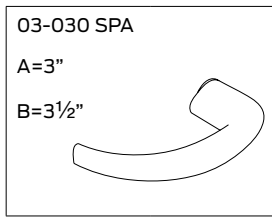
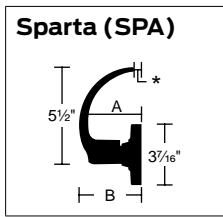
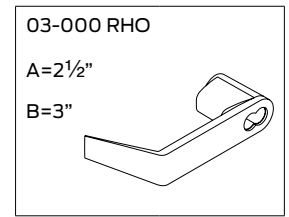
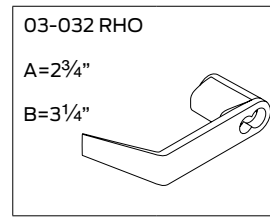
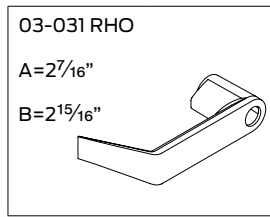
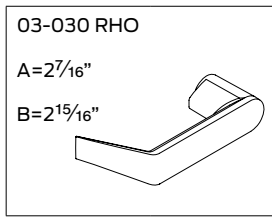
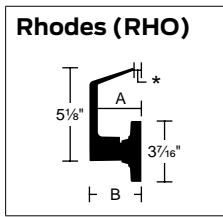
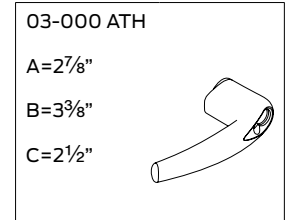
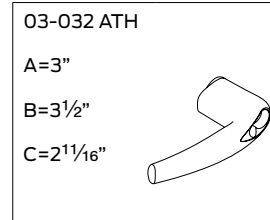
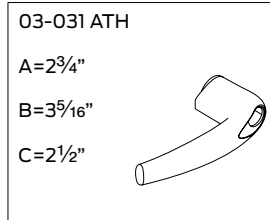
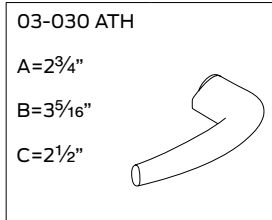
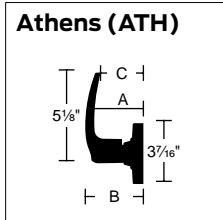
All lever designs are available in finishes 605, 606, 612, 613, 619, 625, 626 and 626AM.

Closed levers

Open levers

Interchangeable core levers**

SFIC levers



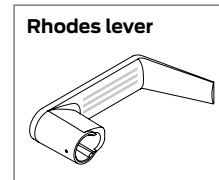
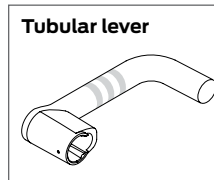
* Meets California Fire Code for 1/2" or less return to the door.

** Lever sizes available for Competitor Cylinder Options, see 88. Not available on Omega lever style.

Tactile warning

Not available on Omega levers

Preface design code for tactile warning levers			
Athens	Rhodes	Sparta	Tubular
8AT	8RH	8SP	8TR

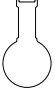








Parts and kits

Competitor cylinder options

Competitor lever designs are available in finishes 613, 626 and 626AM.

Tactile warning is available. See **Tactile warning** on page 87 for details.

Cylinder	Order suffix	Description	Lever design			
			Athens	Rhodes	Sparta	Tubular
	LD SAR	Sargent Key In Lever	03-044-ATH	03-044-RHO	03-044-SPA	03-044-TLR
	JD SAR	Sargent Full Size Interchangeable Core Cylinder	03-077-ATH	03-077-RHO	03-077-SPA	03-077-TLR
	JD CO6	Corbin Russwin Full Size Interchangeable Core 6 Pin Cylinder	03-066-ATH	03-066-RHO	03-066-SPA	03-066-TLR
	JD YA6	Yale Full Size Interchangeable Core 6 Pin Cylinder	03-055-ATH	03-055-RHO	03-055-RHO	03-055-TLR
	JD CO7	Corbin Russwin Full Size Interchangeable Core 7 Pin Cylinder	UNDER DEVELOPMENT			
	LD CO6	Corbin Russwin Key in Lever 6 Pin Cylinder				
	JD YA7	Yale Full Size Interchangeable Core 7 Pin Cylinder				

Spring cage and tailpiece for competitor cylinder options

Available for the following functions: ND50D, ND53D, ND60D, ND66D, ND70D, ND73D, ND75D, ND80D, ND80EL/EU, ND80EL/EU-RX, ND82D, ND91D, ND92D, ND93D, ND94D, ND95D, ND96D, ND96DEL/EU, ND96DEL/EU-RX, and ND97D.

Order suffix	Description	Spring cage		Cylinder tailpiece
		Outside	Inside(double cylinder locks)	
LD SAR	Sargent Key In Lever	N123-064	N123-067	N523-146
JD SAR	Sargent Full Size Interchangeable Core Cylinder	N123-066	N123-069	N523-148
JD CO6	Corbin Russwin Full Size Interchangeable Core 6 Pin Cylinder			
JD YA6	Yale Full Size Interchangeable Core 6 Pin Cylinder	N123-065	N123-068	N523-147
JD CO7	Corbin Russwin Full Size Interchangeable Core 7 Pin Cylinder	UNDER DEVELOPMENT		
LD CO6	Corbin Russwin Key in Lever 6 Pin Cylinder			
JD YA7	Yale Full Size Interchangeable Core 7 Pin Cylinder			

Parts and kits

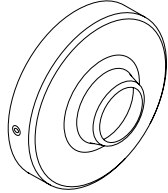
Roses

Inside/outside rose, 03-042 RHO

Standard inside/outside rose for use with ATH, SPA or RHO levers.

Size: 37/16" dia.

Available in 605, 606, 612, 613, 619, 625, 626.

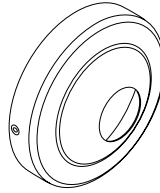


Omega inside/outside rose, 03-042 OME

Standard inside/outside rose for use with OME levers.

Size: 37/16" dia.

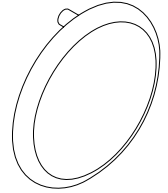
Available in 605, 606, 612, 613, 619, 625, 626.



Blank outside rose, N523-002

Standard inside/outside rose for use with ATH, SPA or RHO levers.

Size: 37/16" dia.

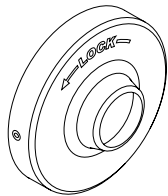


Engraved inside rose (Rhodes) XN12-035

Inside rose engraved with "LOCK". For use with classroom security function locks with ATH, SPA or RHO levers.

Size: 37/16" dia.

Available in 626 only.

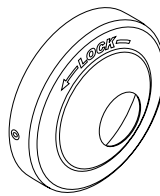


Engraved inside rose (Omega) XN12-045

Inside rose engraved with "LOCK". For use with classroom security function locks with OME levers.

Size: 37/16" dia.

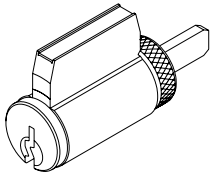
Available in 626 only.



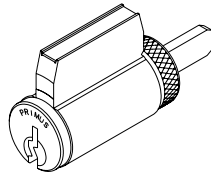
Cylinders

Standard

Conventional Classic or Everest, 23-065

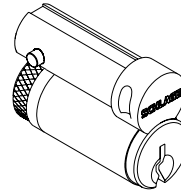


Primus® Controlled Access, 20-765

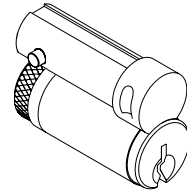


Full size interchangeable cores

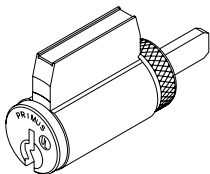
Conventional with Logo Classic or Everest, 23-030



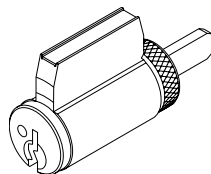
Conventional without Logo Classic or Everest, 23-031



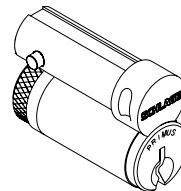
Primus® High Security, 23-565. UL 437 Listed



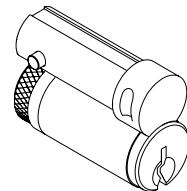
Indicator, 23-000



Primus® with logo, 20-740



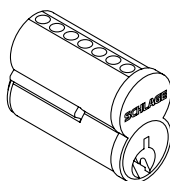
Primus® without Logo, 20-741



Small format interchangeable cores

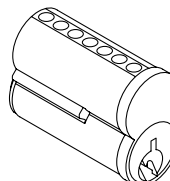
Everest® Combined, 80-037

Also available in uncombined (80-036)



Best® Keyway 7-Pin Uncombined, 80-033

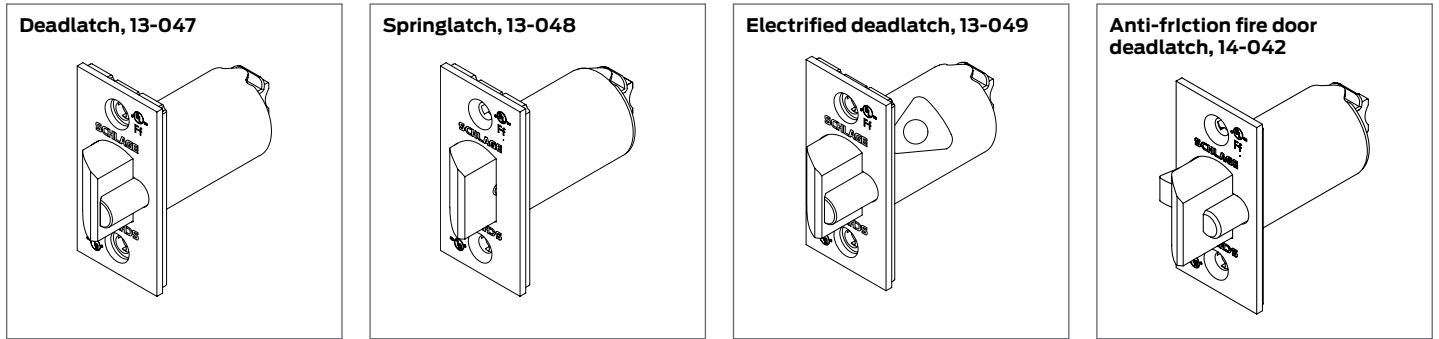
Also available in 6-pin uncombined (80-043)



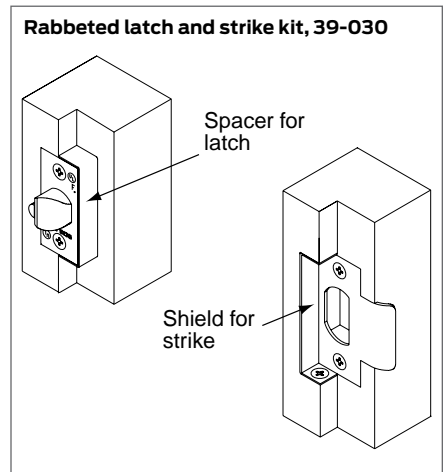
Parts and kits

Latches

All ND-Series latches have one-inch diameter housing and adjustable faceplates for flat or beveled doors.



Backset	Description	Springlatch	Deadlatch
2 ³ / ₈ "	Square corner, 1 ¹ / ₈ " x 2 ¹ / ₄ "	—	14-047
	Square corner, 1" x 2 ¹ / ₄ "	—	14-048
2 ³ / ₄ "	Square corner, 1 ¹ / ₈ " x 2 ¹ / ₄ ", standard	13-048	13-047
2 ³ / ₄ "	Square corner, electrified latch, 1 ¹ / ₈ " x 2 ¹ / ₄ "	—	13-049
2 ³ / ₄ "	Anti-friction fire door latch, square corner, 1 ¹ / ₈ " x 2 ¹ / ₄ ", 3/4" throw	—	14-042
3 ³ / ₄ "	Square corner, 1 ¹ / ₈ " x 2 ¹ / ₄ "	14-010	14-028
5"	Backset extension link	—	43-005**
—	Rabbeted latch and strike kit, 605, 626 only	39-030*	

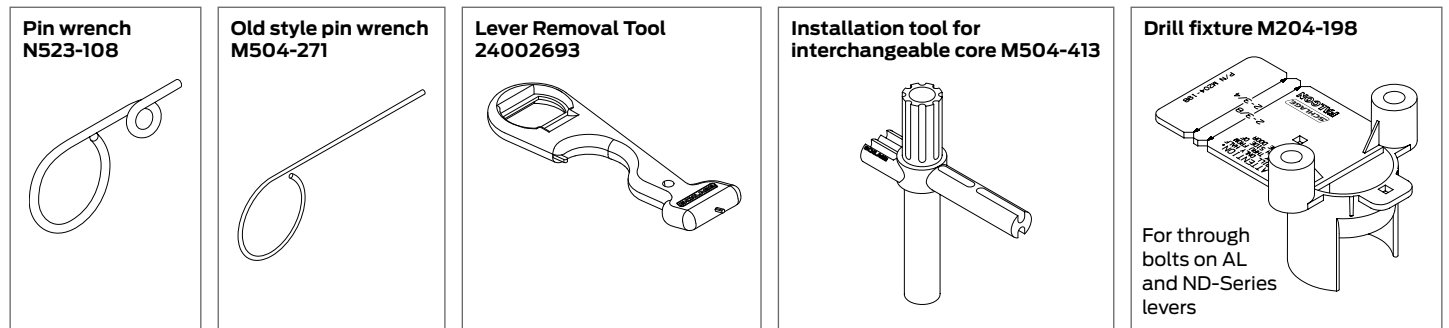


* Adapts square corner latch and 2³/₄" high square corner strike to 1/2" rabbeted door and frame preparations.

** Can only be used with 2³/₄" backset latch.

Installation tools and kits

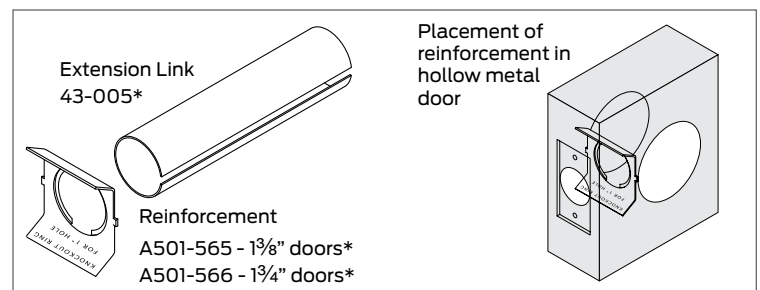
Boring jigs and tools are designed to provide fast and accurate lock installation. Complete kits or individual tools can be ordered for preparing doors and jambs for Schlage products.



Reinforcement kit 37-001

Reinforcement kit 37-001 is used to reinforce and prevent the collapse of hollow metal doors when locksets are mounted. This kit should be used for installation in hollow metal doors to prevent lateral movement of the latch bolt. Extension link is included for long backset installations. Specify door thickness 1³/₈" or 1³/₄" when ordering.

* Parts may be ordered separately.



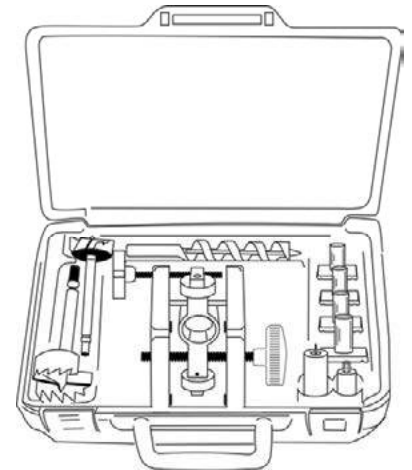
Parts and kits

Installation kit 40-147

Installation kit 40-147 for locksets and deadbolts is adjustable for 2³/₈" and 2³/₄" backsets. Includes a removable bushing adaptor for 7/8" latch hole. For door thickness 1³/₈" to 2¹/₈".

Part no.	Description	Part no.	Description
40-015	7/8" Bit	40-148	Installation Jig *
40-029	Full Lip Strike Chisel	40-175	1" Bit
40-030	1 ¹ / ₈ " x 2 ³ / ₄ " Latch Chisel	40-176	2 ¹ / ₈ " Multi Spur Bit
40-031	1" x 2 ¹ / ₄ " Latch Chisel	40-177	1 ¹ / ₂ " Multi Spur Bit
40-032	1 ¹ / ₈ " x 2 ¹ / ₄ " Latch Chisel	40-178	Quick Change Bit Adapter
40-035	7/8" Strike Locator	M504-497	Case *

* May be ordered separately.

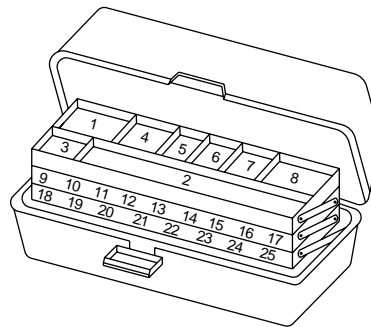


Maintenance Kit 40-097

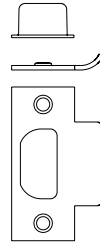
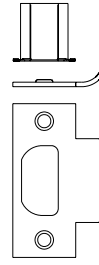
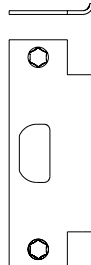
Maintenance kit for ND-Series lever locks contains: plunger sleeves, screw packs in various finishes, slide catches and service parts listed below.

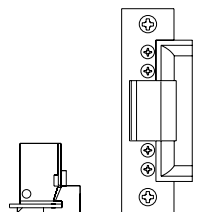
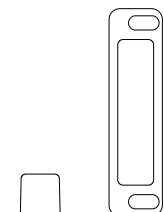
Part no.	Description	Qty	Slot no.
N523-055	Plate, anti-rotation	2	1
N523-020	Cylinder	3	2
N523-091	Driver, SFIC	5	2
N523-127	Driver, IC	5	2
24055246	Soft durometer spacer	20	3
23988066	Insert, gauge	10	3
N523-025	Clip, slide	2	4
N523-149	Slide	2	4
D500-000	Spacer, SFIC	5	5
N523-021	Screw, mounting	4	5
N523-092	Screw, machine, oval head	4	5
C604-187	Catch, slide	2	6
C604-188	Catch, slide	2	6
C604-191	Spring, catch, slide	4	6
C503-019	Slide, spring	8	7
N523-054	Plate, adjustment	2	8
N123-008	Keycam assembly	2	10
N123-009	Keycam assembly	2	11
N123-010	Keycam assembly	2	12
N123-011	Keycam assembly	2	13
N123-012	Keycam assembly	2	13
N123-013	Keycam assembly	2	14
24002693	Tool, trim removal	2	15
N123-028	Plunger assembly	5	16
N123-017	Plunger assembly	3	17
N523-056	Spindle, inside	2	18
N523-013	Spindle, outside	2	19
N523-019	Spindle, outside, electrified	2	20
N123-020	Package, screw	2	21
N123-040	Package, screw	2	22
24085037	Hub, inside	2	23
24085060	Hub, inside	2	24
24088544	Housing, outside	2	Bottom

Part no.	Description	Qty	Slot no.
63-104	Spring cage assembly, dummy	1	Bottom
M504-413	Installation tool, IC	1	Bottom
N123-021	Spring cage assy, inside	1	Bottom
N123-022	Spring cage assy, outside	1	Bottom
N123-032	Spring cage assy, inside	1	Bottom
N123-043	Spring cage assy, outside	1	Bottom
N123-056	Spring cage assy, SFIC, O/S	1	Bottom
N123-057	Spring cage assy, SFIC, I/S	1	Bottom
P515-181	Component sheet	1	Bottom



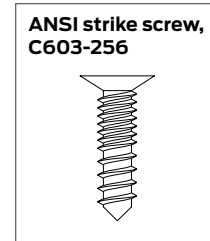
Strikes

<p>Square Corner T-Strike, 10-013 Size: 1 1/8" x 2 3/4" x 3/32" Lip length: 1 1/8", 1 1/2" Includes strike box C603-623 Available in 605, 606, 612, 613, 619, 625, 626.</p> 	<p>Square Corner Fire Door T-Strike, 10-016 Size: 1 1/8" x 2 3/4" x 3/32" Lip length: 1 1/8", 1 1/2" Includes strike box B502-853 Available in 605, 606, 612, 613, 619, 625, 626.</p> 	<p>ANSI Prep. A115.2, 10-025 Size: 1 1/8" x 4 7/8" x 3/32" Lip length: 1 3/16" (std), 1 3/8" If required, K510-066 strike must be ordered separately. Available in 605, 606, 612, 613, 619, 625, 626.</p> 
--	--	--

<p>Electric Strike, 10-042 Size: 1 1/4" x 4 7/8" 24 Volt AC 12 Volt DC Available in 606 and 626 only.</p> 	<p>ANSI Plastic Strike Box, K510-066</p> 
--	--

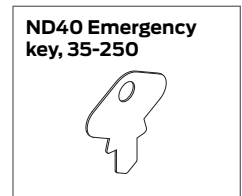
Screws, screw packs and special parts

Screws				
Part no.	Description	Door thickness	Type	Size
A501-171	ND170, washer	–	Washer	–
N523-092	ND170, mounting screw	1½" - 2"	POH Machine	¼"-20 x 2½"
C603-256	ANSI strike screw	–	PFH Combo	12-24 X 1"
C603-897	Latch and strike screw	–	PFH Combo	#8 X ¾"
N523-021	Spring cage screws	1⅜" - 2"	POH Machine	#8 X 32 x 2⅛"
N583-133	ND170, Spring cage screws	–	PFH Combo	#8 X 1"



Screw packs, standard		
Part no.	Description	Contents
B502-517	Latch and strike screws	(4) C603-897
N123-020	Mounting, all except ND170	(4) C603-897
		(2) C603-256
		(2) N523-021
		(1) M504-271
N123-040	Mounting, ND170	(2) L583-133
		(1) N523-092
		(1) A501-171
		(1) M504-271
C203-736	ANSI Strike	(2) C603-256

Special parts	
Part no.	Description
XQ02-309*	10-013 Strike, 7/8" flat lip
XQ03-494*	10-013 Strike, 1⅝" - 6" lip
	10-013 Strike, 6⅛" - 12" lip
XQ07-351*	10-025 Strike, 7/8" flat lip
	10-025 Strike, lips through 6" (except 7/8", 1⅜" and 1⅝")
XC03-069	Extension links, backsets over 5" - 42"
XN12-012**	Chassis spacer for 1⅝" door (2 required)
35-250	Emergency Key, ND40
35-251	Spanner Key, ND85



* Specify lip length

** Specify finish.

Screw packs, Torx®		
Part no.	Description	Contents
C203-311	Latch and strike (includes tool)	(4) C503-766 (T-15)
C203-312	Latch and ANSI strike (includes tool)	(2) C503-766 (T-15)
		(2) L583-371 (T-20)

Finishes

Schlage Lock finishes are durable, top quality finishes obtained by the careful processing of solid brass, bronze, stainless steel, or other materials.

Where required, a protective clear coating is applied and cured under high temperature. It is important that the climatic conditions and usage be taken into consideration when selecting finishes. This is especially true in areas subjected to strong corrosive vapors, humid climate, or sea air which, in short time, may have a damaging effect on metal finishes.

The longevity and preservation of the finish appearance is determined by base metal and finishing process. Clear protective coating or other organic finishing applications may

require different methods of cleaning and care. For example, non-clear coated finishes should not be cleaned with any soaps or solvents. Organically coated surfaces should periodically be cleaned with a mild non-abrasive soap and be buffed lightly with a clean cloth. The type of base metal and finished techniques must be considered when applying any cleaning or preservative method.

In some instances for customer convenience, the most appropriate BHMA (Builders Hardware Manufacturers Association) finish symbols are used to indicate similarity of appearance regardless of base metal or finishing process. Finish numbers in the 600-Series are the BHMA industry standard. The nearest former U.S. equivalent code designations are shown in parenthesis.

Finish codes and descriptions

Schlage code	BHMA	Description
605	(US 3)	Bright brass, clear coated
606	(US 4)	Satin brass, clear coated
612	(US 10)	Satin bronze, clear coated
613	(US 10B)	Oil rubbed bronze, oxidized satin bronze, oil rubbed, no coating

Schlage code	BHMA	Description
619	(US 15)	Satin nickel, clear coated
625	(US 26)	Bright chromium plated, no coating
626	(US 26D)	Satin chromium plated, no coating

Ordering procedures

To order Schlage products, descriptive data should be in the same sequence as shown below.

Line Item	Qty	Product	Outside		Inside		Hand	Latch	Strike	Dr Thk	Ext	Dim	Additional Details
			DES	FIN	DES	FIN							
1	2	3	4	5	6	7	8	9	10	11	12	13	14

Line Item:	Line item number
Qty:	Quantity
Product:	Complete lock product or part number
Outside DES:	Outside design code
Outside FIN:	Outside finish code
Inside DES:	Inside design code
Inside FIN:	Inside finish code
Hand:	Hand of door: Only one hand allowed per line item. Example: RH=right hand, LH=left hand, RR=right reverse, LH=left reverse
Latch:	Leave blank for standard latch or specify part number if non-standard latch is required
Strike:	Leave blank for standard strike or specify part number if non-standard latch is required. LLL=less strike
Dr Thk:	Door thickness: Enter door thickness if non-standard, example 138=1 ³ / ₈ ", 214=2 ¹ / ₄ ", 212=2 ¹ / ₂ " (EI or EO assumes the latch will be centered on 1" door, to which material has been added)
Ext:	Extension: Enter one of the following when door 2" thick or greater are specified: EE=extended equally, EI=extended inside, EO=extended outside, ED=extended differently
Dim:	Dimension: Enter dimension for non-standard strike lip length and mortise cylinder or blocking ring length
Additional Details:	Enter detail for keying information and for special requirements

Limited warranty

Limited warranty

Product warranty: commercial applications

Limited warranty

Schlage Lock Company, LLC (the “Company”) extends a three-year limited warranty to the original user of the products manufactured by the Company (the “Products”) against defects in material and workmanship from the date of purchase. Certain Products contain restrictions to this limited warranty, additional warranties or different warranty periods. Please see below for specific Product warranty information.

What The Company Will Do: Upon return of the defective Product to the Company or its authorized distributor for inspections, free and clear of all liens and encumbrances and accompanied by the statement of defects of proof of purchase, the Company will replace the Product.

Original User: These warranties only apply to the Original User of Products. These warranties are not transferable.

What Is Not Covered: The following costs, expenses and damages are not covered by the provisions of these limited warranties: (i) labor costs including, but not limited to, such costs for the removal and reinstallation of Products; (ii) shipping and freight expenses required to return the Products to the Company; or (iii) any other incidental, consequential, indirect, special and/or punitive damages, whether based on contract, warranty, tort (including, but not limited to strict liability or negligence), patent infringement, or otherwise, even if advised of the possibility of such damages. Some states do not allow the exclusion or limitation of incidental or consequential damages, so the above exclusion or limitation may not apply to you.

The provisions of this warranty do not apply to Products: (i) used for purposes for which they are not designed or intended; (ii) which have been subjected to alteration, abuse, misuse, negligence or accident; (iii) which have been improperly stored, installed, maintained or operated; (iv) which have been used in violation of written instructions provided by Schlage; (v) which have been subjected to improper temperature, humidity or other environmental conditions (i.e., corrosion); or (vi) which, based on the Company’s examination, do not disclose to the Company’s satisfaction non-conformance to the warranty. Additionally, the Company will not warrant ANSI A156.2 Grade 2 lever Product installed in educational facilities and student housing.

Specific product warranty restrictions/additional warranties

ND-Series Levers 10-Year Mechanical Warranty: The limited warranty is provided for a period of ten (10) years from the date of purchase and is subject to the restrictions of these limited warranties.

Small Format Interchangeable Core (SFIC) Warranty: The limited warranty also applies to Schlage locks and housings when used with another manufacturer’s cores, or to Schlage cores (i.e. SFIC) when used in another manufacturer’s locks and housings. The use of unauthorized cylinder cams or other components with the Products shall void these warranties.

Everest® Primus® Limited Lifetime Key Breakage Warranty: A limited lifetime warranty is provided to the original user against breakage and is subject to the restrictions of these limited warranties.

Product warranties, additional terms & conditions: commercial and residential applications

Additional Terms: The Company does not authorize any person to create for it any obligation or liability in connection with the Products. The Company’s maximum liability under these warranties is limited to the purchase price of the Product. No action arising out of any claimed breach of these warranties by the Company may be brought by the original user more than one (1) year after the cause of action has arisen.

How State Law Applies: These warranties give you specific legal rights, and you may also have other rights which vary from state to state.

Note: Should the Product be considered a consumer product as may be covered by the Magnusson Moss Federal Warranty Act, please be advised that: (1) Some states do not allow limitations or incidental consequential damages or how long an implied warranty lasts so that the above limitations may not fully apply; and (2) This warranty gives specific legal rights and a user may have other rights which may vary from state to state.

For warranty service and shipping instructions, Schlage and Portable Security Commercial customers contact:

Schlage, Customer Care
3899 Hancock Expressway
Colorado Springs, CO 80911
(877) 671-7011
Fax (800) 452-0665

The Schlage Lock Company reserves the right to make changes in designs and specifications or to make additions or improvements on its products without notice and without incurring any obligation to incorporate them on products previously manufactured.

The Schlage Lock Company is not responsible for any modification, addition or alteration to our products by others.

About Allegion

Allegion (NYSE: ALLE) creates peace of mind by pioneering safety and security. As a \$2 billion provider of security solutions for homes and businesses, Allegion employs more than 7,800 people and sells products in more than 120 countries across the world. Allegion comprises 23 global brands, including strategic brands CISA®, Interflex®, LCN®, Schlage® and Von Duprin®.

For more, visit www.allegion.com.

aptiQ ■ LCN ■ **SCHLAGE** ■ STEELCRAFT ■ VON DUPRIN