



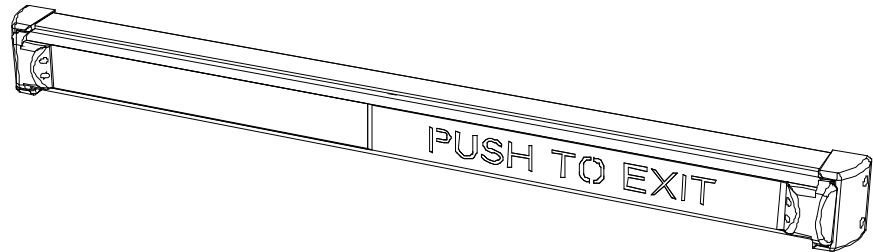
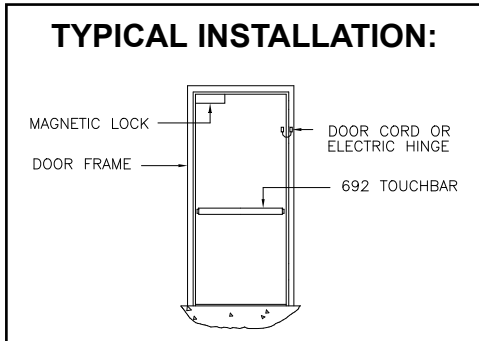
941139-00

692



TouchBar

Installation and Wiring Instructions



GENERAL DESCRIPTION: The 692 Series TouchBar is a non-latching releasing device which uses two photo beams to detect intention to exit. Breaking either or both beams will deactivate the relay. Loss of power to the device will also deactivate the relay. It is most often used as a switch to release a magnetic lock. A double pole output is standard. The device can be ordered to fit 3 standard door openings. A 24-inch (minimum) pre-connected cable comes standard to make installation easier. These devices are to be installed in accordance with the applicable codes and the local authorities having jurisdiction. It is up to local authority having jurisdiction whether this can be installed in lieu of panic hardware.

ELECTRICAL SPECIFICATIONS:	INPUT RATING:	12/24 VOLTS DC @500mA MAX.
	CONTACT RATING:	4 AMPS @ 30 VDC

WHAT MODEL DO YOU HAVE?

EXAMPLE: 692-36-628-RD-RHR-WD

HANDING:
RHR or LHR (Shown above)
To change hand (if required) see page 2.

DOOR WIDTH:
36"
42"
48"

OPTIONS:
WD Sex nuts/screws for wood or hollow metal door applications
SHK Aluminum door mounting shim kit (screws included)

PUSHPAD:
RD RED EXIT
GID GLOW IN DARK EXIT

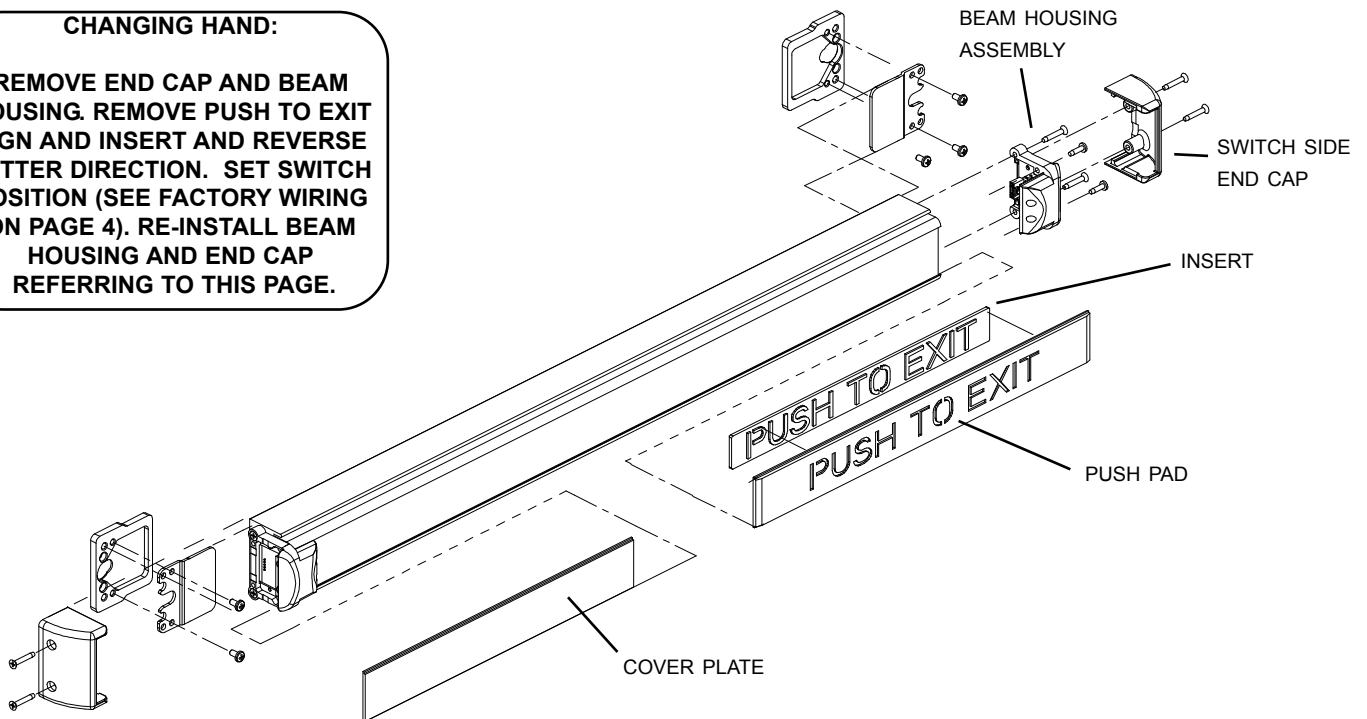
BAR FINISHES:
628 Satin aluminum
313 Dark Satin Bronze

STEP 1 VERIFY CORRECT HAND.

Note: devices ordered specifically for the job should not need to be handed.

CHANGING HAND:

REMOVE END CAP AND BEAM HOUSING. REMOVE PUSH TO EXIT SIGN AND INSERT AND REVERSE LETTER DIRECTION. SET SWITCH POSITION (SEE FACTORY WIRING ON PAGE 4). RE-INSTALL BEAM HOUSING AND END CAP REFERRING TO THIS PAGE.

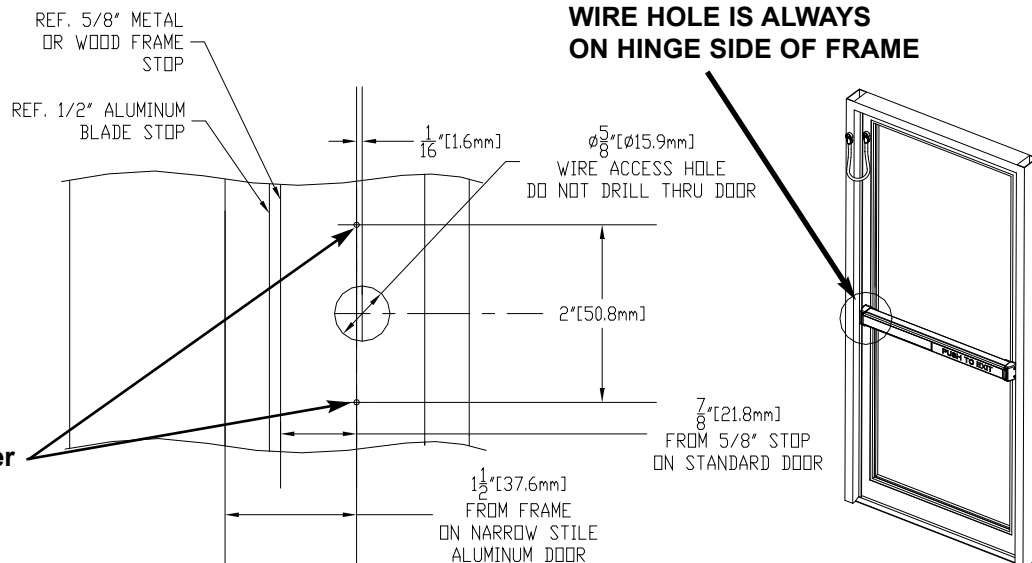


SEE BACK COVER FOR COMPLETE EXPLODED VIEW.

STEP 2 LOCATING AND DRILLING THE WIRE HOLE

- On the **hinge-side** of door, mark a horizontal centerline at the desired height for the TouchBar.
- Place a channel end cap bracket over the centerline.
- Center wire hole in the adapter plate with the centerline that was marked on door. (See below)
- Mark center of wire hole and center of one mounting hole.
- Drill a 5/8" wire access hole at wire hole mark. **DO NOT DRILL WIRE HOLE THRU DOOR.**

WIRE HOLE LOCATION:

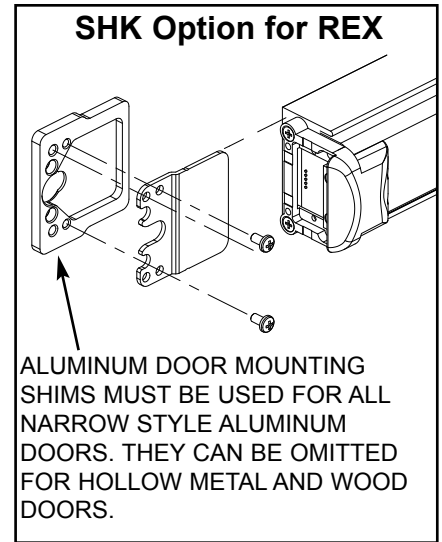
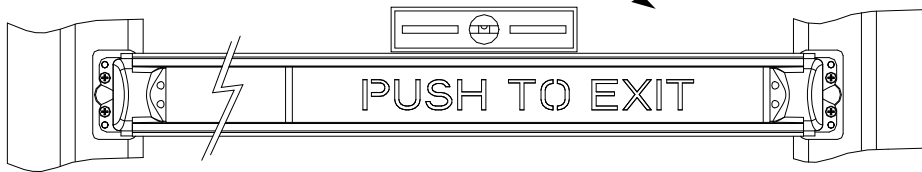


Note that hole size depends on fastener type (SEE STEP 3).

STEP 3 MARK AND DRILL MOUNTING HOLES

Fasten TouchBar to door. There are three methods of fastening the device to the door:

USE A LEVEL WHEN MARKING HOLES



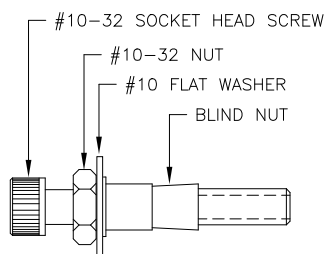
SELF DRILLING SELF TAPPING SCREWS:

- Hold device in position determined in step 3.
- Using a powered screw driver, screw in one screw on one side.
- Level the device. Secure other side with self drilling screw.
- Install remaining two screws.

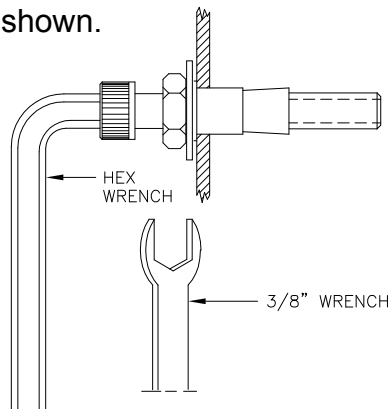
BLIND NUT INSTALLATION:

- Drill four 9/32" holes *on device side only* of door in positions marked in step 3.
- Install blind nuts as shown to right.
- Secure device using #10-32 socket cap screws.

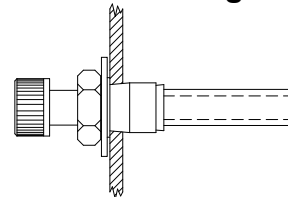
I. Assemble tool to install blind nut as shown using the parts supplied.



II. Install blind nut assembly into pre-drilled 9/32" hole in door. Hold the socket head screw firmly with the hex wrench to prevent rotations as shown.



III. Using a 3/8" wrench, rotate the nut clockwise until the nut collapses against the inside of the door skin. Some resistance will be felt. **Carefully tighten until nut is secure. Do not overtighten.**



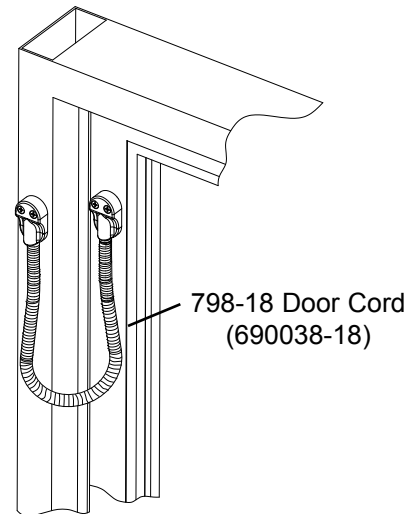
WD OPTION - SEX NUTS FOR WOOD DOORS:

- Drill four 13/32" holes thru door in positions marked in step 3.
- Using a rubber mallet, hammer in sex nuts from opposite side of door.
- Secure device using #10-24 pan head screws.

STEP 4: WIRING

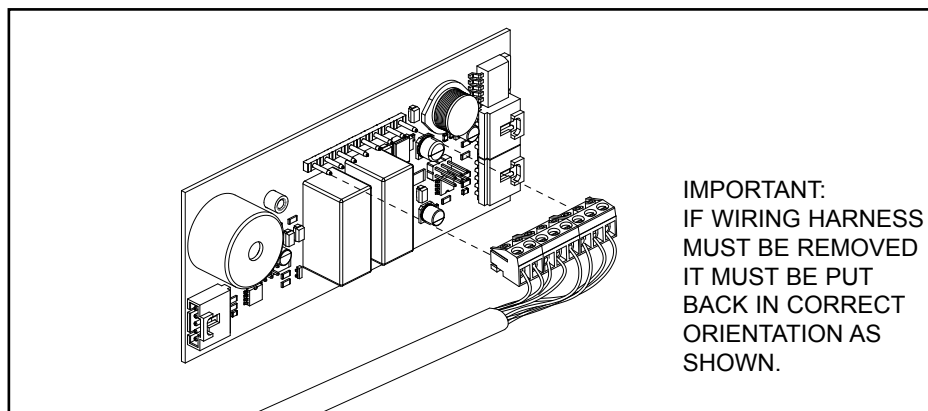
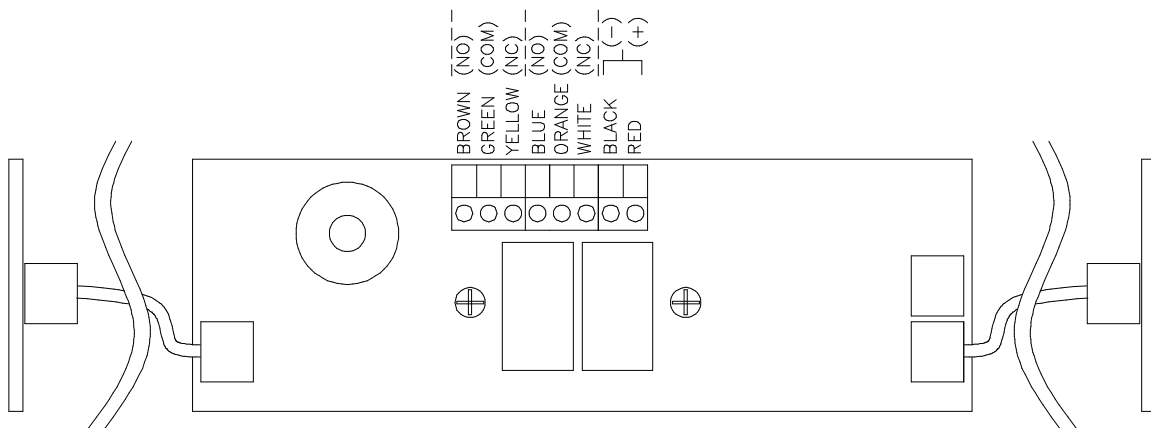
Provision must be made to get wiring to the device on the door. Common methods are an electric hinge, door cord, or power transfer device. A model 798-18 Armored Door Cord Kit is included as standard equipment with each 692 TouchBar to facilitate power transfer. Make wiring connections as required by the system wiring diagram.

See next page for typical wiring methods.

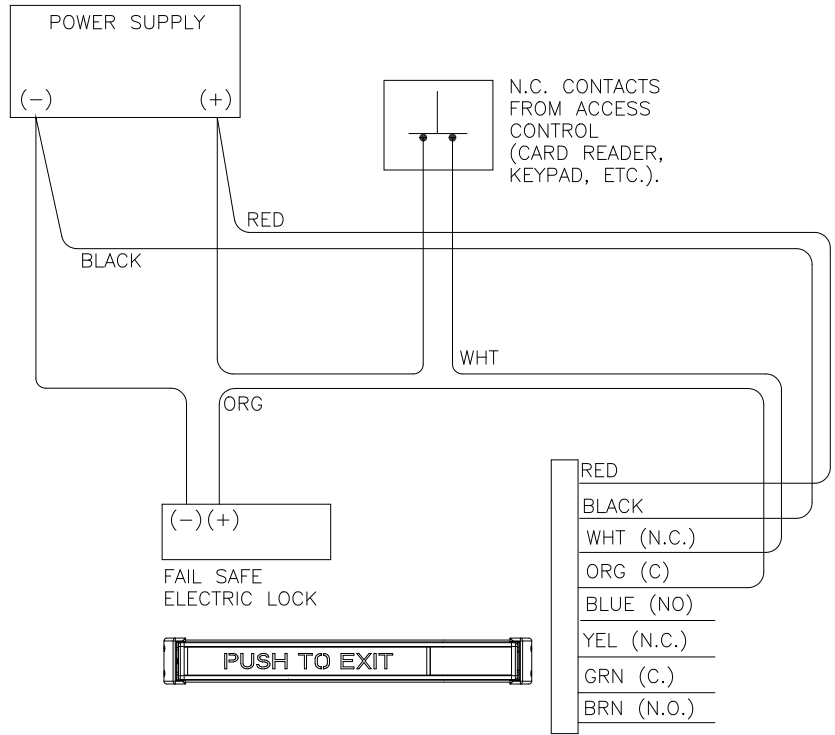


FACTORY WIRING:

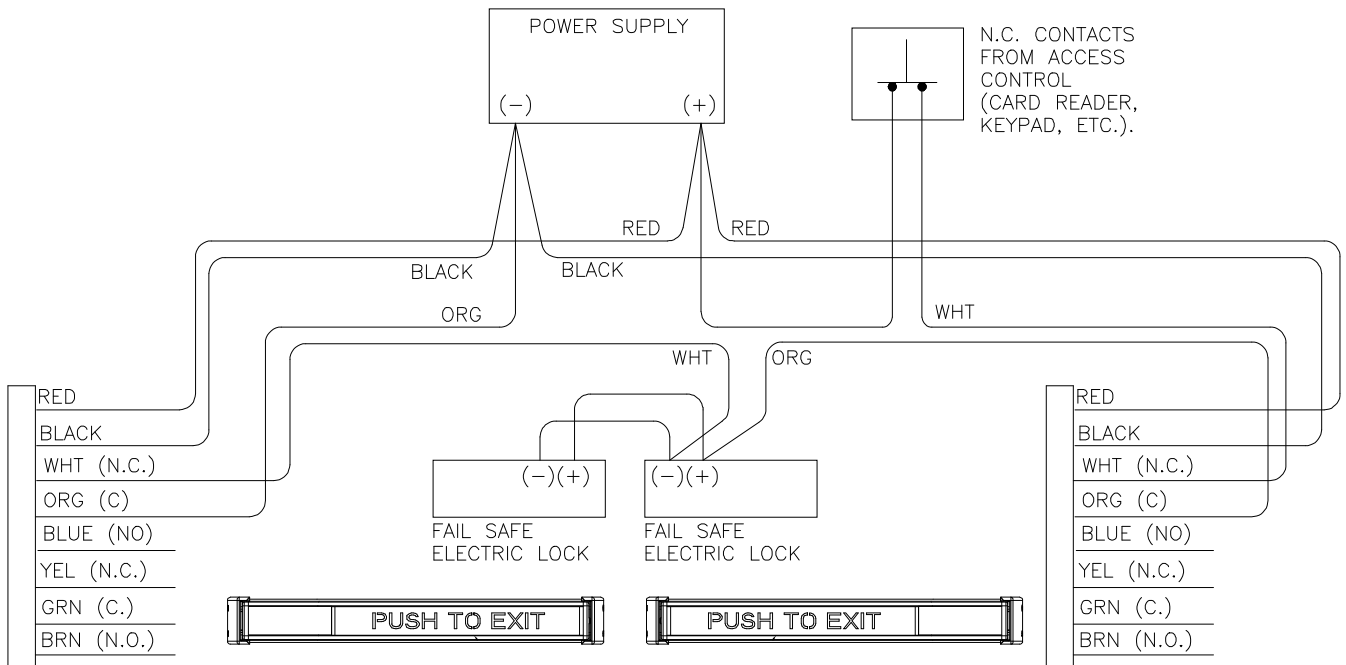
THIS INFORMATION IS SHOWN FOR TROUBLE-SHOOTING PURPOSES. DO NOT MODIFY FACTORY WIRING.



SINGLE DOOR - TYPICAL



DOUBLE DOOR - TYPICAL



TROUBLE-SHOOTING TIPS:

PROBLEM:

CONTINUOUS BEEPING
BEEPS TWICE INTERMITTENTLY
BEEPS AND CLICKS ON POWERUP
DOES NOT WORK W/ POWER APPLIED

CHECK:

Beam blocked for more than 15 seconds.
Too much light getting into detector.
Normal self-test.
Cycle power off then on again. (Always have good connections before applying power.)

PARTS BREAKDOWN:

