



8200 Series

Consoles



Overview

Schlage 8200 Series desk consoles provide door control and monitoring for up to eight zones. Designed to meet a wide range of security requirements, the 8200 Series can control and monitor electric strikes, electromagnetic locks, electromechanical exit devices or other electric locks. The console can also be used for surveillance of monitoring devices.

The circuit boards inside the console are shipped for four or eight zone applications. This design allows for momentary or maintained switch operation. Pushbuttons control and monitor assigned zones, and a signaling horn provides an audible alert of any conditions change that is associated with the red indicator lamp. Console control can be disabled with the security keyswitch.

Features and benefits

- Slope front design, with anodized face plate and durable housing
- Each station provides maintained or momentary Single Pole, Double Throw (SPDT) pushbutton switch
- Red and green indicator lamps
- Security keyswitch
- Signaling horn
- Alarm reset button
- 24 VDC operation

System design guide

There are a number of applications where an 8200 Series Console is used to monitor and control multiple door openings. It is ideal for use at a guard or nurse station. (An example of a riser diagram for a two door nurse's station console is shown below.)

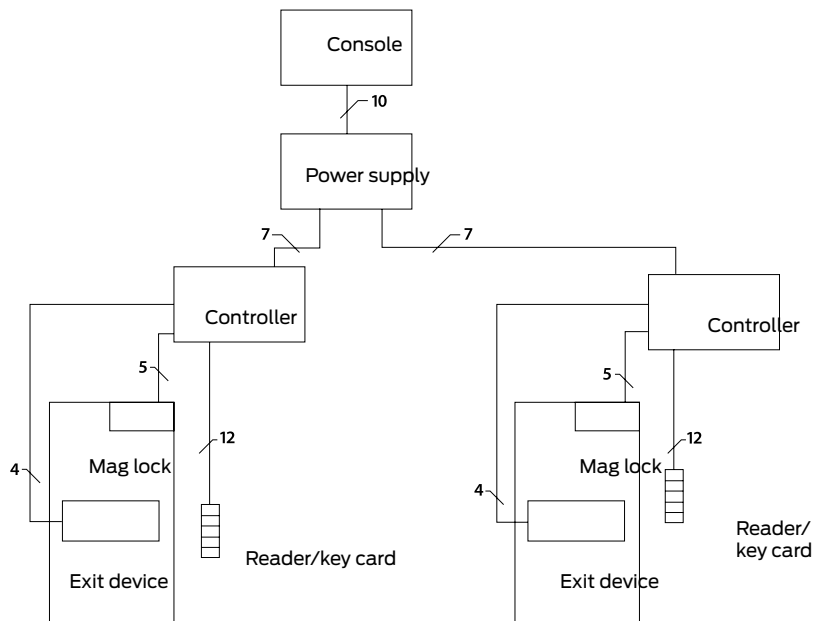
Description of system operation

Two single doors, each normally closed and secured by a magnetic lock. Magnetic lock to include Magnetic Bond Sensor (MBS) for remote monitoring of secure/not-secure condition. Legal access to be provided by keypad system. Egress to be provided by touch sensitive exit bars. Remote control and monitoring to be by a slope front desktop console. Each of two stations shall provide a momentary pushbutton switch for legal release, a red indicator for "not-secure" condition and a green indicator for "secure" condition.

Specifications

Switches (momentary or maintained)	1.0 amps 24 VDC
Lamps #85 red/green	04 amps @24 VDC
Terminal block	18/22 gauge wire
Alarm output	0.5 amps @ 24 VDC (breaker protected)
Temperature range	32° to 120°F (0° to 49°C)
Input voltage	24 VDC, +/- 15%

Riser diagram



Ordering information

Last digit indicates number of zones

4 station console
8204

8 station console
8208

Pushbutton function

- Select pushbutton function by zone.
- Select M (momentary) or A (alternate action, maintain) for each zone.

	1	2	3	4	5	6	7	8
8204	-	-	-	-				
8208	-	-	-	-	-	-	-	-

Accessories

Field installable push buttons

- 8200MS** – Momentary switch assembly
- 8200 MA** – Alternate action (maintained) switch assembly

About Allegion

Allegion (NYSE: ALLE) creates peace of mind by pioneering safety and security. As a \$2 billion provider of security solutions for homes and businesses, Allegion employs more than 7,800 people and sells products in more than 120 countries across the world. Allegion comprises 23 global brands, including strategic brands CISA®, Interflex®, LCN®, Schlage® and Von Duprin®. For more, visit www.allegion.com.

aptiQ ■ LCN ■ SCHLAGE ■ STEELCRAFT ■ VON DUPRIN



ALLEGION™

© 2014 Allegion
005004, Rev. 02/14
www.allegion.com/us