

SCHLAGE

AD-250

Standalone electronic lock



Overview

AD Series electronic locks from Schlage are designed to be modular and provide more options to choose from, more functionality in the lock and more compatibility with existing systems. Its patent-pending modular design allows the lock to be customized to fit the needs of an application now, and can change to meet future needs without removing it from the door.

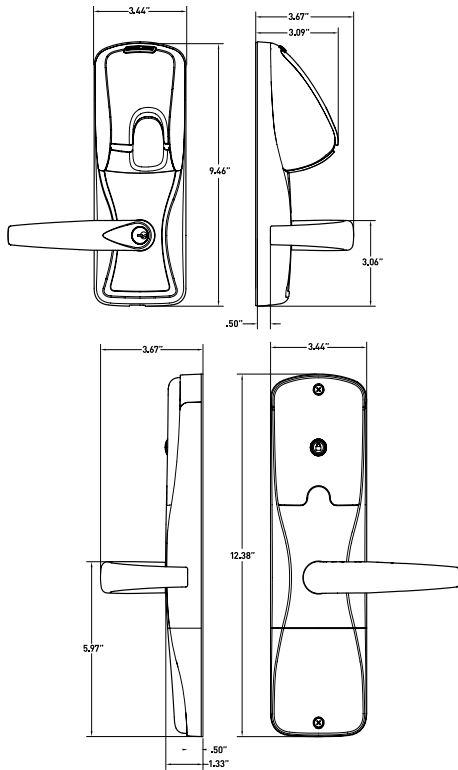
Factory orderable options include choices of magnetic stripe credential readers, chassis type, locking functions, power options, lever styles and finishes. It also offers a wide selection of features that can be configured in the field to customize your openings.

The AD-250 is a unique solution in which the credential, not the lock, carries access rights on a magnetic stripe card. This allows dynamic rights management on the card without reprogramming each lock in the facility. And the lock still maintains an audit trail of events at the door. This makes it a smart and economical solution for campus-like environments with a large number of users and offline openings.

On all AD Series standalone locks, Schlage has built in many of the incremental features needed in a networked system such as request-to-exit and request-to-enter sensors, interior cover tamper guard, as well as the door position switch. This way, if the customer chooses to network this opening in the future, all the components will be there to make the transition an easy one.

Features and benefits

- Security that's more intelligent and convenient than traditional mechanical locking devices
- Audit trail reports that allow you to track usage
- Update users and access rights using credentials instead of having to visit each lock
- The ability to upgrade to a networked solution without removing the lock from the door
- Available in cylindrical, mortise, mortise deadbolt and exit trim
- Compatible with major brands of master key systems and exit devices
- Now available with magnetic swipe reader
- ANSI/BHMA A156.25, ANSI/BHMA Grade 1, UL 294, UL 10C, FCC Part 15, ADA, RoHS



AD-250 electronic lock specifications

Users	Unlimited, dependent on software
Audits	Up to 10,000
Credential verification time	≤ 1 second
Visual/audible communications	Tri-colored LEDs and audible indicators (field configurable)
System interface	Handheld Device (HHD)
Power supply	4AA, 8AA, 12 VDC or 24 VDC
Voltage range	4 VDC to 26 VDC
Max current requirement	Up to 250 mA
Battery life	Up to 2 yrs with 4AA
Operating temperature - exterior	-31° to 151°F (-35° to 66°C)
Operating temperature - interior	32° to 120°F (0° to 49°C) (battery)
Operating humidity	0 - 100% non-condensing
Certifications	ANSI/BHMA A156.25, ANSI/BHMA Grade 1, UL 294, U L10C, FCC Part 15, ADA, RoHS
Accessories	Handheld Device (HHD), magnetic stripe credential encoder (CL-Encoder 2)

Functions

- Classroom/storeroom¹
- Office^{1, 2}
- Privacy²
- Apartment²

Standard status signals

- Lock/unlock status
- Mechanical key override
- Battery status

Schlage Utility Software on Handheld Device

The Schlage Utility Software (SUS) on the Handheld Device (HHD) provides an easy way to manage people, audits and locks for simple access control management.

Schlage Utility Software

- Initialize lock and accessories
- Field configure devices
 - Credential reader formats
 - Lock function
 - Unlock period
 - Failure mode
 - Audible alarm on/off
- Service and diagnostics
 - Battery status
 - Validate hardware and software revision
 - Troubleshooting status signals
- New device template simplifies configuration

HHD

- 3.5 in LCD display
- Touch screen/keypad backlit
- 32-bit processor
- OS: Windows Mobile 5.0
- Memory: 128 MB RAM/ 256 MB ROM
- Battery: Rechargeable 3.7 v, 1,230 mAh, Li-ion
- Dimensions: 5.3" x 2.9" x 0.7" (13.5 cm x 7.3 cm x 1.8 cm)
- Weight: 0.42 lbs (190 g)
- 4 ft (1.2 m) drop to steel surface, 2 drops per 6 sides



The HHD connects with AD Series and CO Series locks and accessories via the USB interface

HHD is also compatible with CM, CL, VIP, WA and KC2 Series locks in a serial cable connection.

¹ Classroom/storeroom and office function not available with mortise deadbolt option. To ensure safety, all functions always allow for free egress.

² Not available on exit trim.

Mechanical specifications

Chassis	Cylindrical	Mortise	Exit trim
Handing	Handed to order, field reversible		
ANSI standard (Meets or exceeds)	A156.25 A156.2 Series 4000 Grade 1	A156.25 A156.13 Series 1000 Grade 1	A156.25 A156.3
Door thickness	1 3/4" standard, 1 3/8" to 2 3/4" optional (available in 1/8" increments)		
Backset	Standard: 2 3/4" Optional: 2 3/8", 3 3/4", 5"	2 3/4" only	Defined by exit device
Latch bolt	Standard: 1/2" throw Optional: 3/4" throw	Standard: 3/4" throw Optional: 1" throw on mortise deadbolt	Provided by exit device
Levers	Pressure cast zinc, plated	Steel, plated	Steel, plated
Strike	Standard: 1 3/16" lip, ANSI, 1 1/4" x 4 7/8" Optional: Additional configurations available please see price book		Provided by exit device
Cylinder and keys	Schlage 6-pin Everest 29 S123 keyway cylinder with two patented keys standard Additional options available including Standard, SFIC, FSIC and competitor brands		

AD Series exit trim

Installed with a universal mounting plate, the AD Series exit trim is compatible with the following exit devices:

- Von Duprin 98/99 & 98/99XP¹ Rim, surface vertical rod, mortise. Concealed vertical cable and concealed vertical rod on metal doors only.
- Von Duprin 22/22F¹ Rim, surface vertical rod
- Falcon 25¹ - Rim
- Sargent® 80² Series - Rim
- Precision™ 21 Rim 2100 converts to 21 with Precision's BP21 kit
- Corbin Russwin® 5000 Series - Rim
- Yale® 7000 - Rim
- Dorma® 9300 - Rim



Magnetic stripe (swipe)
+ KEYPAD



Magnetic stripe (swipe)



Magnetic stripe (insertion)
+ KEYPAD

- Triple track reader (1, 2 or 3), field configurable
- ABA, ISO76XX Standard
- Reader can be cleaned without removing lock from door
- 12 button, 3x4 matrix backlit keypad



Magnetic stripe (insertion)

- Triple track reader (1, 2 or 3), field configurable
- ABA, ISO76XX standard

¹ Request-to-exit switch optional for future network migration

² Narrow design and reversible rim exits not compatible

Ordering information

Available through one of our GSA schedule 84 approved distributions; BAA options available

AD-250-CY-70-MG-SPA-626-PD-S123-RH-4B-13-049-10-025-1 3/4

Series	Class	Chassis	Function	Reader	Lever style	Finish	Lever cylinder	Keying type	Handing	Battery	Backset and latch	Strike	Door thickness
1	2	3	4	5	6	7	8	9	10	11	12	13	14

Selections correspond with the numbers above

Standards options are indicated in bold. See price book for specific configuration options.

3	Chassis		7	Finish		12	Backset and latch or armor front
CY	Cylindrical		626	Satin chrome		Cylindrical	
MS	Mortise		605	Bright brass		13-049	2 3/4" backset, deadlatch, square corner, 1 1/8" x 2 1/4"
MD	Mortise deadbolt		606	Satin brass		Mortise	
993R	Exit trim – Rim/CVC/CVR		612	Satin bronze		09-663	Armor front, 1 1/4" wide, square corner
993S	Exit trim – SVR		619	Satin nickel			See price book for mortise deadbolt and other backset and latch options or armor front options
993M	Exit trim – mortise		625	Bright chrome		13	Strike
993DT	Non-functioning dummy trim for exit		643e	Aged bronze		Cylindrical	
			626AM	Satin chrome antimicrobial		10-025	1 3/16" lip, ANSI, no box, 1 1/4" x 4 7/8"
						Mortise	
						10-072	1 3/16" lip, 1 1/4" x 4 7/8" square corner, box
							See price book for other available strikes
4	Function		8	Lever cylinder type		14	Door thickness
70	Classroom/storeroom		PD	Schlage 6-pin full cylinder		1 3/4"	
50	Office			See price book for other SFIC, FSIC and Less Cores options available. Compatible with Schlage, Sargent, Corbin, Medeco and Yale.		Other thicknesses available between 1 3/8" and 2 3/4"	
40	Privacy						See price book for detail
60	Apartment						
5	Reader		9	Keyway type			
MG	Magnetic stripe (insertion)		S123	Everest 29			
MGK	Magnetic stripe + keypad (insertion)			See price book for other available keyway options including master keying			
MS	Magnetic stripe (swipe)		10	Handing			
MSK	Magnetic stripe + keypad (swipe)		RH	Right handed			
DT	Dummy trim		LH	Left handed			
				Field reversible			
6	Lever		11	Battery			
SPA	Sparta		4B	4AA			
RHO	Rhodes		8B	8AA			
ATH	Athens						
TLR	Tubular						

Available with knurled surface

Lever styles

Standard cylinders shown, SFIC and FSIC also available.



Sparta

Rhodes

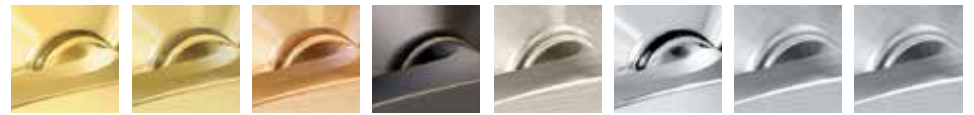


Athens

Tubular

Finishes

Warm tone finishes Cool tone finishes



605
Bright brass

606
Satin brass

612
Satin bronze

643e
Aged bronze

619
Satin nickel

625
Bright chrome

626
Satin chrome

626AM
Satin chrome with antimicrobial

Allegion, the Allegion logo, Schlage, the Schlage logo, Von Duprin and Falcon are trademarks of Allegion plc, its subsidiaries and affiliates in the United States and other countries. All other trademarks are the property of their respective owners.

About Allegion

Allegion (NYSE: ALLE) creates peace of mind by pioneering safety and security. As a \$2 billion provider of security solutions for homes and businesses, Allegion employs more than 7,800 people and sells products in more than 120 countries across the world. Allegion comprises 23 global brands, including strategic brands CISA®, Interflex®, LCN®, Schlage® and Von Duprin®. For more, visit www.allegion.com.

aptiQ ■ LCN ■ SCHLAGE ■ STEELCRAFT ■ VON DUPRIN



ALLEGION™

© 2014 Allegion
004436, Rev. 02/14
www.allegion.com/us