

**SCHLAGE**

## AD-300

Networked hardwired  
electronic lock



### Overview

AD Series electronic locks from Schlage are designed to be modular and provide more options to choose from, more functionality in the lock and more compatibility with existing systems. Its patent-pending modular design allows the lock to be customized to fit the needs of an application now, and can change to meet future needs without removing it from the door.

Factory orderable options include choices of credential readers, chassis type, network configurations, locking functions, lever styles and finishes. It also offers a wide selection of features that can be configured in the field to customize your openings.

To simplify installation, the AD Series combines all the hardware components required at the door for a complete access control system into one integrated design that includes the electrified lock, credential reader, request-to-exit and request-to-enter sensors, door position switch, tamper switch and more.

The AD-300 has a number of features built-in that are configurable in the field and a long list of items that can be monitored by access control software. Please consult your access control software partner for details on the integration of specific features.

### Features and benefits

- Open Architecture platform
- Panel interface options ensure seamless communication with your system
- Real-time communication between access control system and lock
- Field configurable fail safe/fail secure and other capabilities per code
- Available in cylindrical, mortise, mortise deadbolt and exit trim
- Compatible with major brands of master key systems
- A wide selection of credential readers and networking options to choose from
- AD Series with multi-technology readers are NFC compatible<sup>1</sup>
- FIPS 201-1 compliant when applied with the FIPS multi-technology plus keypad reader module (FMK)
- ANSI/BHMA A156.25, ANSI/BHMA Grade 1, UL 294, UL10C, FCC Part 15, ADA, RoHS, Industry Canada (IC)

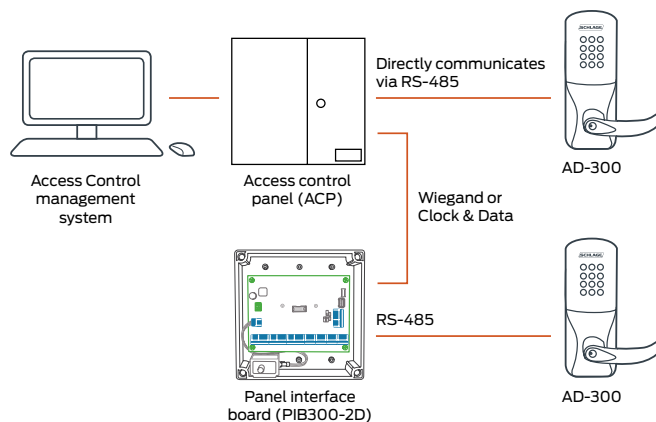
<sup>1</sup> Please refer to aptiQmobile compatibility chart for a list of certified devices

## AD-300 electronic lock specifications

Credential verification time	< 1 second <sup>1</sup>
Data rate	RS-485 : 9.6 kbps
Visual/audible communications	Tri-colored LED's and audible indicators (field configurable)
System interface	Wiegand or Clock & Data via PIB300 or RS-485 directly
Power supply	12 VDC or 24 VDC
Voltage range	4 VDC to 26 VDC
Max current requirement	Up to 250 mA
Cable specifications for power	18AWG, 2 conductor (Belden 8760 or equivalent)
Cable distance for power	AD-300 to power supply: up to 1000 ft (303 m)
Cable specifications for data	24AWG, 2 or 4 conductor shielded (Belden 9841, 9842 or equivalent)
Cabling distance for data	AD-300 to PIB300 or ACP, RS-485: up to 4000 ft (1219 m)
Operating temperature	-31° to 151°F (-35° to 66°C)
Operating humidity	0 - 100% non-condensing
Certifications	ANSI/BHMA A156.25, ANSI/BHMA Grade 1, UL 294, UL10 C, FCC Part 15, ADA, RoHS
Accessories	Panel Interface Board (PIB300), Handheld Device (HHD), Dry Contact Relay Board (RLBD) may be required for supervised inputs (Wiegand systems)

## PIB300-2D specifications

Communication range	PIB300 to lock, RS-485: up to 4000' PIB300 to ACP, Wiegand or Clock & Data: up to 500'
Visual/audible	13 LEDs for status indicators
System interface	Wiegand or Clock & Data
Power supply	12 VDC or 24 VDC
Voltage range	9.5 VDC to 26 VDC
Max current requirement	Up to 250 mA
Operating temperature	-31° to 151°F (-35° to 66°C)
Dimensions (H x W x D)	7.1" x 7.1" x 3.0" (18.0 cm x 18.0 cm x 7.6 cm)
Weight	1.25 lb (.57 kg)
Cable specifications (PIB300 to ACP)	22AWG, 8 conductor shielded (Alpha 1298C or equivalent)
Certifications	NEMA 1, 4, 4X, 6; UL 294; FCC Part 15; RoHS



<sup>1</sup> Lock requires less than 100 msec, response time does not include latency time of ACP.

<sup>2</sup> Classroom/storeroom and office function not available with mortise deadbolt option.

<sup>3</sup> Consult your access control software provider for specific scope of support. Interior pushbutton, mechanical key override and deadbolt position are only available when linked via PIM400-485.

<sup>4</sup> Not available on exit trim.

<sup>5</sup> Software indicates lock/unlock status based on sequence of events, but cannot validate mechanical clutch position unless monitored on RS-485 connection.

## Functions

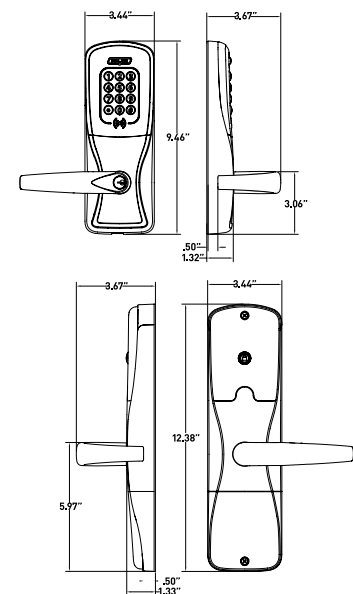
- Classroom/storeroom<sup>2</sup>
- Office<sup>2, 3, 4</sup>
- Privacy<sup>3, 4</sup>
- Apartment<sup>3, 4</sup>

## Available status signals

- Lock/unlock status<sup>5</sup>
- Request-to-exit
- Door position
- Mechanical key override<sup>3</sup>
- Deadbolt position<sup>3</sup>
- Interior cover tamper guard<sup>3</sup>
- Communication status<sup>3</sup>
- Interior push button<sup>3</sup>
- Request-to-enter<sup>3</sup>

## Panel Interface Board (PIB300-2D)

If the system requires Wiegand or Clock & Data protocol (rather than a direct RS-485 connection), the AD Series open architecture platform connects up to two AD-300 locks to the Panel Interface Board (PIB300 - sold separately, if required) that seamlessly connects to an access control panel or reader interface board. All monitoring is captured at the remote monitoring station.



## Mechanical specifications

Chassis	Cylindrical	Mortise	Exit trim
Handing	Handed to order, field reversible		
ANSI standard (Meets or exceeds)	A156.25 A156.2 Series 4000 Grade 1	A156.25 A156.13 Series 1000 Grade 1	A156.25 A156.3
Door thickness	1 3/4" standard, 1 3/8" to 2 3/4" optional (available in 1/8" increments)		
Backset	Standard: 2 3/4" Optional: 2 3/8", 3 3/4", 5"	2 3/4" only	Defined by exit device
Latch bolt	Standard: 1/2" throw Optional: 3/4" throw	Standard: 3/4" throw Optional: 1" throw on mortise deadbolt	Provided by exit device
Levers	Pressure cast zinc, plated	Steel, plated	Steel, plated
Strike	Standard: 1 3/16" lip, ANSI, 1 1/4" x 4 7/8" Optional: Additional configurations available please see price book		Provided by exit device
Cylinder and keys	Schlage 6-pin Everest 29 S123 keyway cylinder with two patented keys standard Additional options available including Standard, SFIC, FSIC and competitor brands		

## Multi-technology reader specification

Frequency	125 kHz proximity and 13.56 MHz smart card
Standards	Standards ISO standard 15693 and ISO 14443
Maximum read range	Up to 1.25" on 125 kHz proximity, up to 0.75" on 13.56 MHz smart card
125 kHz compatibility	Schlage Proximity, XceedID™ Proximity, HID® Proximity, GE/CASI ProxLite®, AWID® Proximity, LenelProx®
13.56 MHz compatibility	Schlage MIFARE® Secure Sector, XceedID™ MIFARE® Secure Sector, aptiQ™ smart cards using MIFARE DESFire™ EV1 with PACSA; PIV and PIV-1 <sup>2</sup>
13.56 MHz compatibility (serial number only)	DESFire® CSN, HID iCLASS® CSN, Inside Contactless PicoTag® CSN, MIFARE® MIFARE DESFire™ EV1, ST Microelectronics® CSN, Texas Instruments Tag-It® Serial Number, Phillips I-Code® CSN
125 kHz compatible XceedID credentials	125 kHz clamshell, ISO card, ISO card with magnetic stripe, keyfob, and PVC disk (7000 series)
13.56 MHz compatible aptiQ™ credentials	aptiQ™ smart cards using MIFARE® in clamshell, ISO card, ISO card with magnetic stripe, keyfob and PVC Patch (9000 Series); aptiQ™ smart cards using MIFARE DESFire™ EV1 in clamshell, ISO card, ISO card with magnetic stripe, keyfob, and PVC disk (8000 Series)
Certifications/standards	FCC, Industry Canada (IC), UL 294 Listed, ISO standard 15693, and ISO standard 14443
Style/layout	Option for 12 button, 3x4 matrix backlit keypad

<sup>1</sup> FIPS 201-1 compliant option available: The AD Series can be used in applications which require approval by the U.S. Federal Government under HSPD-12 for FIPS 201-1 compliance. Specific components are required, please see the AD 401 data sheet or AD 301 data sheet for complete details.

<sup>2</sup> 75 bit output format default. Configurable to other output formats.

<sup>3</sup> Please refer to aptiQmobile compatibility chart for a list of certified devices

## AD Series exit trim:

AD-300 and AD-400 exit trim is exclusively compatible with Von Duprin 98/99 and 98/99XP (Rim, Mortise, and SVR. CVC and CVR on Metal doors only), Von Duprin 22/22F (Rim and SVR) and Falcon 25 (Rim) exit devices made by Allegion. The proper low current request-to-exit switch (RX-LC or AE) is required.

Part numbers for request-to-exit switch:

- Von Duprin: 050281
- Falcon: 650359

## Benefits of AD Series multi-technology readers:

- Reads multiple brand of both proximity (125 kHz) and smart (13.56 MHz) technologies with single device
- AD Series multi-technology readers are NFC compatible<sup>3</sup>
- Allows end user to migrate to more secure credentials over time and as budgets permit

## Additional readers

### Magnetic stripe

- Now available with choice of insertion or swipe style readers
- Triple track reader (1, 2 or 3), field configurable
- ABA, ISO76XX standard
- Option for 12 button, 3x4 matrix backlit keypad

### Keypad

- Backlit keypad
- 12 button, 3x4 matrix

## Available AD Series reader modules



**Multi-technology**

- Proximity
- Smart card
- KEYPAD



**Multi-technology**

- Proximity
- Smart card



**Magnetic stripe (insertion)**

- KEYPAD



**Magnetic stripe (insertion)**



**Magnetic stripe (swipe)**

- KEYPAD



**Magnetic stripe (swipe)**



**Keypad**

FIPS 201-1 compliant option available (FMK)

# Ordering information

Available through one of our GSA schedule 84 approved distributions; BAA options available

AD-300-CY-70-MG-SPA-626-PD-S123-RH-13-049-10-025-1<sup>3/4</sup>

Series	Class	Chassis	Function	Reader	Lever style	Finish	Lever cylinder	Keying type	Handing	Backset and latch	Strike	Door thickness
1	2	3	4	5	6	7	8	9	10	11	12	13

Selections correspond with the numbers above

Standards options are indicated in bold. See price book for specific configuration options.

<b>3</b>	<b>Chassis</b>
CY	Cylindrical
MS	Mortise
MD	Mortise deadbolt
993R	Exit trim – Rim/CVC/CVR
993S	Exit trim – SVR
993M	Exit trim – mortise
993DT	Non-functioning dummy trim for exit
<b>4</b>	<b>Function</b>
70	Classroom/storeroom
50	Office
40	Privacy
60	Apartment
Lock function capabilities are determined by users access control system	
<b>5</b>	<b>Reader</b>
KP	Keypad
MG	Magnetic stripe (insertion)
MGK	Magnetic stripe + keypad (insertion)
MS	Magnetic stripe (swipe)
MSK	Magnetic stripe + keypad (swipe)
MT	Multi-technology (125kHz and 13.56 MHz)
MTK	Multi-technology + keypad (125kHz and 13.56 MHz)
FMK	FIPS 201-1 compliant multi-technology + keypad (125 kHz and 13.56 MHz)
DT	Dummy trim

<b>6</b>	<b>Lever</b>
SPA	Sparta
RHO	Rhodes
ATH	Athens
TLR	Tubular
Available with knurled surface	
<b>7</b>	<b>Finish</b>
626	Satin chrome
605	Bright brass
606	Satin brass
612	Satin bronze
619	Satin nickel
625	Bright chrome
643e	Aged bronze
626AM	Satin chrome antimicrobial
<b>8</b>	<b>Lever cylinder type</b>
PD	Schlage 6-pin full cylinder
See price book for other SFIC, FSIC and less cores options available. Compatible with Schlage, Sargent, Corbin, Medeco and Yale.	
<b>9</b>	<b>Keyway type</b>
<b>S123</b>	<b>Everest 29</b>
See price book for other available keyway options including master keying	

<b>10</b>	<b>Handing</b>
<b>RH</b>	<b>Right handed</b>
LH	Left handed
Field reversible	
<b>11</b>	<b>Backset and latch or armor front</b>
<b>Cylindrical</b>	
<b>13-049</b>	<b>2 3/4" backset, deadlatch, square corner, 1 1/8" x 2 1/4"</b>
<b>Mortise</b>	
<b>09-663</b>	<b>Armor front, 1 1/4" wide, square corner</b>
See price book for mortise deadbolt and other backset and latch options or armor front options	
<b>12</b>	<b>Strike</b>
<b>Cylindrical</b>	
<b>10-025</b>	<b>1 3/16" lip, ANSI, no box, 1 1/4" x 4 7/8"</b>
<b>Mortise</b>	
<b>10-072</b>	<b>1 3/16" lip, 1 1/4" x 4 7/8" square corner, box</b>
See price book for other available strikes	
<b>13</b>	<b>Door thickness</b>
<b>1 3/4"</b>	
Other thicknesses available between 1 3/8" and 2 3/4"	
See price book for detail	

## Lever styles

Standard cylinders shown, SFIC and FSIC also available.



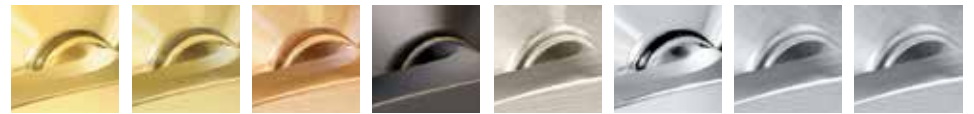
Sparta Rhodes



Athens Tubular

## Finishes

Warm tone finishes Cool tone finishes



605 Bright brass 606 Satin brass 612 Satin bronze 643e Aged bronze 619 Satin nickel 625 Bright chrome 626 Satin chrome 626AM Satin chrome with antimicrobial

Allegion, the Allegion logo, Schlage, the Schlage logo, XceedID, Von Duprin, Falcon, and aptiQ are trademarks of Allegion plc, its subsidiaries and/or affiliates in the United States and other countries. All other trademarks are the property of their respective owners.

## About Allegion

Allegion (NYSE: ALLE) creates peace of mind by pioneering safety and security. As a \$2 billion provider of security solutions for homes and businesses, Allegion employs more than 7,800 people and sells products in more than 120 countries across the world. Allegion comprises 23 global brands, including strategic brands CISA®, Interflex®, LCN®, Schlage® and Von Duprin®. For more, visit [www.allegion.com](http://www.allegion.com).

aptiQ ■ LCN ■ SCHLAGE ■ STEELCRAFT ■ VON DUPRIN



ALLEGION™

© 2014 Allegion  
004448, Rev. 02/14  
[www.allegion.com/us](http://www.allegion.com/us)