



AD Series

Exit trim compatibility



Overview

The AD Series electronic lock is available in 993 Exit Trim for use on openings that require exit devices for either retrofit or new construction applications. Offline and networked solutions are available. The 993 Exit Trim was designed to suite with AD Series cylindrical and mortise locksets to ensure that the facility remains aesthetically consistent. The AD Series 993 Exit Trim utilizes universal hardware to simplify installation of offline trim to a variety of exit devices, including rim style from Von Duprin, Falcon, Sargent®, Precision™ Corbin Russwin®, Dorma®, and Yale®.

Available Exit Trim styles:

- 993R – Rim, concealed vertical cable or concealed vertical rod (CVC and CVR for metal doors only)
- 993S – Surface vertical rod
- 993M – Mortise

Features and benefits

- Multiple credential reader options
- Offline and networked communication options
- A wide variety of finishes and lever styles
- Power options that include hardwired (12 VDC or 24 VDC) or batteries (4AA or 8AA)
- Compatible with most standard, FSIC or SFIC keyways from major brands of master key systems including Schlage, Sargent®, Corbin Russwin®, Medeco® and Yale®

Compatibility

Devices	AD-200/250	AD-300/AD-301 ³ AD-400/AD-401 ³
Von Duprin 98/99 and 98/99XP rim/SVR/ CVR ¹ /CVC ¹ /mortise	X	X
Von Duprin 22/22F rim/SVR	X	X
Falcon 25 rim	X	X
Sargent® 80 ² rim	X	
Precision™ 21 rim (2100 converts to 21 with Precision's BP21 kit)	X	
Yale® 7000 rim	X	
Corbin Russwin® 5000 rim	X	
Dorma® 9300 rim	X	

¹ For metal doors only

² Narrow design and reversible rim exits not compatible.

³ The proper low current request to exit switch (RX-LC) is required for AD-300/301 and AD-400/401. Part numbers for request to exit switch:

- Von Duprin: 050281
- Falcon: 650359

Available AD Series reader modules²

- Multi-technology (125 kHz proximity and 13.56 MHz smart card)
- FIPS 201-1 compliant multi-technology (125 kHz proximity and 13.56 MHz smart card)
- Magnetic stripe
- Keypad only
- All credential readers available + keypad

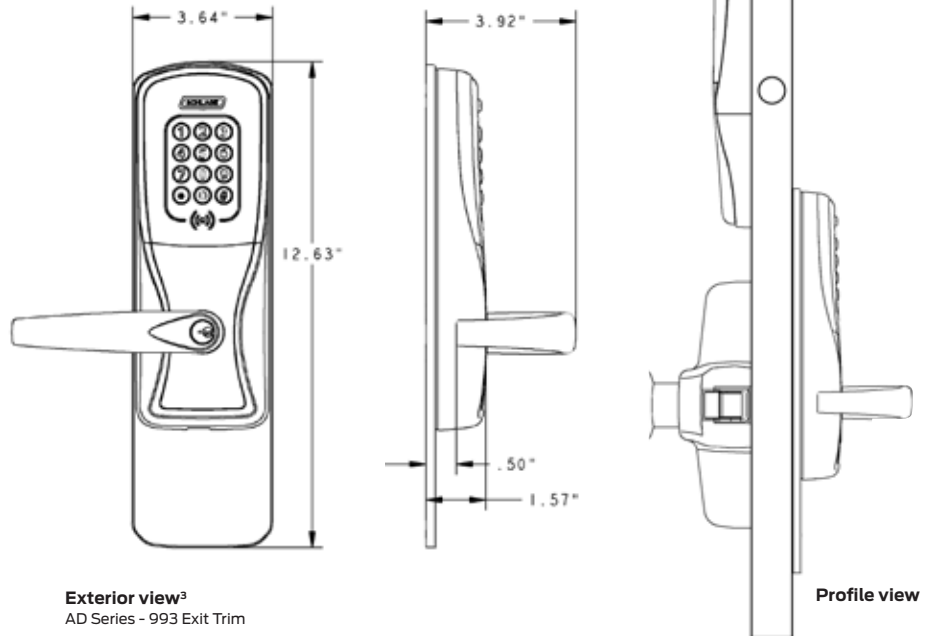
Available communication options

- AD-400: Networked wireless locks
- AD-401: Networked wireless locks - FIPS 201-1 compliant
- AD-300: Networked hardwired locks
- AD-301: Networked hardwired locks - FIPS 201-1 compliant
- AD-250: Offline, access rights stored on the magnetic stripe credential
- AD-200: Offline, access rights stored on the lock

¹ AD-300/301 includes LED indicator

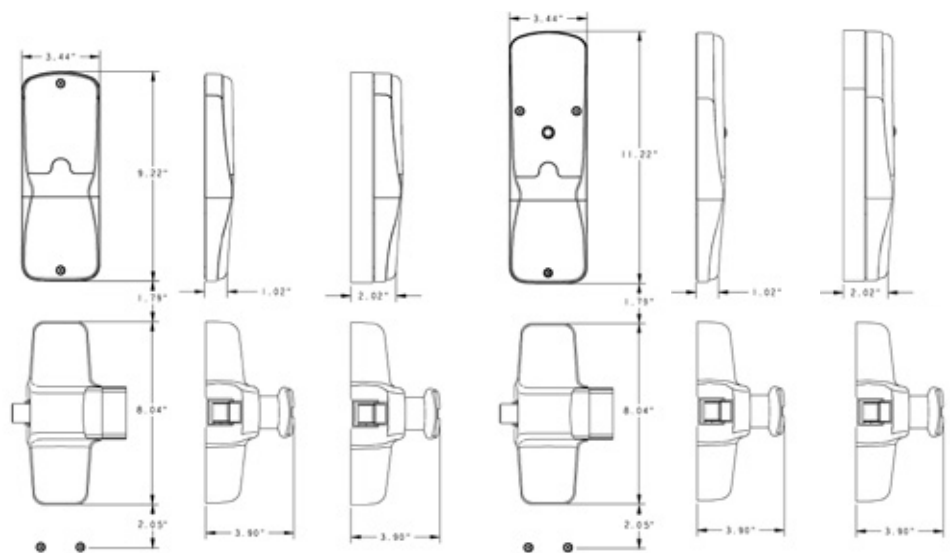
² Unlike other AD Series chassis styles, upgrading reader modules on the 993 Exit Trim requires the exterior escutcheon to be removed from the door

³ (2) #7 fasteners with decorative washers located 11.88" below bottom edge of lock



Exterior view³
AD Series - 993 Exit Trim

Profile view



Interior view
AD-200/
250/300*/
301* -
all styles

Side view
AD-200/250/
300/301* -
rim/CVR/CVC
or mortise

Side view
AD-200/250/
300/301*
SVR

Interior view
AD-400/401
all styles

Side view
AD-400/
401 rim/CVR/CVC
or mortise

Side view
AD-400/
401 SVR

Allegion, the Allegion logo, Schlage, the Schlage logo, Von Duprin, and Falcon are trademarks of Allegion plc, its subsidiaries and/or affiliates in the United States and other countries. All other trademarks are the property of their respective owners.

About Allegion

Allegion (NYSE: ALLE) creates peace of mind by pioneering safety and security. As a \$2 billion provider of security solutions for homes and businesses, Allegion employs more than 8,000 people and sells products in more than 120 countries across the world. Allegion comprises 27 global brands, including strategic brands CISA®, Interflex®, LCN®, Schlage® and Von Duprin®. For more, visit www.allegion.com.