

**SCHLAGE**

## CO-220

Standalone classroom lockdown solution with remote fob and visual indicator



Images shown are not to scale and are subject to change.

### Overview

The CO Series standalone classroom lockdown solution with remote fob and visual indicator is the ideal solution for customers who require the ability to initiate immediate local lockdown in the event of an emergency. The CO-220 classroom lockdown solution with remote fob and visual indicator can be put into a lockdown state (panic mode) from within the room by authorized staff members utilizing a pre-paired remote fob.

The CO-220 classroom lockdown solution with remote fob and visual indicator is computer or manually programmable with user rights stored on the lock. The Handheld Device (HHD), used in conjunction with your access control software, allows you to easily add or delete users and retrieve audits.

By issuing electronic credentials, you can minimize the number of mechanical keys issued which protects the integrity of your key system. A variety of credential readers are also available, including keypad, magnetic stripe and proximity.

Cylindrical and mortise chassis options are available as well as a wide variety of finishes and levers to suite with your existing hardware. Mechanical key override is standard and compatible with multiple cylinder types.

The CO Series has been tested to the highest standards in the industry to ensure the quality and reliability you have come to expect from Schlage. The CO Series is ANSI/BHMA A156.25, ANSI/BHMA Grade 1 certified, and UL 10C Listed.

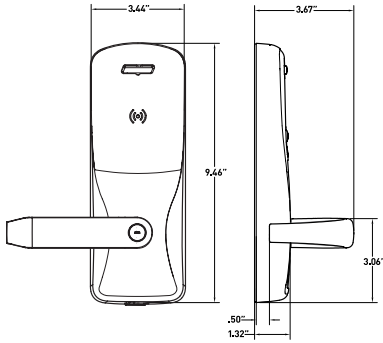
### Features and benefits

- Includes one pre-paired remote lockdown fob
  - Typical range of up to 75' on secured side and up to 25' on exterior side of the door\*
- Continuous internal LED illumination during lockdown/panic mode
- In lockdown/panic mode, only administrative/safety official credentials will override lock
- Always free egress even in lockdown/panic mode
- Manually or computer programmable with audit trail
- Up to 2000 users and up to 2000 audits\*\*
- Up to 32 holidays and 16 time zones\*\*
- ANSI/BHMA A156.25, ANSI/BHMA Grade 1 certified and UL 10C Listed
- User rights stored on the lock
- The ability to add and delete users at the lock
- Available in cylindrical and mortise
- Compatible with major brands of key systems

\* Depending on building construction

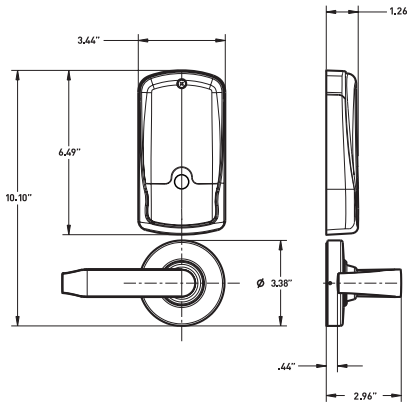
\*\* Depending on standalone access control software

### Exterior of the lock



### Interior of the lock

#### Cylindrical



## CO-220 electronic lock specifications

Users	Up to 2,000*
Audits	Up to 2,000*
Credential verification time	≤ 1 second
Visual/audible communications	Tri-colored LED's and audible indicators
Power supply	4 AA batteries (standard off the shelf: included)
Voltage range	4 VDC to 7 VDC
Max current requirement	Up to 250 mA
Battery life	Up to 2 yrs with 4AA batteries
Operating temperature - exterior	-31° to 151°F (-35° to 66°C)
Operating temperature - interior	32° to 120°F (0° to 49°C) due to batteries
Operating humidity	0 - 100% non-condensing
Certifications	ANSI/BHMA A156.25, ANSI/BHMA Grade 1, UL 10 C, FCC Part 15, ADA and RoHS

\*Depending on access control software.

### Functions

- Classroom/storeroom

Note: To ensure safety, all functions always allow for free egress.

### Standard status signals

- Mechanical key override
- Battery status - indicated by blinking lights

## Fob specifications

Battery life	Up to 2 years with a CR2025 coin cell battery
--------------	---

- Each fob is designed to be paired with a unique lock
- Up to 10 fobs can be paired per unique lock.

## Schlage Utility Software on Handheld Device

The Schlage Utility Software (SUS) on the Handheld Device (HHD), in conjunction with your access control software, provides an easy way to manage people, audits and locks for simple access control management.

### Schlage Utility Software

- Initialize lock and accessories
- Field configure devices
  - Credential reader formats
  - Lock function
  - Unlock period
  - Failure mode
  - Audible alarm on/off
- Service and diagnostics
  - Battery status
  - Validate hardware and software revision
  - Troubleshooting status signals
- New device template simplifies configuration

### HHD

- 3.5 in LCD display
- Touch screen/keypad backlit
- 32-bit processor
- OS: Windows Mobile 5.0
- Memory: 128 MB RAM/ 256 MB ROM
- Battery: Rechargeable 3.7 v, 1,230 mAh, Li-ion
- Dimensions: 5.3" x 2.9" x 0.7" (13.5 cm x 7.3 cm x 1.8 cm)
- Weight: 0.42 lbs (190 g)
- 4 ft (1.2 m) drop to steel surface, 2 drops per 6 sides



The HHD connects with CO Series and AD Series locks and accessories via the USB interface

HHD is also compatible with CM, CL, VIP, WA and KC2 Series locks in a serial cable connection.

## Mechanical specifications

Chassis	Cylindrical (Based on Schlage ND Series)	Mortise (Based on Schlage L Series)
Handing	Handed to order, field reversible	
ANSI standard	Meets or exceeds A156.25 and A156.2 Series 4000, Grade 1 strength and operational requirements	Meets or exceeds A156.25 and A156.13 Series 1000, Grade 1 operational and security
Door thickness	1 3/4" standard, 1 3/8" to 2 3/4" optional (available in 1/8" increments)	
Backset	2 3/4" standard, 2 3/8", 3 3/4" and 5" optional	2 3/4" only
Latch bolt	1/2" throw security latch standard 3/4" throw optional	3/4" throw with anti-friction tongue standard, 1" throw deadbolt on mortise deadbolt option*
Levers	Pressure cast zinc, plated to match finish symbols	Steel, plated to match finish symbols
Strike	ANSI curved lip strike 1 1/4" x 4 7/8" x 1 3/16" lip to center standard, optional strikes, lip lengths and ANSI strike box available	ANSI curved lip strike 1 1/4" x 4 7/8" x 1 3/16" lip to center with dust box standard, optional strikes lip lengths available

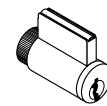
## Cylinder compatibility

	Full size key-in-lever 6 pin	Full size key-in-lever 7 pin	FSIC 6 and 7 pin	SFIC 6 and 7 pin
Schlage	●		●	●
Falcon	▲	◆		▲
Sargent® (10L + 11L full size)	▲		▲	▲
Corbin Russwin®			▲*	▲
Yale® (also includes Medeco 31* 0100 FSIC)			▲	▲
Best®				▲

● = With cylinder or less cylinder options      ▲ = Less cylinder only  
 ◆ = Less cylinder, only with Sparta and Rhodes levers

Note: See pricebook for specific configurations.

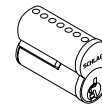
\* JDC07 Corbin Russwin 7 pin cylinder available in Rhodes, Sparta and Tubular



Full cylinder



Full Size Interchangeable Core



Small Format Interchangeable Core

## Reader specifications

	Keypad	Magnetic stripe	Proximity
Frequency standards	N/A	ABA, ISO76XX standard high and low coercivity	125 kHz
Maximum read range	N/A	N/A (swipe card)	up to 1.25"
Compatibility	3-6 digit pin code	Triple track reader (1, 2 or 3), field configurable	Schlage, XceedID® HID®, GE/CASI ProxLite™ and AWID®
Compatible XceedID/Schlage credentials	N/A	Configurable to read complete track 1, 2 or 3	125 kHz clamshell, ISO card, ISO card with magnetic stripe, keyfob, and PVC disk (7000 Series)
Style/layout	12-button, 3x4 matrix	Option for 12-button, 3x4 matrix	Option for 12-button, 3x4 matrix

Available CO-220 reader options



Keypad



Proximity  
■ KEYPAD



Proximity



Magnetic Stripe



Magnetic Stripe  
■ KEYPAD

# Ordering information

Required fields							Factory defaults and options					
CO-220-CY-75-PR-SPA-626-PD-S123-RH-13-049-10-025-1 3/4												
Series	Class	Chassis	Function	Reader	Lever style	Finish	Lever cylinder	Keying type	Handing	Backset and latch	Strike	Door thickness
1	2	3	4	5	6	7	8	9	10	11	12	13

Selections correspond with the numbers above

Standards options are indicated in bold. See price book for specific configuration options.

<b>3</b>	<b>Chassis</b>
CY	Cylindrical
MS	Mortise
<b>4</b>	<b>Function</b>
75	Classroom Security
<b>5</b>	<b>Reader</b>
KP	Keypad
PR	Proximity
PRK	Proximity + keypad
MS	Magnetic stripe
MSK	Magnetic stripe + keypad
<b>6</b>	<b>Lever</b>
SPA	Sparta
RHO	Rhodes
ATH	Athens
TLR	Tubular
Available with knurled surface	

<b>7</b>	<b>Finish</b>
626	Satin chrome
605	Bright brass
606	Satin brass
612	Satin bronze
619	Satin nickel
625	Bright chrome
643e	Aged bronze
626AM	Satin chrome antimicrobial
<b>8</b>	<b>Lever cylinder type</b>
PD	Schlage 6-pin full cylinder
See price book for other SFIC, FSIC and less cores options available. Compatible with Schlage, Sargent, Corbin, Medeco and Yale.	
<b>9</b>	<b>Keyway type</b>
<b>S123</b>	<b>Everest 29</b>
See price book for other available keyway options including master keying	
<b>10</b>	<b>Handing</b>
<b>RH</b>	<b>Right handed</b>
RHR	Right handed reverse
LH	Left handed
LHR	Left handed reverse
Field reversible	

<b>11</b>	<b>Backset and latch or armor front</b>
<b>Cylindrical</b>	
<b>13-049</b>	<b>2 3/4" backset, deadlatch, square corner, 1 1/8" x 2 1/4"</b>
<b>Mortise</b>	
<b>09-663</b>	<b>Armor front, 1 1/4" wide, square corner</b>
See price book for mortise deadbolt and other backset and latch options or armor front options	
<b>12</b>	<b>Strike</b>
<b>Cylindrical</b>	
<b>10-025</b>	<b>1 3/16" lip, ANSI, no box, 1 1/4" x 4 7/8"</b>
<b>Mortise</b>	
<b>10-072</b>	<b>1 3/16" lip, 1 1/4" x 4 7/8" square corner, box</b>
See price book for other available strikes	
<b>13</b>	<b>Door thickness</b>
<b>1 3/4"</b>	
Other thicknesses available between 1 3/8" and 2 3/4"	
See price book for detail	

## Lever styles

Standard cylinders shown, SFIC and FSIC also available.



Sparta



Rhodes



Athens



Tubular

## Warm tone finishes



605  
Bright brass

606  
Satin brass

612  
Satin bronze

643e  
Aged bronze

## Cool tone finishes



619  
Satin nickel

625  
Bright chrome

626  
Satin chrome

626AM  
Satin chrome with antimicrobial



## CO-220

**Standalone classroom lockdown solution with remote fob and visual indicator**

### Added protection for students — reassurance for parents.

School systems today are looking to improve classroom security. A proactive approach ensures that the right preventative measures and emergency protocols are in place. Our expert Security and Safety consultants are available to partner with school personnel, security and safety committees and local law enforcement officials to develop a comprehensive security solution for your school.

Classroom lockdown is an important part of a comprehensive emergency response plan. The CO-220 is an affordable solution that allows immediate local lockdown by simply pushing the button on the remote fob from anywhere in the classroom. An illuminated visual indicator provides instant verification that the door is secured. The CO-220 provides a localized solution for schools that want to upgrade without the cost or complexity of a networked system.

With over 90 years of experience, Schlage is an industry expert in physical security. We offer a variety of products designed and tested to the highest standards in the industry to meet the unique needs of schools. Put our knowledge to work for you. Security consultants are available nationwide to advise on door hardware, access control and code compliance.





### CO-220 classroom security lock options

The CO-220 classroom security lock is available with a variety of options to meet the specific needs of your school. You can assign PIN numbers, magnetic stripe or proximity cards to your staff members, instead of keys for access. For small campuses, the CO-220 lock can be manually programmed at the lock. For larger campuses, you can use offline access control software\* which provides the ability to manage a database of access users, set schedules and capture audits. In both cases, remote fobs are paired at the lock; multiple fobs can be paired to a lock.

Cylindrical, mortise and exit trim<sup>1</sup> chassis options are available, as well as a wide variety of finishes and lever styles to suite with your existing hardware. Mechanical key override is standard and compatible with multiple cylinder types. The CO-220 has been tested to the highest standards in the industry, including ANSI/BHMA A156.25 and is ANSI/BHMA Grade 1 certified and UL fire-rated.

### Remote fob is convenient and easy to use

The remote fob can be worn conveniently around the neck or wrist so that it is immediately accessible by teachers and staff members. Lockdown can be initiated by pressing the button on the fob from anywhere inside the room.

### Visual indicator

When the button on the remote fob is pressed, the visual indicator illuminates to provide verification that the door is secured.

\* For additional details, please visit our website under the Alliances section.



We offer a complete portfolio of products, designed specifically for the education market. From mechanical locks and exit devices with classroom security inside indicators to networked locks with real-time centralized lockdown, we can tailor a solution to your unique security needs and budget.

<sup>1</sup> Exit trim option available summer 2014

## Start with Allegion

Here's how to access the resources you need.

Contact us at **877.671.7011** to consult with your local Security Consultants and Specification Writers

Visit us at [us.allegion.com/industries/education](http://us.allegion.com/industries/education) for product information, case studies and additional resources such as an online security and safety self-assessment.

## About Allegion

Allegion (NYSE: ALLE) creates peace of mind by pioneering safety and security. As a \$2 billion provider of security solutions for homes and businesses, Allegion employs more than 7,800 people and sells products in more than 120 countries across the world. Allegion comprises 23 global brands, including strategic brands CISA®, Interflex®, LCN®, Schlage® and Von Duprin®. For more, visit [allegion.com](http://allegion.com)

aptiQ ■ LCN ■ SCHLAGE ■ STEELCRAFT ■ VON DUPRIN



© 2013 Allegion  
009807, Rev. 01/14  
[www.allegion.com/us](http://www.allegion.com/us)