

SCHLAGE

CO-250

Standalone electronic lock



Images shown are not to scale.

Overview

The CO Series is the ideal solution for customers seeking the added security and convenience of electronic access control without the cost or complexity of a fully networked system.

The CO-250 is a computer programmable offline lock that stores user rights on the magnetic stripe credential, and captures an audit trail in the lock. The CO-250 provides dynamic rights management, meaning you do not have to visit the door to change user access rights. This makes it a cost effective solution for offline environments with a large number of users. The CO-250 also allows you to retrieve audits by using the Handheld Device (HHD) in conjunction with your access control software.

The CO-250 from Schlage offers you many choices. Cylindrical, mortise, mortise deadbolt, and exit trim chassis options are available as well as a wide variety of finishes and levers to suite with your existing hardware.

Mechanical key override is standard and compatible with multiple cylinder types. The CO Series is also compatible with many popular brands of exit devices.

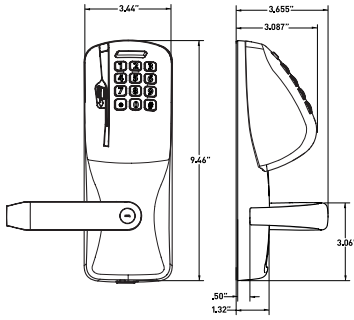
The CO Series has been tested the highest standards in the industry to ensure quality and reliability you have come to expect from Schlage. The CO Series is ANSI/BHMA A156.25, ANSI/BHMA Grade 1 certified and UL 294 Listed.

Features and benefits

- Computer programmable with audit trail
- Unlimited number of users and up to 4000 audits¹
- Available with magnetic stripe and magnetic stripe plus keypad
- Up to 32 holidays and 16 time zones¹
- ANSI/BHMA A156.25, ANSI/BHMA Grade 1 certified and UL 294 Listed
- User rights stored on the magnetic stripe credential
- The ability to easily add and delete users
- Available in cylindrical, mortise, mortise deadbolt, and exit trim
- Compatible with major brands of key systems and exit devices
- Classroom/storeroom, office, and privacy functions available

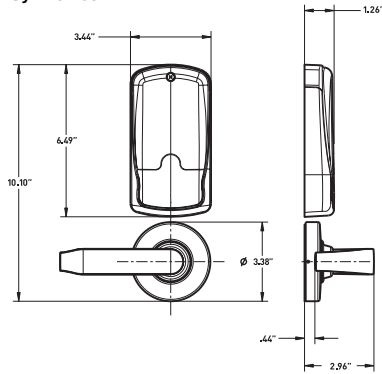
¹ Depending on access control software.

Exterior of the lock

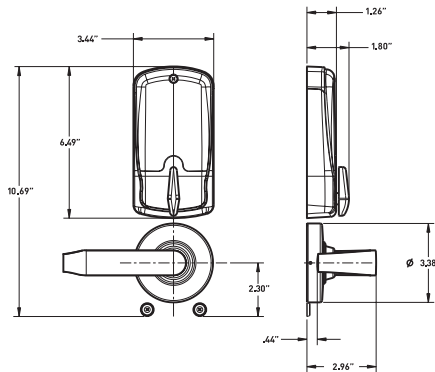


Interior of the lock

Cylindrical



Mortise deadbolt



CO-250 electronic lock specifications

Users	Unlimited ¹
Audits	Up to 4,000 ¹
Credential verification time	≤ 1 second
Visual/audible communications	Tri-colored LED's and audible indicators (field configurable)
System Interface	Handheld device
Power supply	4 AA batteries
Battery life	Up to 2 yrs with 4 AA batteries
Operating temperature - exterior	-31° to 151°F (-35° to 66°C)
Operating temperature - interior	32° to 120°F (0° to 49°C) due to batteries
Operating humidity	0 - 100% non-condensing
Certifications	ANSI/BHMA A156.25, ANSI/BHMA Grade 1, UL 294, UL 10 C, FCC Part 15, ADA and RoHS
Accessories	Handheld Device (HHD), magnetic stripe credential encoder (CL-Encoder 2)

Functions

- Classroom/storeroom²
- Office²
- Privacy³

Standard status signals

- Mechanical key override
- Battery status

Schlage Utility Software on Handheld Device

The Schlage Utility Software (SUS) on the Handheld Device (HHD), in conjunction with your access control software, provides an easy way to manage people, audits and locks for simple access control management.

Schlage Utility Software

- Initialize lock and accessories
- Field configure devices
 - Credential reader formats
 - Lock function
 - Unlock period
 - Failure mode
 - Audible alarm on/off
- Service and diagnostics
 - Battery status
 - Validate hardware and software revision
 - Troubleshooting status signals
- New device template simplifies configuration

HHD

- 3.5 in LCD display
- Touch screen/keypad backlit
- 32-bit processor
- OS: Windows Mobile 5.0
- Memory: 128 MB RAM/ 256 MB ROM
- Battery: Rechargeable 3.7 v, 1,230 mAh, Li-ion
- Dimensions: 5.3" x 2.9" x 0.7" (13.5 cm x 7.3 cm x 1.8 cm)
- Weight: 0.42 lbs (190 g)
- 4 ft (1.2 m) drop to steel surface, 2 drops per 6 sides



The HHD connects with CO Series and AD Series locks and accessories via the USB interface

HHD is also compatible with CM, CL, VIP, WA and KC2 Series locks in a serial cable connection.

¹ Depending on access control software.

² Classroom/storeroom and office function not available with mortise deadbolt option. To ensure safety, all functions always allow for free egress.

³ Door position switch is required for cylindrical and mortise chassis with privacy function.

Mechanical specifications

Chassis	Cylindrical	Mortise	Exit trim
Handing	Handed to order, field reversible		
ANSI standard (Meets or exceeds)	A156.25 A156.2 Series 4000 Grade 1	A156.25 A156.13 Series 1000 Grade 1	A156.25 A156.3
Door thickness	1 3/4" standard, 1 3/8" to 2 3/4" optional (available in 1/8" increments)		
Backset	Standard: 2 3/4" Optional: 2 3/8", 3 3/4", 5"	2 3/4" only	Defined by exit device
Latch bolt	Standard: 1/2" throw Optional: 3/4" throw	Standard: 3/4" throw Optional: 1" throw on mortise deadbolt	Provided by exit device
Levers	Pressure cast zinc, plated	Steel, plated	Steel, plated
Strike	Standard: 1 3/16" lip, ANSI, 1 1/4" x 4 7/8" Optional: Additional configurations available please see price book		Provided by exit device
Cylinder and keys	Schlage 6-pin Everest 29 S123 keyway cylinder with two patented keys standard Additional options available including Standard, SFIC, FSIC and competitor brands		

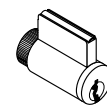
Exit device compatibility

		Rim	SVR	CVR/CVC	Mortise
Von Duprin	98/99 and 98/99 XP	✓	✓	✓ ¹	✓
Von Duprin	22/22F	✓	✓		
Falcon	25	✓			
Corbin Russwin®	5000	✓			
Precision™ 21 Rim 2100 converts to 21 with Precision's BP21 kit		✓			
Yale®	7000	✓			
Dorma®	9300	✓			
Sargent®	80 ²	✓			

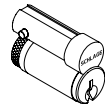
Cylinder compatibility

	Full size key-in-lever 6 pin	Full size key-in-lever 7 pin	FSIC 6 pin	SFIC 6 and 7 pin
Schlage	●		●	●
Falcon	▲	▲		▲
Sargent® (10L + 11L full size)	▲		▲	▲
Corbin Russwin®			▲ ³	▲
Yale® (also includes Medeco 31* 0100 FSIC)			▲	▲
Best®				▲

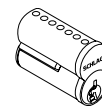
● = With cylinder or less cylinder options ▲ = Less cylinder only
 ▲ = Less cylinder, only with Sparta and Rhodes levers



Full cylinder



Full Size Interchangeable Core



Small Format Interchangeable Core

Reader specifications



- Magnetic stripe**
- Triple track reader (1, 2 or 3), field configurable
 - ABA, ISO76XX standard
 - 12 button, 3x4 matrix keypad



- Magnetic stripe**
- KEYPAD
 - Triple track reader (1, 2 or 3), field configurable
 - ABA, ISO76XX standard

¹ Metal door only

² Narrow design and reversible rim exits not compatible

³ JDCO Corbin Russwin 7 pin cylinder available in Rhodes, Sparta and Tubular

Ordering information

Available through one of our GSA schedule 84 approved distributions

Required fields						Factory defaults and options						
CO-250-CY-70-MS-SPA-626-PD-S123-RH-13-049-10-025-1 3/4												
Series	Class	Chassis	Function	Reader	Lever style	Finish	Lever cylinder	Keying type	Handing	Backset and latch	Strike	Door thickness
1	2	3	4	5	6	7	8	9	10	11	12	13

Selections correspond with the numbers above

Standards options are indicated in bold. See price book for specific configuration options.

3	Chassis
CY	Cylindrical
MS	Mortise
MD	Mortise deadbolt
993R	Exit trim – Rim/CVC/CVR
993S	Exit trim – SVR
993M	Exit trim – mortise
993DT	Dummy exit trim
4	Function
70	Classroom/storeroom
50	Office
40	Privacy
5	Reader
MS	Magnetic stripe
MSK	Magnetic stripe + keypad
6	Lever
SPA	Sparta
RHO	Rhodes
ATH	Athens
TLR	Tubular

Available with knurled surface

7	Finish
626	Satin chrome
605	Bright brass
606	Satin brass
612	Satin bronze
619	Satin nickel
625	Bright chrome
643e	Aged bronze
626AM	Satin chrome antimicrobial
8	Lever cylinder type
PD	Schlage 6-pin full cylinder
See price book for other SFIC, FSIC and less cores options available. Compatible with Schlage, Sargent, Corbin, Medeco and Yale.	
9	Keyway type
S123	Everest 29
See price book for other available keyway options including master keying	
10	Handing
RH	Right handed
RHR	Right handed reverse
LH	Left handed
LHR	Left handed reverse

Field reversible

11	Backset and latch or armor front
Cylindrical	
13-049	2 3/4" backset, deadlatch, square corner, 1 1/8" x 2 1/4"
Mortise	
09-663	Armor front, 1 1/4" wide, square corner
See price book for mortise deadbolt and other backset and latch options or armor front options	
12	Strike
Cylindrical	
10-025	1 3/16" lip, ANSI, no box, 1 1/4" x 4 7/8"
Mortise	
10-072	1 3/16" lip, 1 1/4" x 4 7/8" square corner, box
See price book for other available strikes	
13	Door thickness
1 3/4"	
Other thicknesses available between 1 3/8" and 2 3/4"	
See price book for details	

Lever styles

Standard cylinders shown, SFIC and FSIC also available.



Sparta

Rhodes

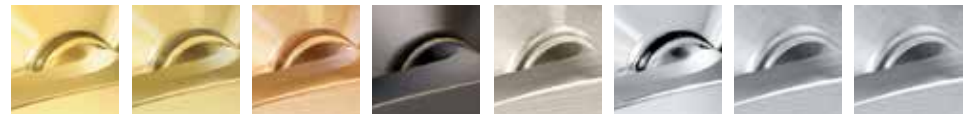


Athens

Tubular

Finishes

Warm tone finishes Cool tone finishes



605
Bright brass

606
Satin brass

612
Satin bronze

643e
Aged bronze

619
Satin nickel

625
Bright chrome

626
Satin chrome

626AM
Satin chrome with antimicrobial

Allegion, the Allegion logo, Schlage, the Schlage logo, Von Duprin and Falcon are trademarks of Allegion plc, its subsidiaries and/or affiliates in the United States and other countries. All other trademarks are the property of their respective owners.

About Allegion

Allegion (NYSE: ALLE) creates peace of mind by pioneering safety and security. As a \$2 billion provider of security solutions for homes and businesses, Allegion employs more than 7,800 people and sells products in more than 120 countries across the world. Allegion comprises 23 global brands, including strategic brands CISA®, Interflex®, LCN®, Schlage® and Von Duprin®. For more, visit www.allegion.com.

aptiQ ■ LCN ■ SCHLAGE ■ STEELCRAFT ■ VON DUPRIN



ALLEGION™

© 2014 Allegion
004184, Rev. 02/14
www.allegion.com/us