



CO Series

Exit Trim compatibility



Overview

The CO Series offers 993 Exit Trim for use with compatible exit devices in retrofit or new construction applications. The 993 Exit Trim was designed to suite with CO Series cylindrical and mortise locksets to ensure that the facility remains aesthetically consistent. The CO Series 993 Exit Trim utilizes universal hardware to simplify installation of offline trim to a variety of exit devices, including Rim style from Von Duprin, Falcon, Sargent®, Precision™ Corbin Russwin®, Dorma® and Yale®

Available Exit Trim styles:

- 993R – Rim, Concealed Vertical Rod or Concealed Vertical Cable (CVR/CVC for metal doors only)
- 993S – Surface vertical rod
- 993M – Mortise
- 993DT – Non-functioning dummy trim for exit

Features and benefits

- Multiple credential reader options
- A wide variety of finishes and lever styles
- Powered by 4 AA batteries¹
- Compatible with most standard, FSIC or SFIC keyways from major brands of master key systems including Schlage, Sargent®, Corbin Russwin®, Medeco® and Yale®
- UL 294 Listed, ANSI/BHMA A156.25, ANSI/BHMA Grade 1 certified²

Compatibility

Devices	CO-100	CO-200	CO-250
Von Duprin 98/99 and 98/99XP Rim/SVR/CVR ³ /CVC ³ /mortise	X	X	X
Von Duprin 22/22F Rim/SVR	X	X	X
Falcon 25 Rim	X	X	X
Sargent® 80 ⁴ Rim	X	X	X
Precision™ 21 Rim (2100 converts to 21 with Precision's BP21 kit)	X	X	X
Yale® 7000 Rim	X	X	X
Corbin Russwin® 5000 Rim	X	X	X
Dorma® 9300 Rim	X	X	X

¹ Excluding 993DT

² UL 294 does not apply to dummy trim devices or CO-220 locks

³ Metal door only

⁴ Narrow design and reversible Rim exits not compatible

Compatibility

Reader options	CO-100	CO-200	CO-250
KP keypad	X	X	
PR proximity		X	
PRK proximity + keypad		X	
MS magnetic stripe		X	X
MSK magnetic stripe + keypad		X	X

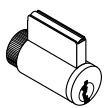
Programming options

Reader options	CO-100	CO-200	CO-250
Computer		X	X
Manual	X	X	

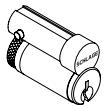
Cylinder compatibility

	Full size (key-in-lever 6 pin)	Full size (key-in-lever 7 pin)	FSIC (6 pin)	SFIC (6 and 7 Pin)
Schlage	●		●	●
Falcon	▲	◆		▲
Sargent®	▲		▲	▲
Corbin Russwin®			▲ ¹	▲
Yale® (also includes Medeco 31*0100 FSIC)			▲	▲
Best®				▲

● = with cylinder or less cylinder options ▲ = less cylinder only
◆ = less cylinder, SPA and RHO only



Full cylinder

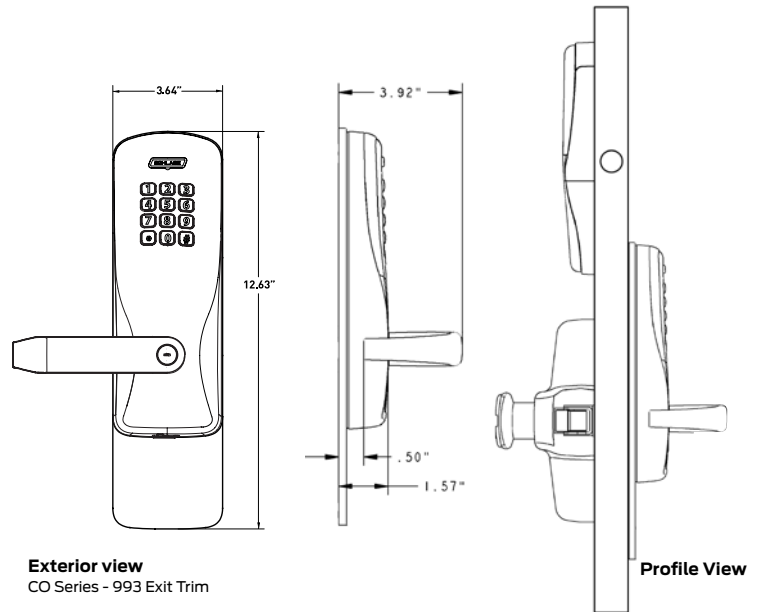


Full Size Interchangeable Core

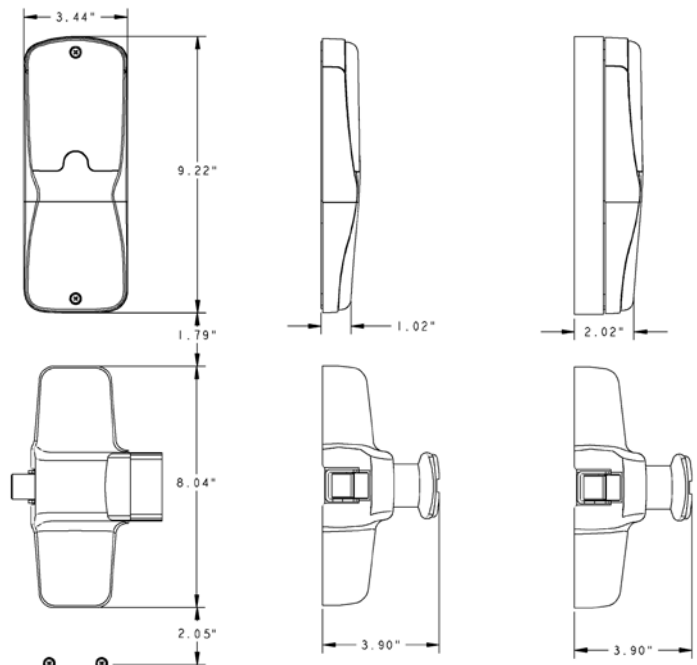


Small Format Interchangeable Core

¹ JDC07 Corbin Russwin 7 Pin cylinder available in Rhodes, Sparta and Tubular



Exterior view
CO Series - 993 Exit Trim



Interior view
CO-100/200/250
-all styles

Side view
CO-100/200/250
- Rim/CVR/CVC or
mortise

Side view
CO-100/200/
250 SVR

Note: (2) #7 fasteners with decorative washers located 11.88" below bottom edge of lock

Allegion, the Allegion logo, Schlage, the Schlage logo, Von Duprin and Falcon are trademarks of Allegion plc, its subsidiaries and/or affiliates in the United States and other countries. All other trademarks are the property of their respective owners.

About Allegion

Allegion (NYSE: ALLE) creates peace of mind by pioneering safety and security. As a \$2 billion provider of security solutions for homes and businesses, Allegion employs more than 7,800 people and sells products in more than 120 countries across the world. Allegion comprises 23 global brands, including strategic brands CISA®, Interflex®, LCN®, Schlage® and Von Duprin®. For more, visit www.allegion.com.