



23737901



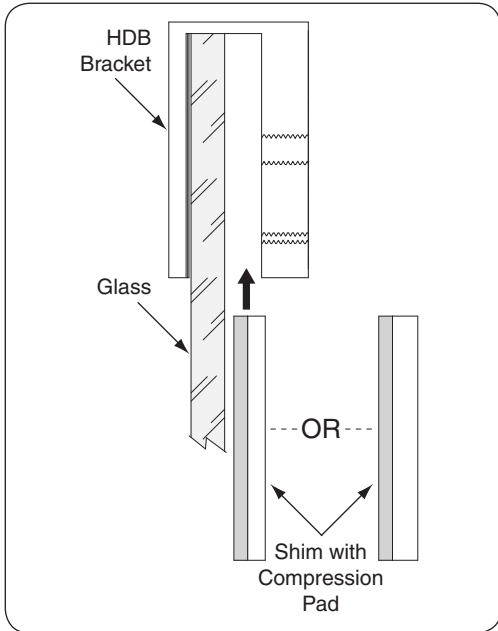
HDB Kit for M400 Series Electromagnetic Locks

Installation Instructions

Note: Herculite Door Bracket (HDB) is to be used with glass doors.

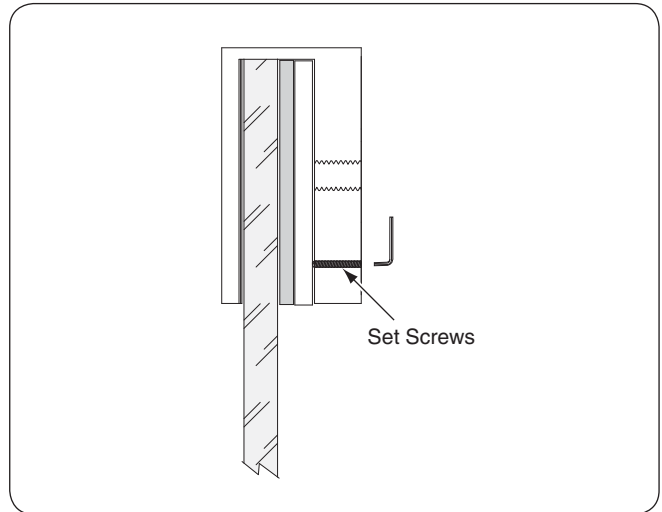
1 INSTALL HDB BRACKET

1a Select Appropriate Shim



1b Install HDB Bracket

- Install appropriate shim (padded side toward glass)
- Tighten set screws ($\frac{3}{32}$ " hex wrench included)

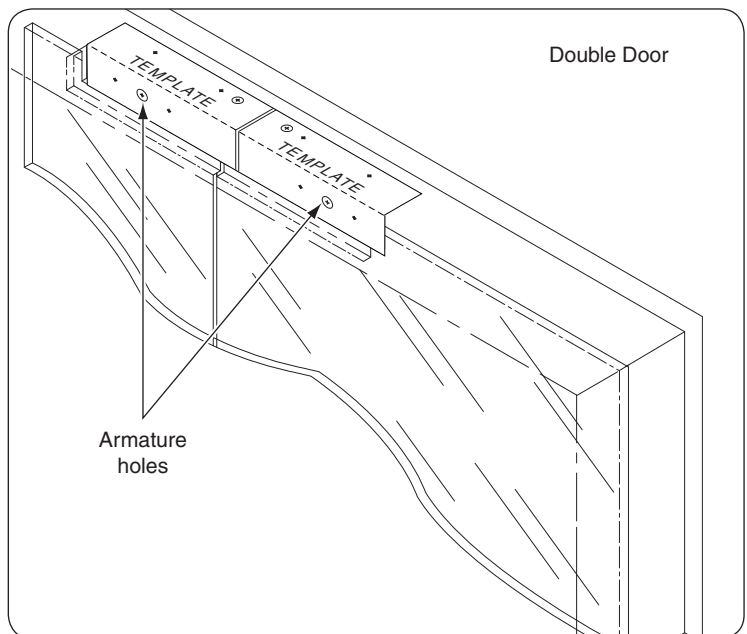
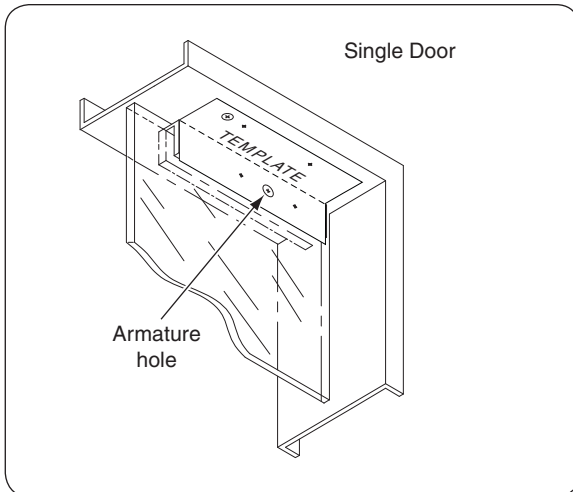


Shim with compression pad to be installed on top of glass opposite the hinge side with the hole for the armature facing toward the "push" side of the opening.

2 PREPARE FRAME

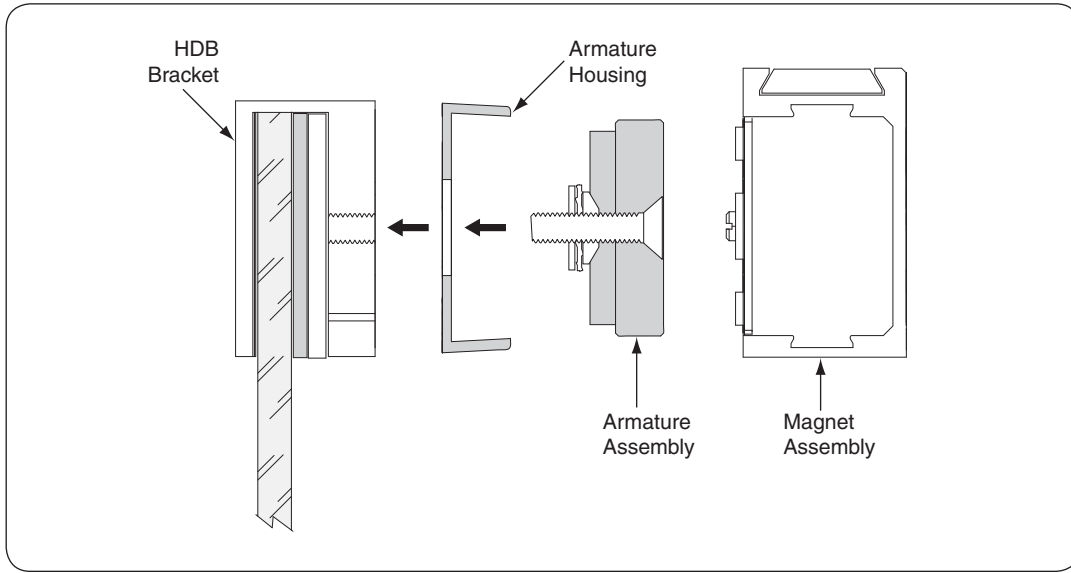
2a Tape Template on HDB Bracket and Frame

- Align armature hole on template with armature hole in HDB bracket
- Prepare frame holes per template



3 INSTALL MAGNETIC LOCK

3a Attach Armature to HDB Bracket



3b Continue Installation Per Magnetic Lock Installation Instructions