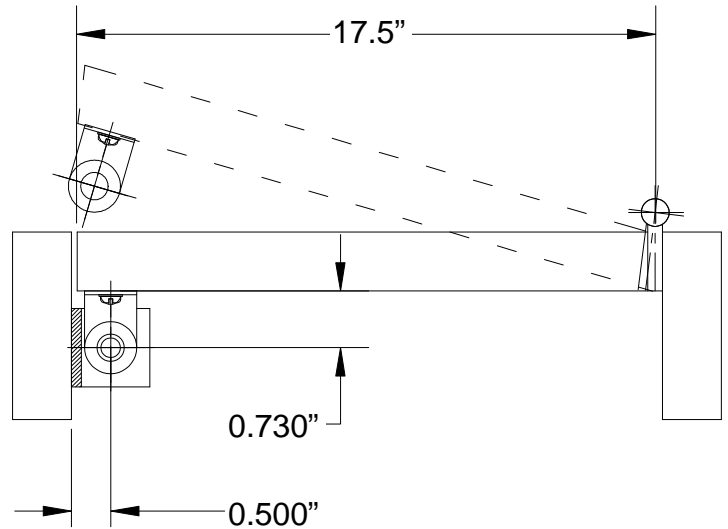
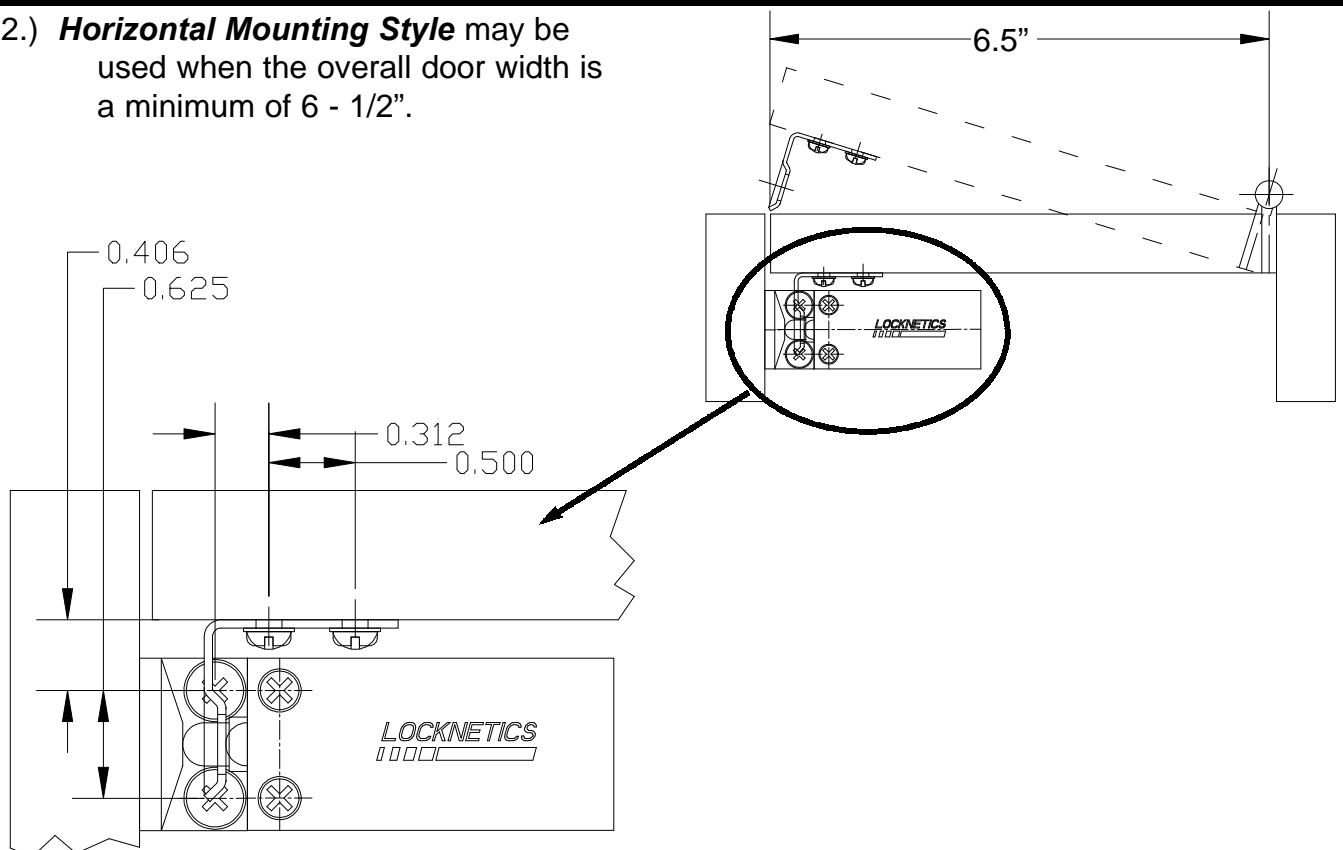


- 1.) **Vertical Mounting Style** may be used when the overall door width is a minimum of 17 - 1/2".

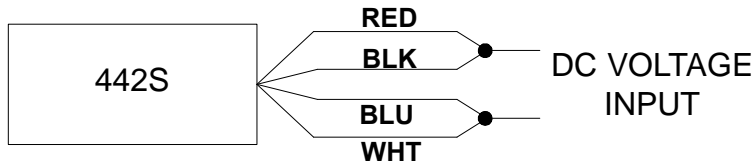


- 2.) **Horizontal Mounting Style** may be used when the overall door width is a minimum of 6 - 1/2".

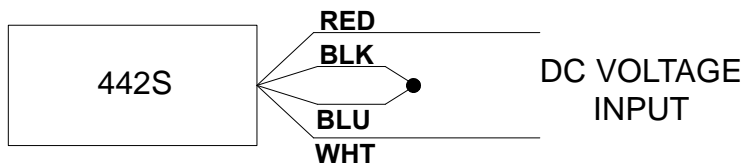


**Wiring Installation**

**Figure 1 - 12V Configuration**



**Figure 2 - 24V Configuration**



**Spike Suppressor Installation**

Install your suppressor across the input voltage wires as close to the solenoid as possible.

