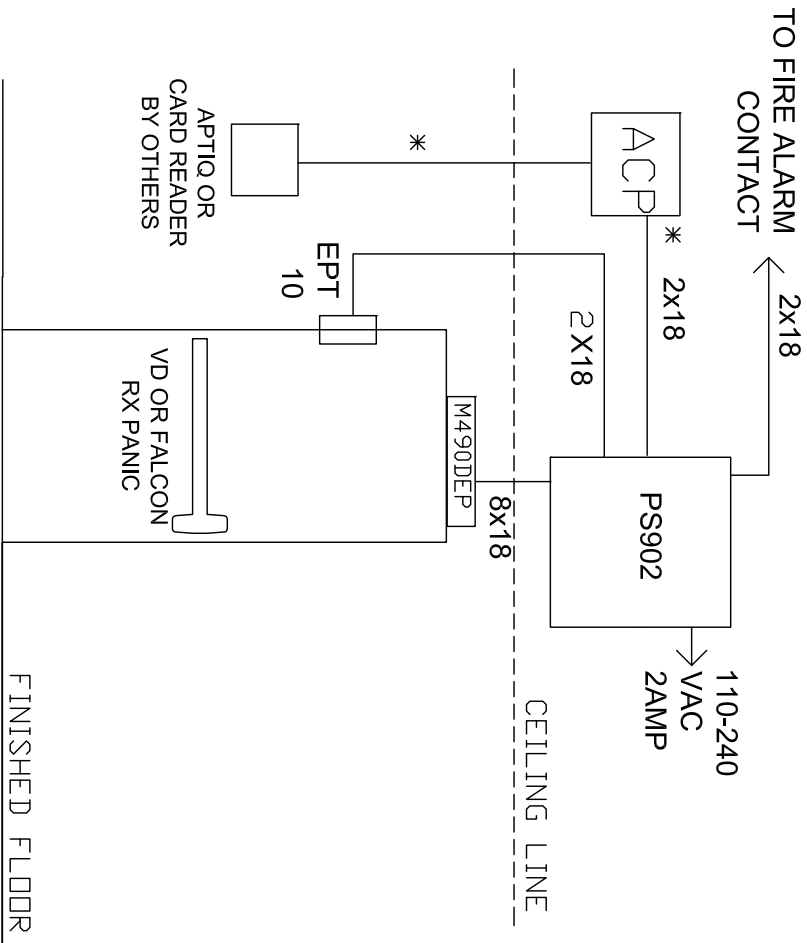


THIS DIAGRAM REPRESENTS A GENERIC CONFIGURATION. CUSTOM WIRING DIAGRAMS CAN BE ACQUIRED BY CONTACTING TECHNICAL SUPPORT.



NOTE:
* ADDITIONAL WIRING IS REQUIRED. SEE MANUFACTURER INSTALLATION INSTRUCTION

- NOTES:
- 1) ALL LOW VOLTAGE WIRING TO BE STANDARD MULTI-CONDUCTOR COLOR CODED WITHOUT SPLICES.
 - 2) WIRING TO CONFORM TO APPLICABLE NATIONAL, STATE AND LOCAL ELECTRICAL CODES.
 - 3) REFER TO SPECIFIC PRODUCT INSTALLATION INSTRUCTIONS FOR SPECIFIC WIRING REQUIREMENTS. OF PRODUCTS DETAILED IN THE HARDWARE SET ONLY.
 - 4) THIS DRAWING IS FOR GRAPHICAL REPRESENTATION THAT IS NOT SHOWN HERE. CONSULT PROVIDER FOR DETAILS.

HARDWARE USED:	
1 VD OR FALCON RX PANIC DEVICE	
1 EPT10 POWER TRANSFERS	
1 M490DEP MAG LOCK	
1 PS902 POWER SUPPLY	
1 APTIO OR CARD READER BY OTHERS WITH ACP	
FIRE ALARM CONTACT BY OTHERS	
TYPE	DELAYED EGRESS SINGLE

OPERATION:	
M490DEP MAG LOCK TO PROVIDE DELAYED EGRESS. PUSHING ON PANIC INITIATES 15 SECOND RELEASE COUNTDOWN.	
FIRE ALARM TO RELEASE DOORS IMMEDIATELY.	
INTERIOR APTIO OR CARD READER BY OTHERS TO RELEASE DOORS FOR UNAUTHORIZED EGRESS OR WILL RESET M490DEP FROM ALARM.	
IN THIS EXAMPLE ALL WIRING CONNECTIONS ARE MADE IN PS902 ENCLOSURE.	
DATE DRAWN	4-4-2013
REVISION DATE	4-4-2013
COPYRIGHT 2013	

TITLE:
M490DEP WITH RX PANIC, ACCESS CONTROL AND PS902

ALLEGION™

DRAWING TYPE:
RISER DIAGRAM

DWG NO.: 109498
DRAWN/CHECKED BY: B DOWE

REV: A

