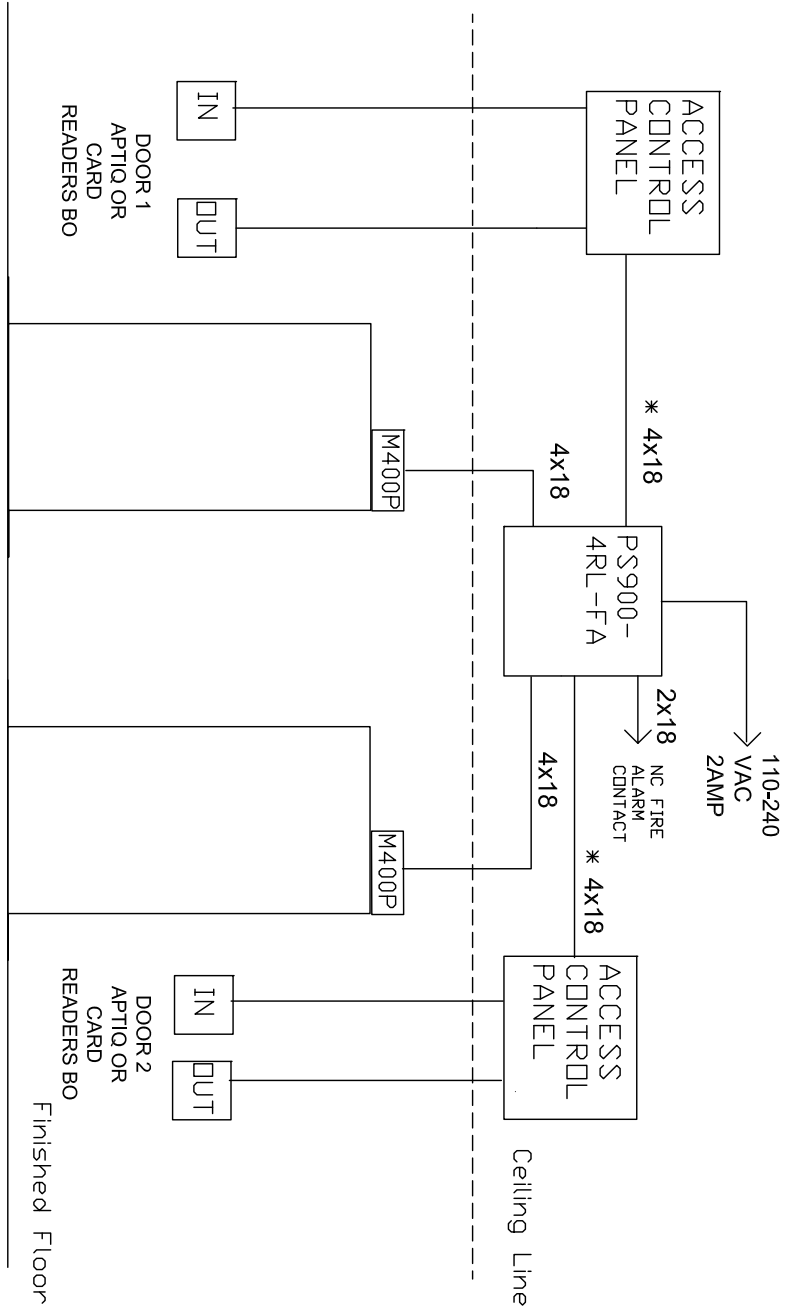


THIS DIAGRAM REPRESENTS A GENERIC CONFIGURATION. CUSTOM WIRING DIAGRAMS CAN BE ACQUIRED BY CONTACTING TECHNICAL SUPPORT.



NOTES:
 SET SW2 SWITCHES 1 ON AND 2 OFF TO CONFIG 900-4RL AS SI.
 SET SW1 SWITCHES AS REQUIRED FOR PARTICULAR INSTALLATION.
 * ADDITIONAL CONDUCTORS MAY BE REQUIRED. CONSULT MANUFACTURERS INSTALLATION INSTRUCTIONS FOR FURTHER DETAILS.
 CONFIRM HARDWARE AND OPERATION ACCEPTABLE TO LOCAL AHJ.

NOTES:
 1) ALL LOW VOLTAGE WIRING TO BE STANDARD MULTI-CONDUCTOR COLOR CODED WITHOUT SPLICES.
 2) WIRING TO CONFORM TO APPLICABLE NATIONAL, STATE AND LOCAL ELECTRICAL CODES.
 3) REFER TO SPECIFIC PRODUCT INSTALLATION INSTRUCTIONS FOR SPECIFIC WIRING REQUIREMENTS.
 4) THIS DRAWING IS FOR GRAPHICAL REPRESENTATION OF PRODUCTS DETAILED IN THE HARDWARE SET ONLY. THAT IS NOT SHOWN HERE. CONSULT PROVIDER FOR DETAILS.

HARDWARE USED:	
2 M400P MAG LOCKS	
4 APTIQ OR CARD READER BY OTHERS WITH ACP	
1 PS900-4RL-FA	
FIRE ALARM CONTACT BY OTHERS	
TYPE	
2 DOOR SECURITY INTERLOCK WITH ACCESS CONTROL	

OPERATION: BOTH DOORS NORMALLY LOCKED. CARD READER TO OPEN DOOR ONLY IF OTHER DOOR IS CLOSED AND LOCKED. NOTE: OPPOSITE DOOR WILL REMAIN LOCKED AS LONG AS OTHER DOOR IS UNLOCKED. FIRE ALARM TO RELEASE BOTH M400 MAG LOCKS. IN THIS EXAMPLE ALL WIRING CONNECTIONS ARE MADE IN THE PS900 ENCLOSURE.	
DATE DRAWN	3-21-13
REVISION DATE	3-21-13
copyright 2013	

TITLE: **ALLEGION™**

PS900-4RL-FA SECURITY INTERLOCK WITH M400P MAG LOCKS

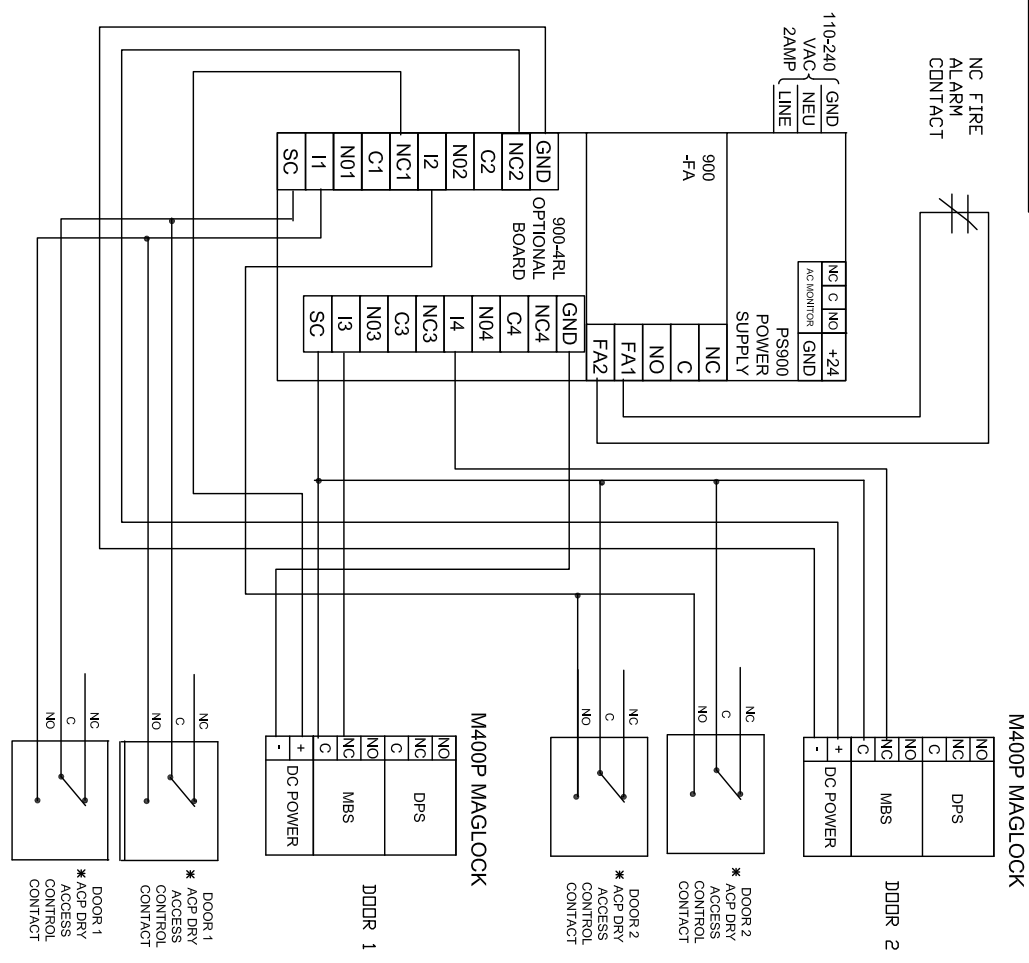
DRAWING TYPE: RISER DIAGRAM

DWG NO: 109442

DRAWN/CHECKED BY: B DOVE/B DYE

REV: A

THIS DIAGRAM REPRESENTS A GENERIC CONFIGURATION. CUSTOM WIRING DIAGRAMS CAN BE ACQUIRED BY CONTACTING TECHNICAL SUPPORT.



NOTES:
 SET SW2 SWITCHES 1 ON AND 2 OFF TO CONFIG 900-4RL AS SI.
 SET SW1 SWITCHES AS REQUIRED FOR PARTICULAR INSTALLATION.
 * ADDITIONAL CONDUCTORS MAY BE REQUIRED. CONSULT MANUFACTURERS INSTALLATION INSTRUCTIONS FOR FURTHER DETAILS.
 CONFIRM HARDWARE AND OPERATION ACCEPTABLE TO LOCAL AHJ.

NOTES:
 1) ALL LOW VOLTAGE WIRING TO BE STANDARD MULTI-CONDUCTOR COLOR CODED WITHOUT SPLICES.
 2) WIRING TO CONFORM TO APPLICABLE NATIONAL, STATE AND LOCAL ELECTRICAL CODES.
 3) REFER TO SPECIFIC PRODUCT INSTALLATION INSTRUCTIONS FOR SPECIFIC WIRING REQUIREMENTS.
 4) THIS DRAWING IS FOR GRAPHICAL REPRESENTATION OF PRODUCTS DETAILED IN THE HARDWARE SET ONLY. THAT IS NOT SHOWN HERE. CONSULT PROVIDER FOR DETAILS.

HARDWARE USED: 2 M400P MAG LOCKS 4 APTIQ DR CARD READER BY OTHERS WITH ACP 1 PS900-4RL-FA FIRE ALARM CONTACT BY OTHERS	TYPE 2 DOOR SECURITY INTERLOCK WITH ACCESS CONTROL
--	---

OPERATION:
 BOTH DOORS NORMALLY LOCKED. CARD READER TO OPEN DOOR ONLY IF OTHER DOOR IS CLOSED AND LOCKED.
 NOTE: OPPOSITE DOOR WILL REMAIN LOCKED AS LONG AS OTHER DOOR IS UNLOCKED.
 FIRE ALARM TO RELEASE BOTH M490 MAG LOCKS.
 IN THIS EXAMPLE ALL WIRING CONNECTIONS ARE MADE IN THE PS900 ENCLOSURE.

ALLEGION™

TITLE:
PS900-4RL-FA SECURITY INTERLOCK WITH M400P MAG LOCKS

DRAWING TYPE:
RISER DIAGRAM

DWG NO.:
109442

DRAWN/CHECKED BY:
B DOVER/B DYE

REV:
A

DATE DRAWN: 3-21-13
 REVISION DATE: 3-21-13
 copyright 2013