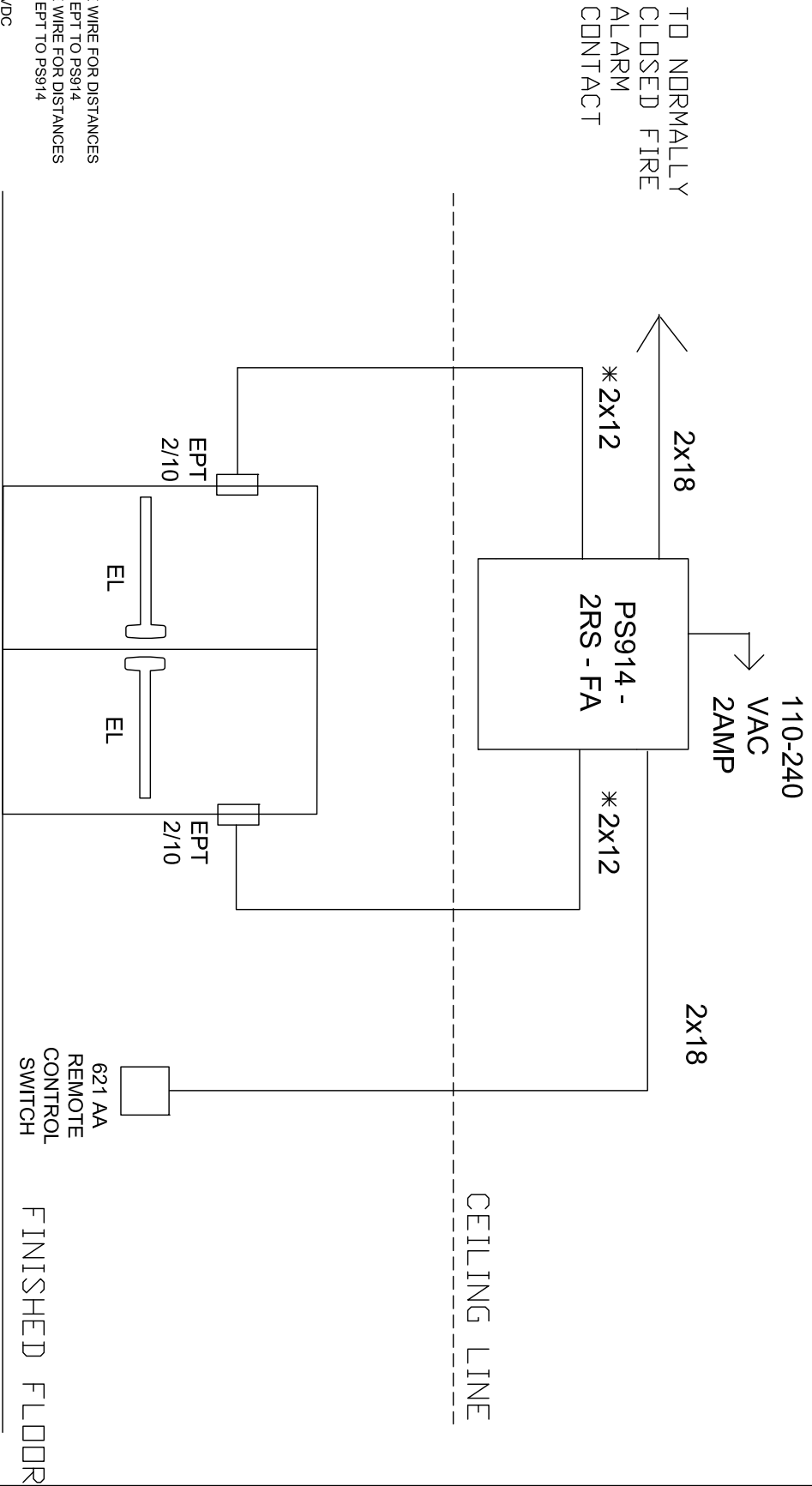


THIS DIAGRAM REPRESENTS A GENERIC CONFIGURATION. CUSTOM WIRING DIAGRAMS CAN BE ACQUIRED BY CONTACTING TECHNICAL SUPPORT.



NOTE:
 * USE #12 GAUGE WIRE FOR DISTANCES UP TO 200' FROM EPT TO PS914
 * USE #14 GAUGE WIRE FOR DISTANCES UP TO 100' FROM EPT TO PS914
 SET PS914 TO 24VDC

NOTES:
 1) ALL LOW VOLTAGE WIRING TO BE STANDARD MULTI-CONDUCTOR COLOR CODED WITHOUT SPLICES.
 2) WIRING TO CONFORM TO APPLICABLE NATIONAL, STATE AND LOCAL ELECTRICAL CODES.
 3) REFER TO SPECIFIC PRODUCT INSTALLATION INSTRUCTIONS FOR SPECIFIC WIRING REQUIREMENTS.
 4) THIS DRAWING IS FOR GRAPHICAL REPRESENTATION OF PRODUCTS DETAILED IN THE HARDWARE SET ONLY. THAT IS NOT SHOWN HERE. CONSULT PROVIDER FOR DETAILS.

HARDWARE USED: 2 VON DUPRIN DR FALCON FIRE RATED EL PANIC DEVICES 1 PS914-2RS-FA POWER SUPPLY 2 EPT POWER TRANSFERS 1 621 AA REMOTE CONTROL PUSH BUTTON 1 FIRE ALARM CONTACT	TYPE REMOTE 621AA PB WITH PAIR FIRE RATED EL DEVICES
---	--

OPERATION: REMOTE CONTROL 621 AA PB TO SIGNAL PAIR FIRE RATED EL ELECTRIC PANIC BAR TO RETRACT FOR ENTRY. RELEASING 621AA PUSH BUTTON OR FIRE ALARM WILL CAUSE EL LATCHES TO EXTEND. IN THIS EXAMPLE ALL WIRING CONNECTIONS ARE MADE IN PS914 ENCLOSURE.	DATE DRAWN: 5-3-13 COPYRIGHT 2013	REVISION DATE: 5-3-13
---	--------------------------------------	-----------------------

ALLEGION™

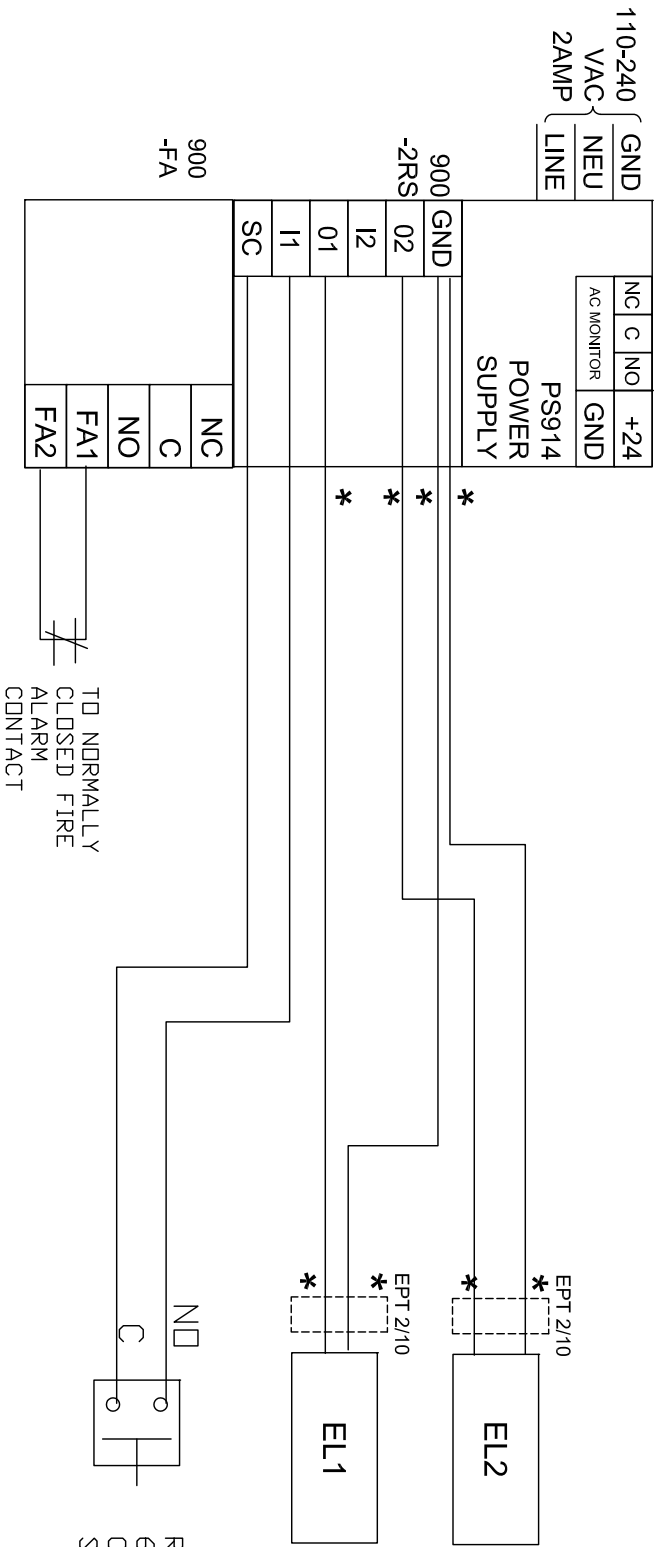
TITLE: REMOTE 621AA PB WITH PAIR FIRE RATED EL PANICS

DRAWING TYPE: RISER DIAGRAM

DWG NO.: 109553
 DRAWING CHECKED BY: B DOVE

REV: A

THIS DIAGRAM REPRESENTS A GENERIC CONFIGURATION. CUSTOM WIRING DIAGRAMS CAN BE ACQUIRED BY CONTACTING TECHNICAL SUPPORT.



NOTE:
 * USE #12 GAUGE WIRE FOR DISTANCES UP TO 200' FROM EPT TO PS914
 * USE #14 GAUGE WIRE FOR DISTANCES UP TO 100' FROM EPT TO PS914
 SET PS914 TO 24VDC

NOTES:
 1) ALL LOW VOLTAGE WIRING TO BE STANDARD MULTI-CONDUCTOR COLOR CODED WITHOUT SPLICES.
 2) WIRING TO CONFORM TO APPLICABLE NATIONAL, STATE AND LOCAL ELECTRICAL CODES.
 3) REFER TO SPECIFIC PRODUCT INSTALLATION INSTRUCTIONS FOR SPECIFIC WIRING REQUIREMENTS.
 4) THIS DRAWING IS FOR GRAPHICAL REPRESENTATION OF PRODUCTS DETAILED IN THE HARDWARE SET ONLY. THAT IS NOT SHOWN HERE. CONSULT PROVIDER FOR DETAILS.

HARDWARE USED:
 2 VON DUREIN DR FALCON FIRE RATED EL PANIC DEVICES
 1 PS914-2RS-FA POWER SUPPLY
 2 EPT POWER TRANSFERS
 621 AA REMOTE CONTROL SWITCH
 1 FIRE ALARM CONTACT
 TYPE REMOTE 621AA PB WITH PAIR FIRE RATED EL DEVICES

OPERATION:
 REMOTE CONTROL 621AA PB TO SIGNAL PAIR FIRE RATED ELECTRIC PANIC BARS TO RETRACT FOR ENTRY.
 RELEASING 621AA PUSH BUTTON OR FIRE ALARM TO CAUSE EL LATCHES TO EXTEND.
 IN THIS EXAMPLE ALL WIRING CONNECTIONS ARE MADE IN PS914 ENCLOSURE.

DATE DRAWN: 5-3-13
 REVISION DATE: 5-3-13
 copyright 2013

ALLEGION™

TITLE: REMOTE 621AA PB WITH PAIR FIRE RATED EL PANICS

DRAWING TYPE: WIRING DIAGRAM

DWG NO.: 109553
 DRAWING CHECKED BY: B DOVE

REV: A