



941030-00

Removable Mullion

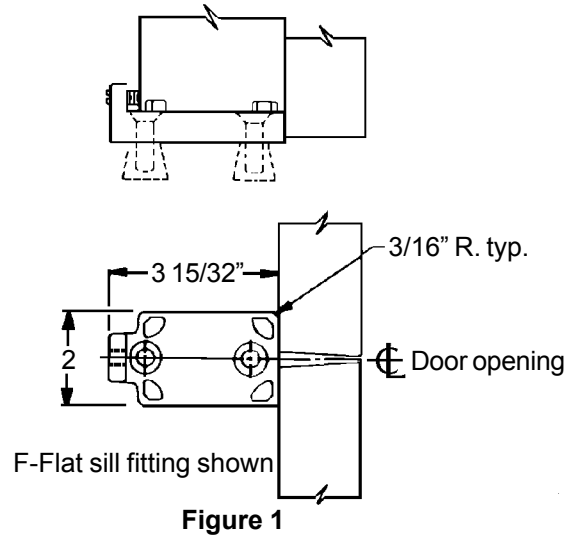
1654

VON DUPRIN®

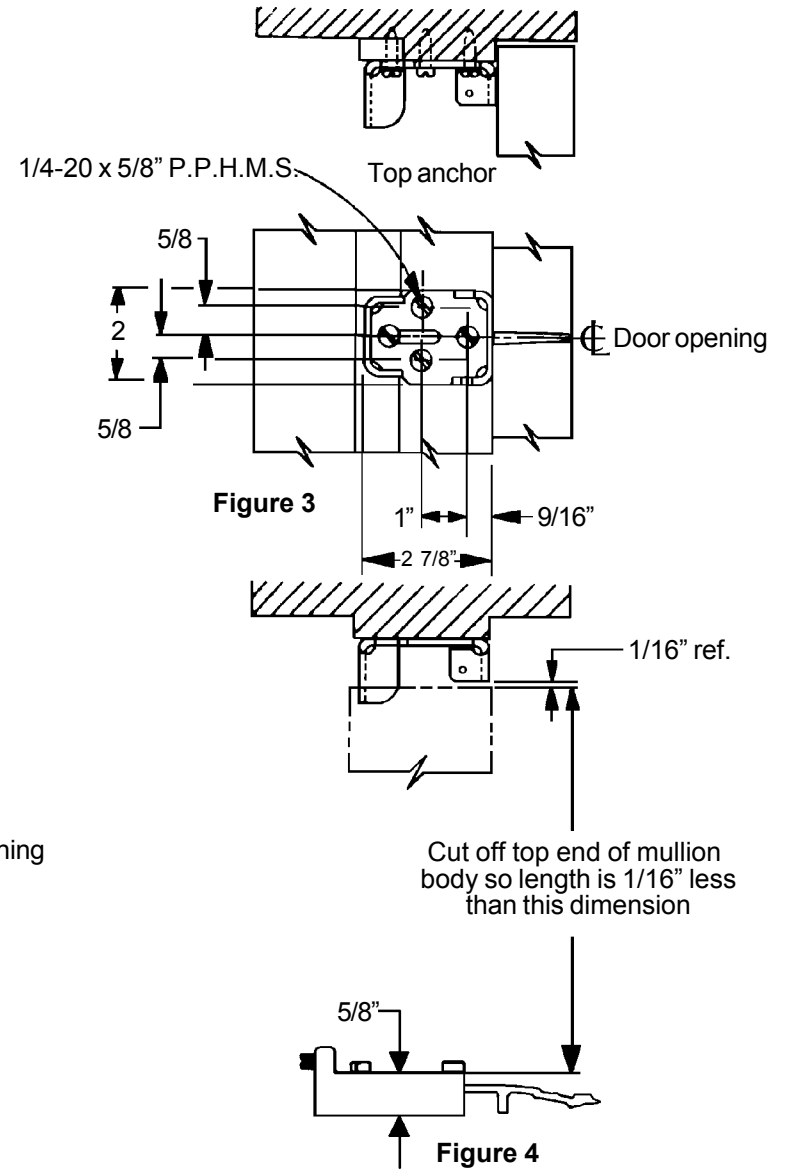
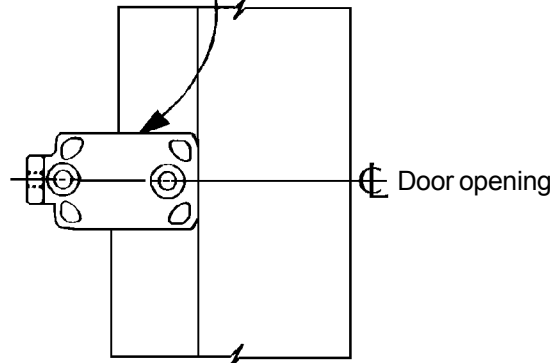
Installation Instructions

Note: Use lock washers on top and bottom mullion fittings except for counter sunk screws.

1. Line up bottom mullion fitting with center of door opening and flush with closed doors (Figure 1 or 2) and install.
2. Line up top mullion fitting with center of door opening and flush with closed doors as shown in Figure 3 and install. See Figures 5, 6, and 7 (reverse side) for optional frame conditions.
3. Cut mullion body to length as shown in Figure 4.
4. Insert mullion in top fitting and slide bottom of mullion into place. See Figure 8 (reverse side).
5. Nest mullion into bottom fitting and secure set screw.
6. Install top mullion clamp over mullion and fitting with mounting screws. See Figure 8 (reverse side).



If threshold is used, it must be cut to fit around the flat sill fitting



Customer Service

1-877-671-7011

www.allegion.com/us



© Allegion 2014
Printed in U.S.A.
941030-00 Rev. 01/14-b

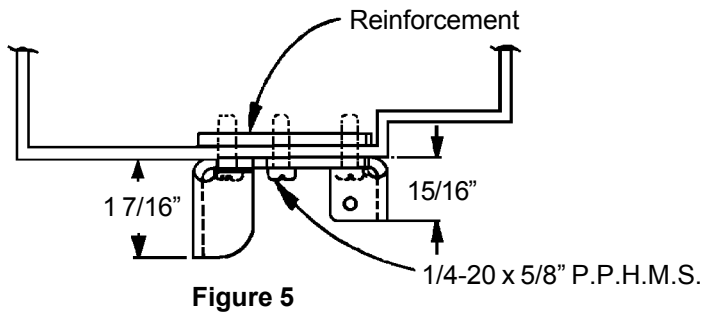


Figure 5

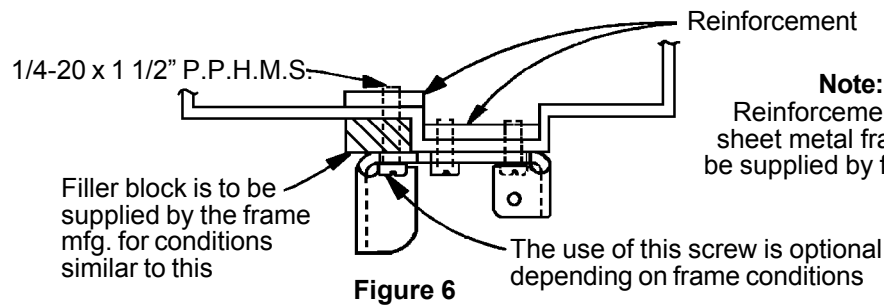
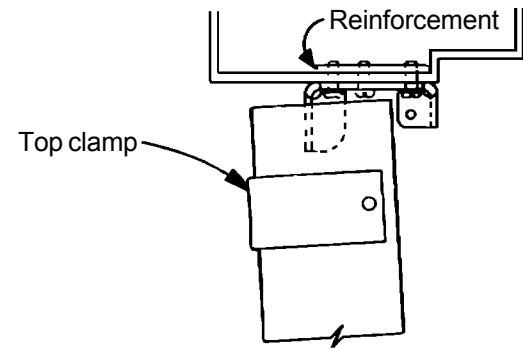


Figure 6

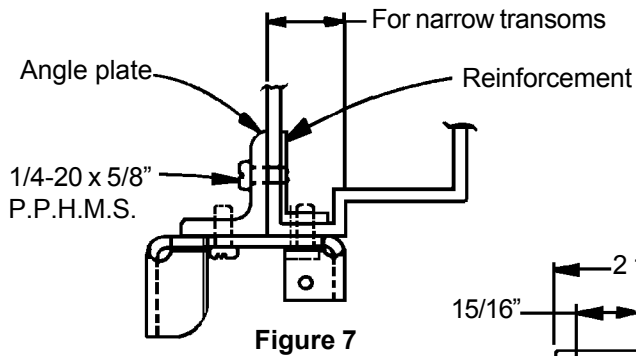
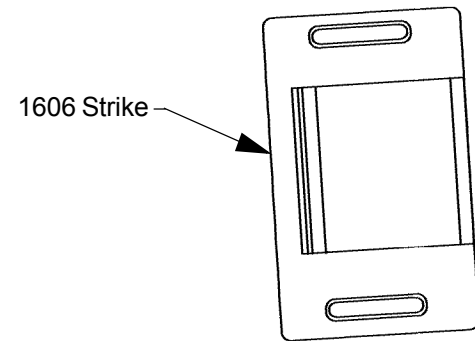


Figure 7

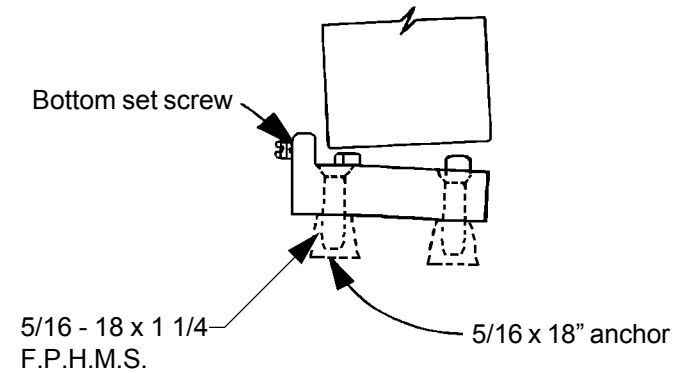
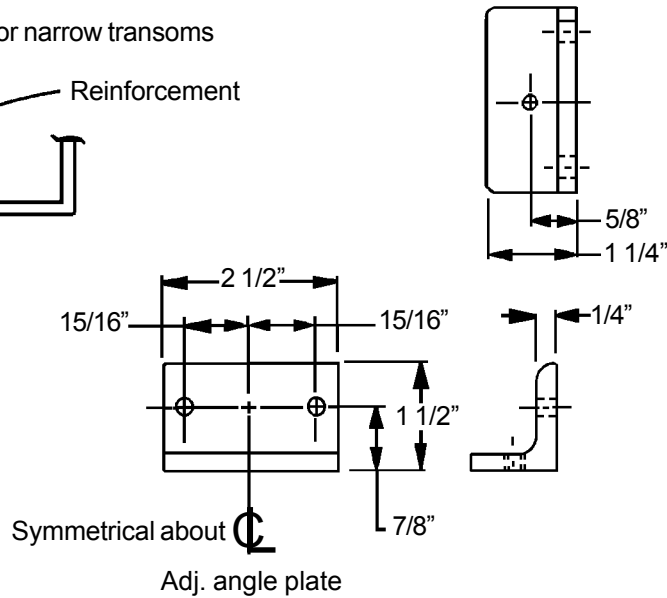


Figure 8