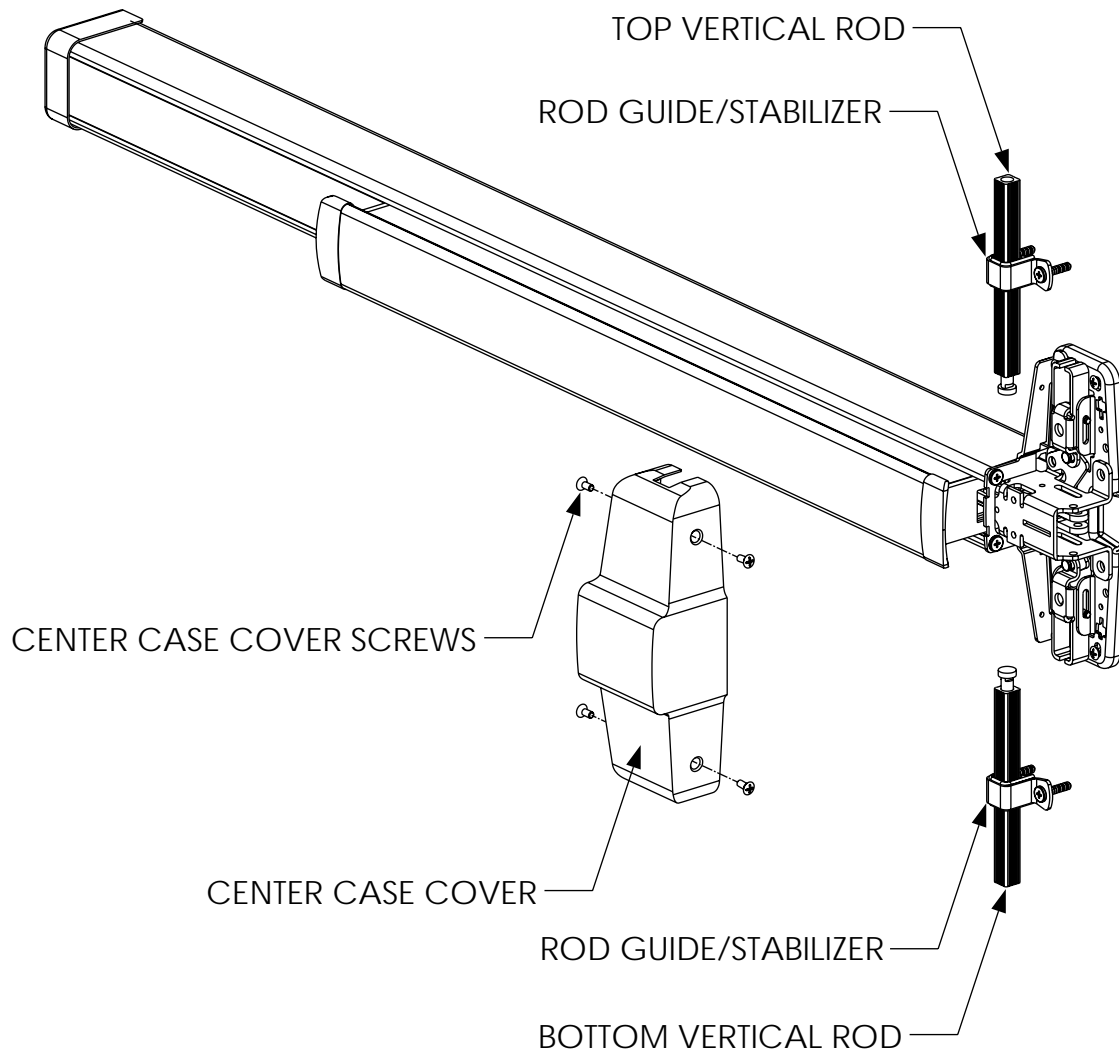


INSTALLATION INSTRUCTIONS

2227, 3327, 3527, 9827, & 9927 SERIES DEVICE VERTICAL ROD GUIDE/STABILIZER RETROKIT



RK11

1. REMOVE CENTER CASE COVER SCREWS (4) AND REMOVE CENTER CASE COVER.
2. REMOVE THE VERTICAL ROD(S) FROM THE CENTER CASE.
3. SLIDE ROD GUIDE/STABILIZER(S) ONTO THE VERTICAL ROD(S) AND REPLACE VERTICAL ROD(S) ON THE CENTER CASE.
4. MOUNT ROD GUIDE/STABILIZER(S) TO DOOR USING SCREWS PROVIDED.
5. REASSEMBLE DEVICE.

VON DUPRIN

Part of worldwide Ingersoll-Rand