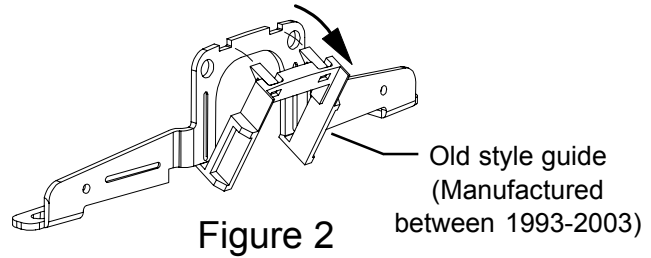
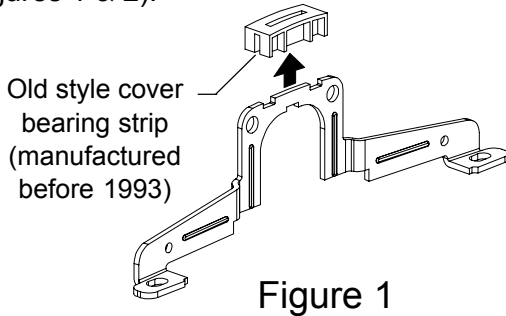




1. Remove mechanism case and pushbar from device (Figure 3).
2. On 98/99 only, if old style cover bearing strip or guide is present remove it from cover bracket (Figures 1 & 2).



3. Slide a plastic guide on each end of new pushbar (Figure 3).
4. Place new pushbar on baseplate assembly (Figure 3).
5. Slide mechanism case onto baseplate assembly and capture plastic pushbar guides in mechanism case as shown (Figure 3).
6. Reassemble the rest of the exit device as it was taken apart.

