



24253437

3349 INS-2, 3349 INS-4 9949 INS-2, 9949 INS-4

VON DUPRIN®

Insulclad Mounting Kit

Installation Instructions

① The hardware included in this kit replaces what was shipped with the device. Refer to instruction 23970726 for installation of 33/3549A, and to 23970734 for installation of 98/9949.

3349 INS-2

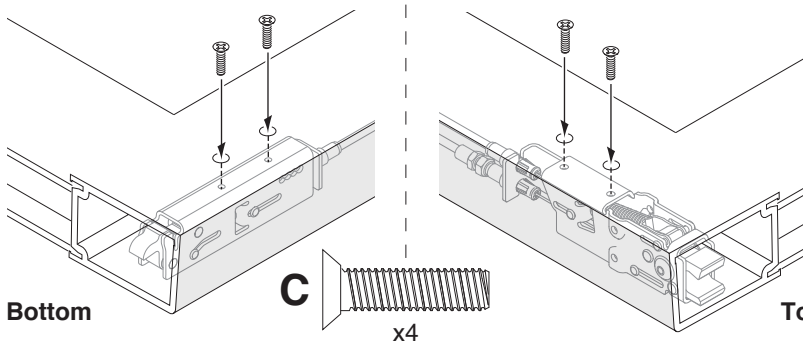
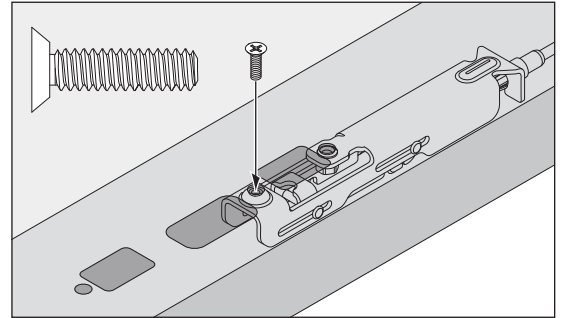
Kit includes

- (1) 33/35A INS-2 lift finger - "A"
- (1) 3/4" length lower center slide screw - "B"
- (4) 3/4" length latch screws - "C"



A

B



3349 INS-4

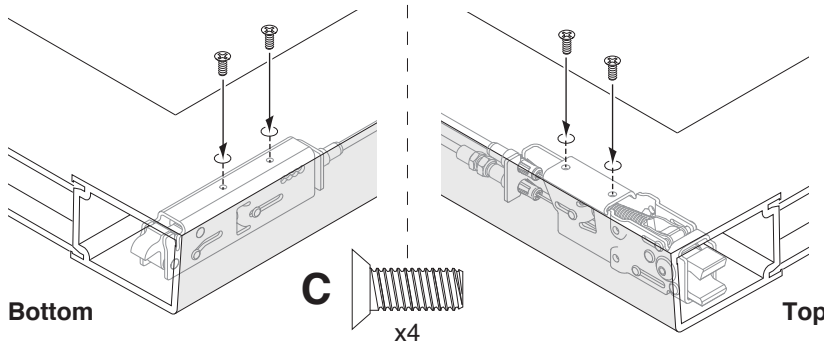
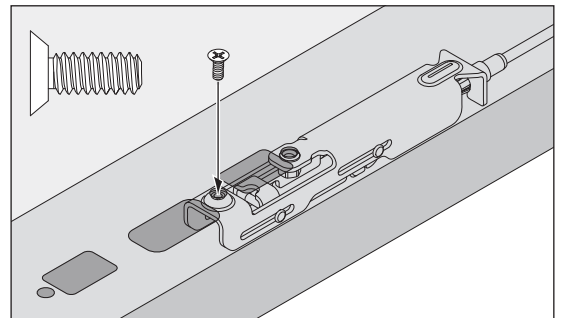
Kit includes

- (1) 33/35A INS-4 lift finger - "A"
- (1) 1/2" length lower center slide screw - "B"
- (4) 1/2" length latch screws - "C"



A

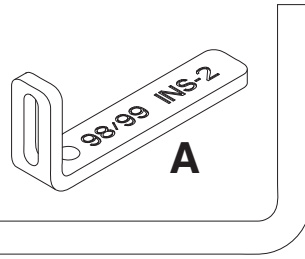
B



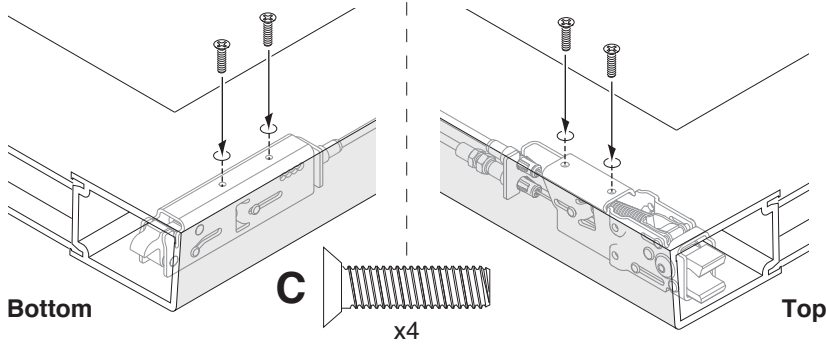
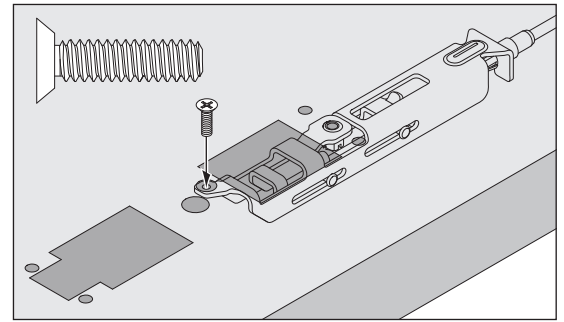
9949 INS-2

Kit includes

- (1) 98/99 INS-2 lift finger - "A"
- (1) 3/4" length lower center slide screw - "B"
- (4) 3/4" length latch screws - "C"



B



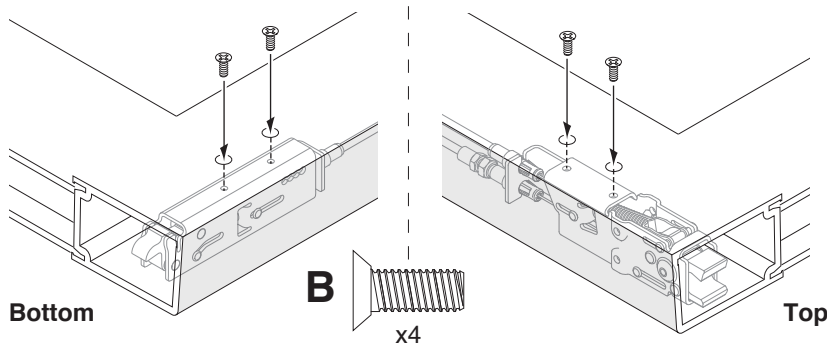
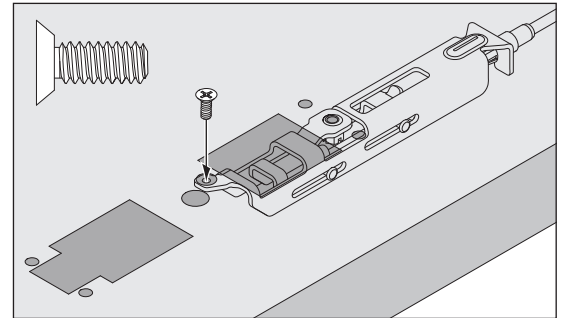
9949 INS-4

Kit includes

- (1) 1/2" length lower center slide screw - "A"
- (4) 1/2" length latch screws - "B"

This kit uses the standard lift finger that was included with the device

A



Customer Service

1-877-671-7011 www.allegion.com/us



© Allegion 2014
Printed in U.S.A.
24253437 Rev. 01/14-b