



941127-00

375-L, 375-L-BE

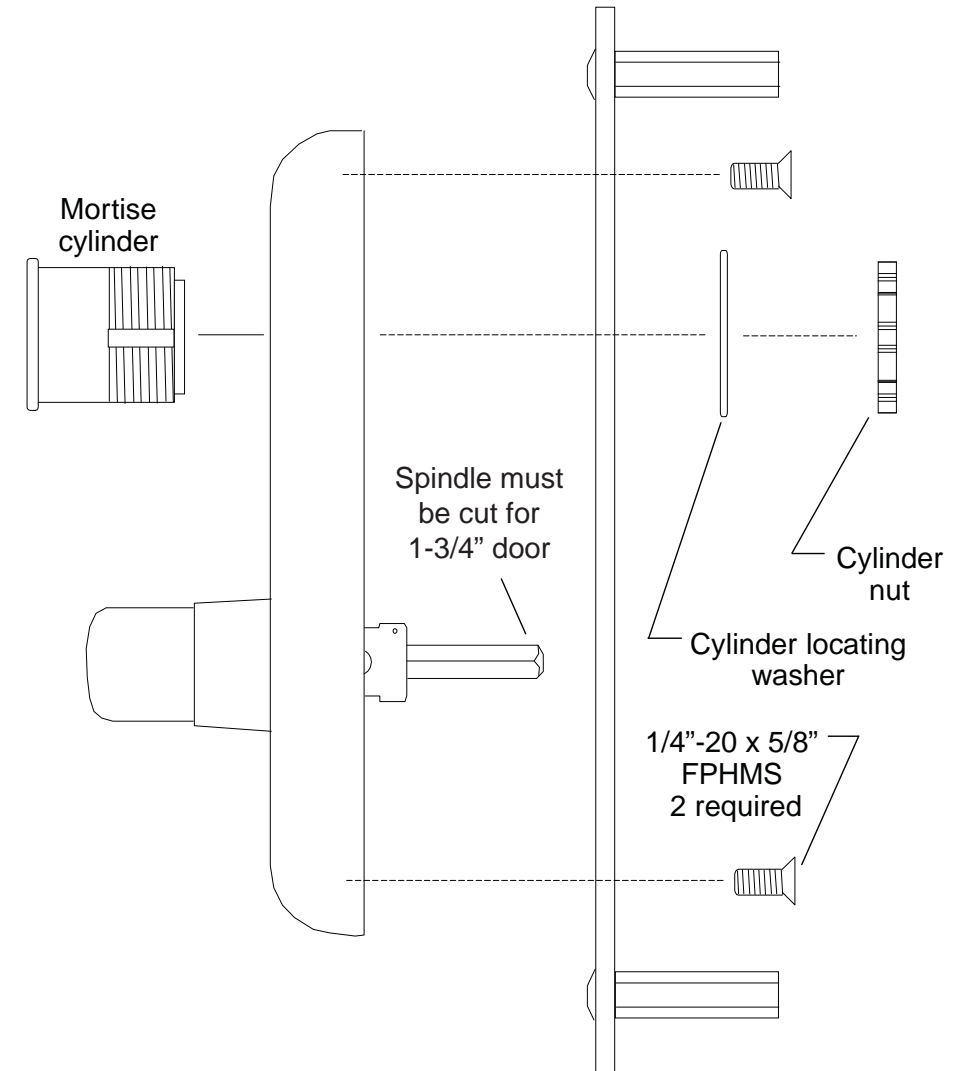
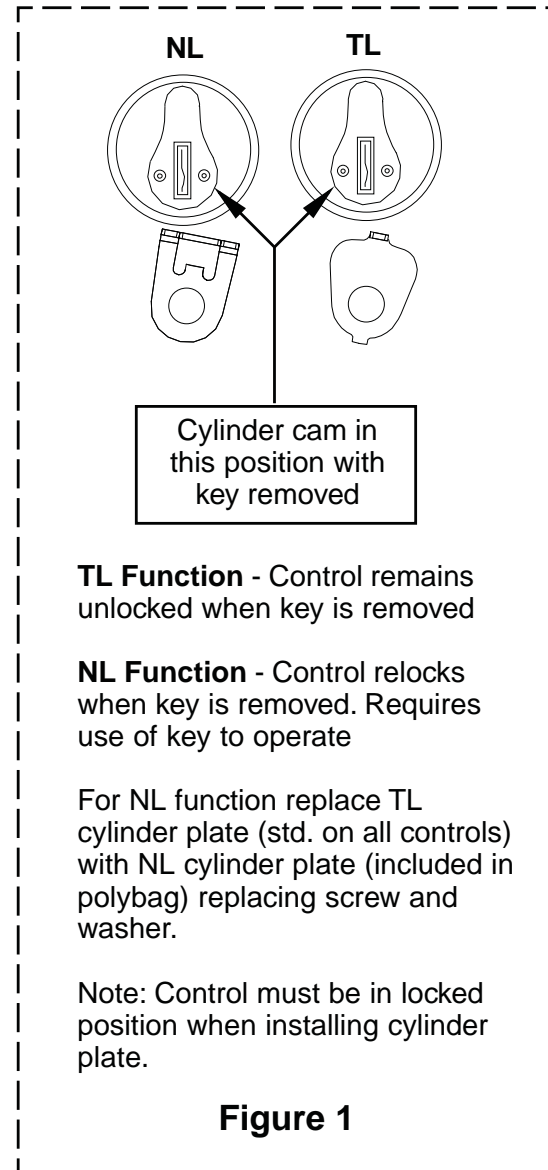
VON DUPRIN®

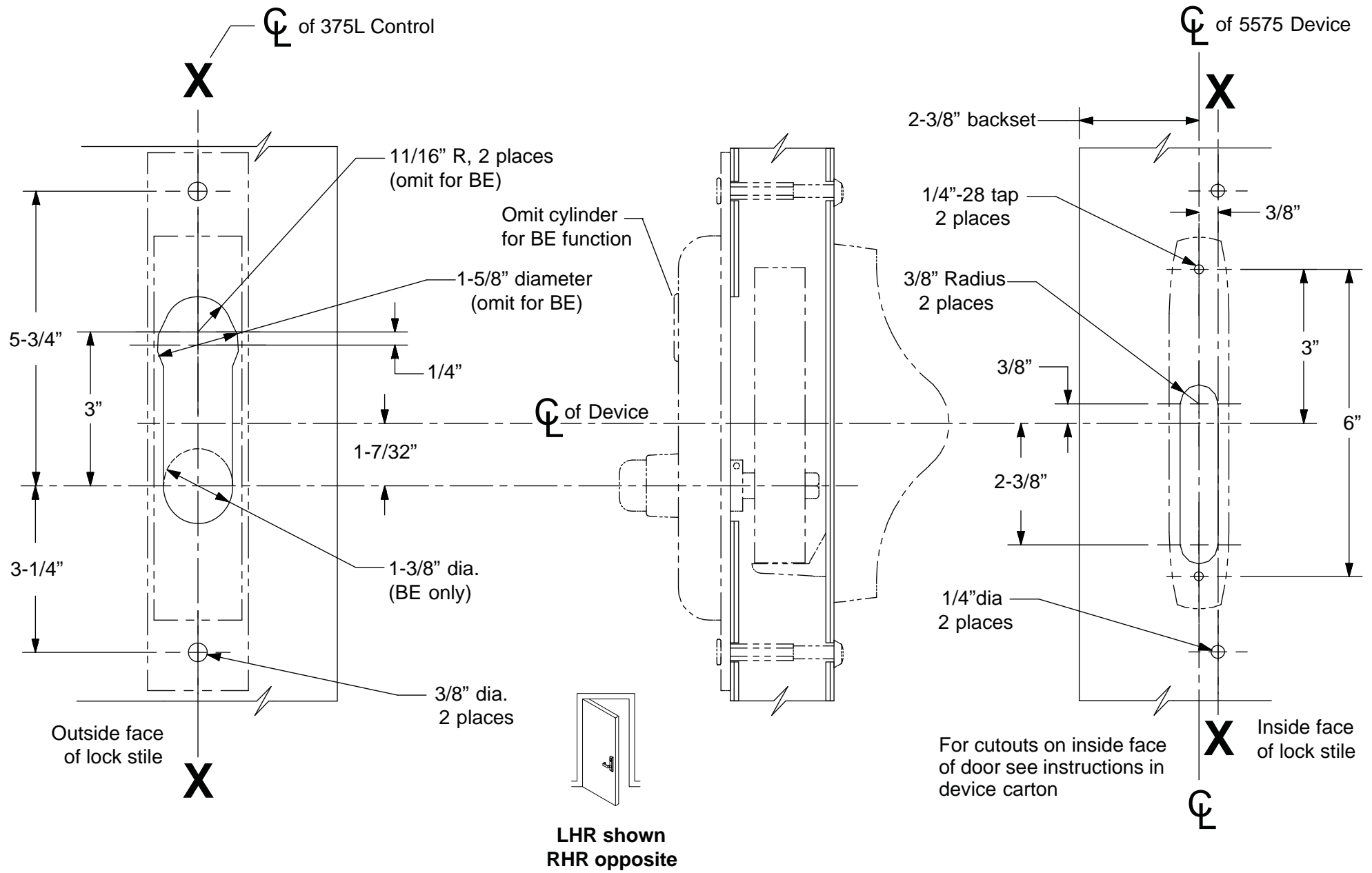
Control for 5575 & 5575-F Exit Device

Installation Instructions

INSTALLATION INSTRUCTIONS

1. Prepare door for exit device. See exit device instructions for locations of holes, backset (line X-X), and center lines.
 2. Prepare door for control:
 - a. Transfer line X-X from inside (exit device side) of door to outside (control side) of door. Use extra care if edge of door is beveled. Be sure line X-X is parallel to edge of door.
 - b. Locate and prepare holes as indicated on back of sheet.
 3. Install cylinder into control if required (Figures 1 & 2). Insure cylinder cam is set for required function and replace if necessary.
- ① **Note: Mortise lock or device must be in unlocked position before installation. This control requires 1-1/4" long mortise cylinder. Cylinder collar must not be used.**
4. Install control.
 5. Apply device and test key, control, and device action.





Customer Service
 1-877-671-7011 www.allegion.com/us

