



921043-00

Trim for 33 series Rim & Vertical Exit Devices

386DT/NL

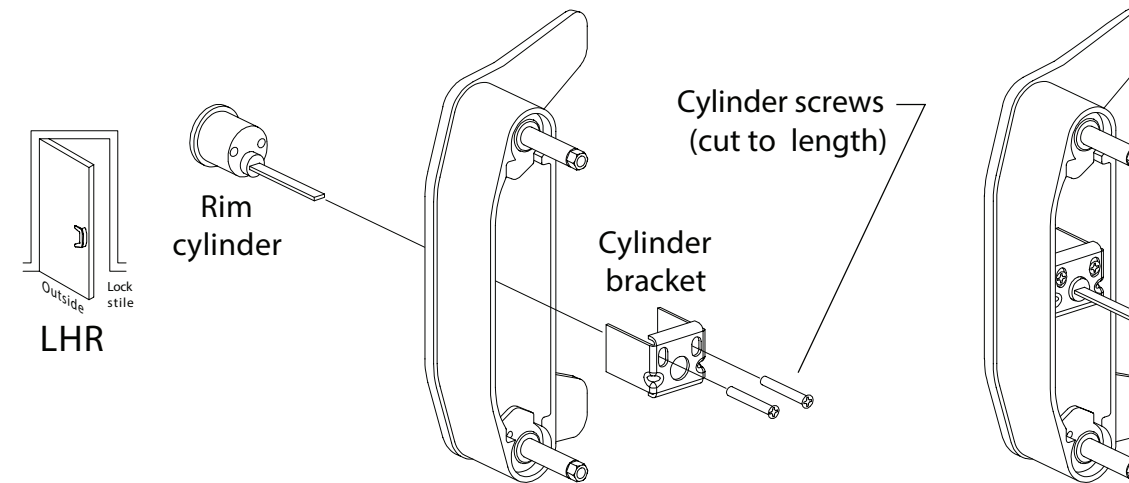
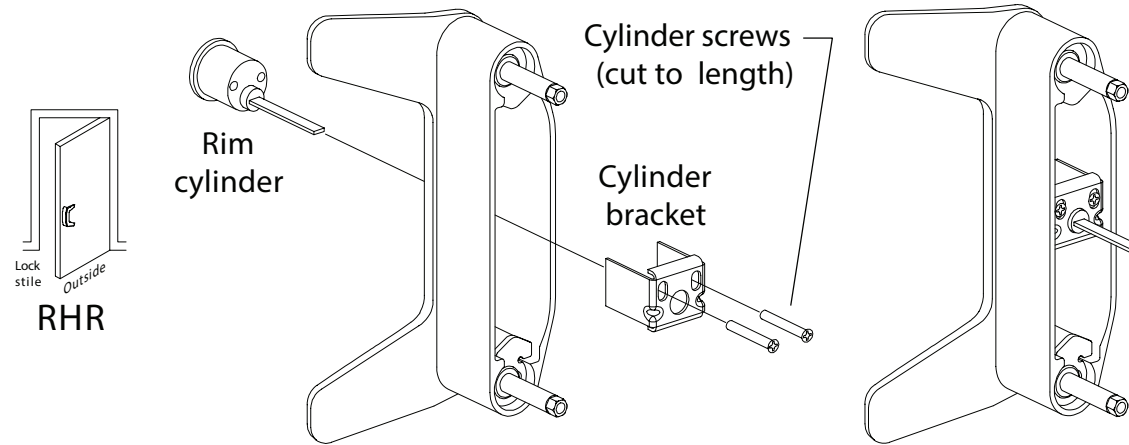
VON DUPRIN®

Installation Instructions

INSTALLATION INSTRUCTIONS

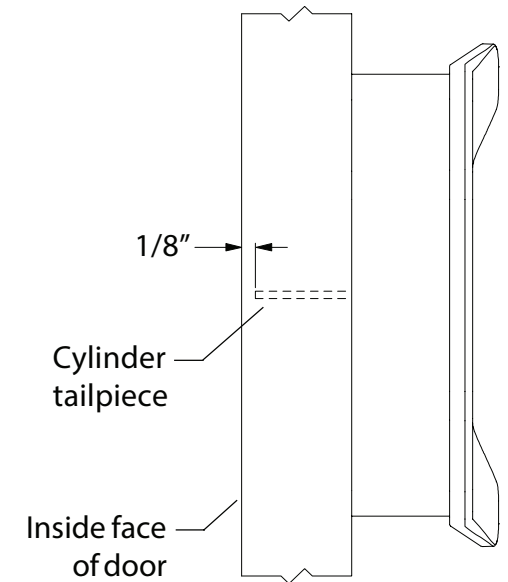
1. Prepare door for exit device. See exit device instructions for holes, line X-X, and center lines.
2. Prepare door for trim:
 - A. Transfer line X-X from inside (exit device side) of door to outside (trim side) of door. Use extra care if edge of door is beveled. Be sure line X-X is parallel to edge of door.
 - B. Locate and prepare holes as shown on other side.
3. Prepare trim:
 - A. Install cylinder (386NL trim only).
 - B. If necessary, adjust cylinder tailpiece length (386NL trim only).
4. Apply exit device and trim.

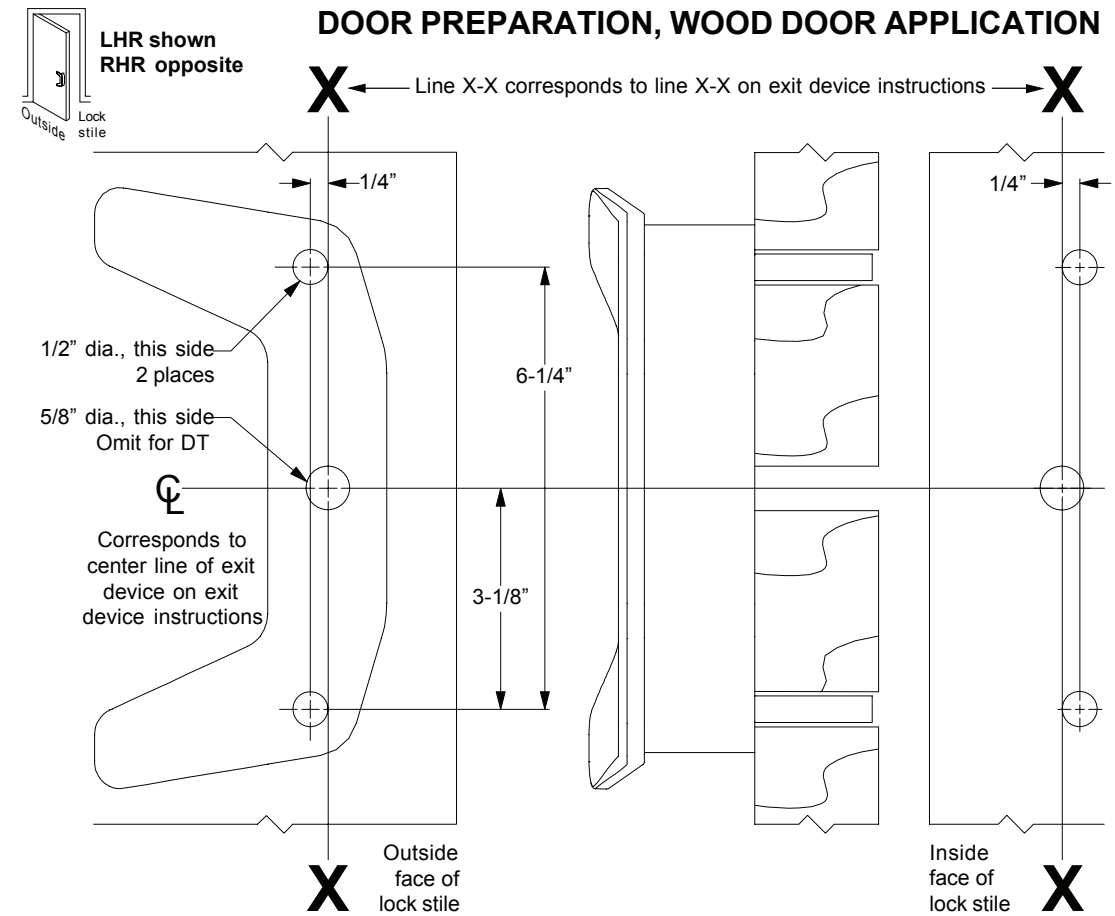
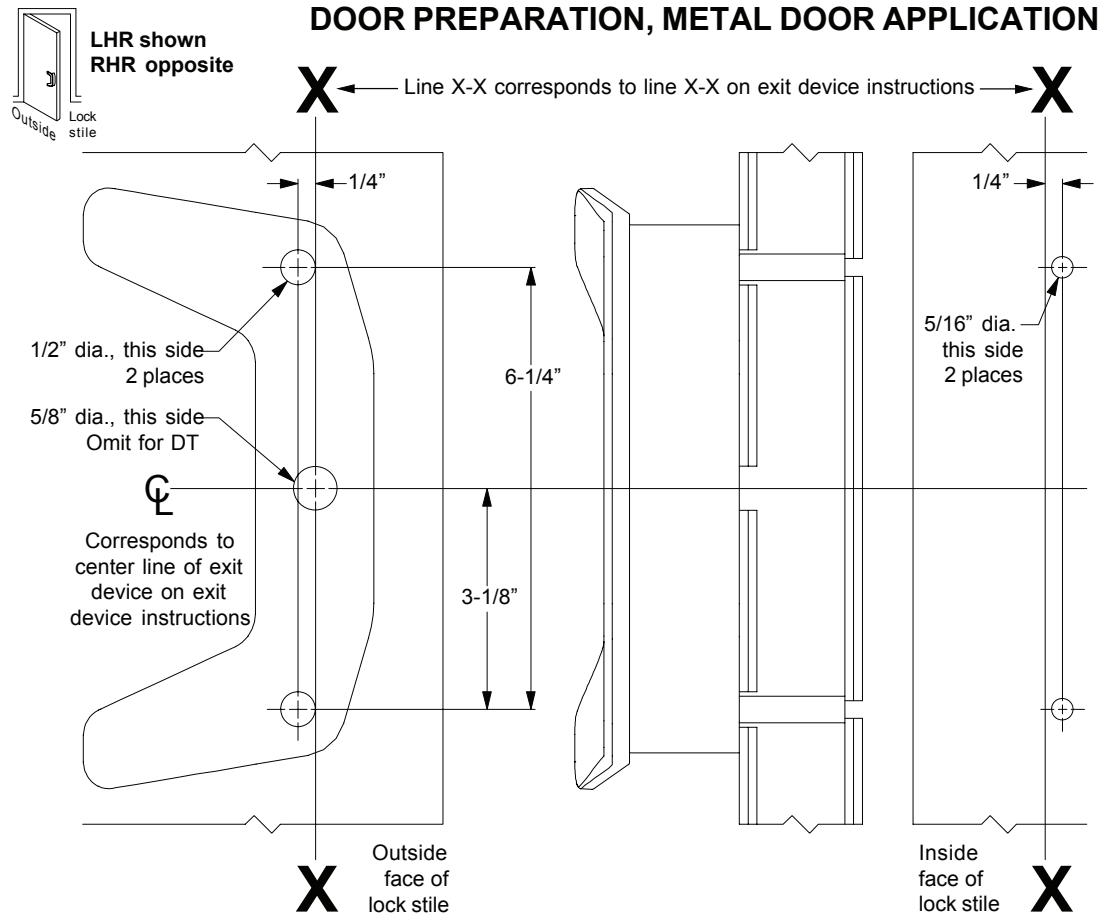
TO INSTALL CYLINDER



TO ADJUST TAILPIECE LENGTH

Cut cylinder tailpiece as shown.





Device Application Schedule		
	386N	386-DT
33A/35A Rim Device	●	●
3327A/3527A Vertical Rod Device	●	●
3347A/3547A Vertical Rod Device	●	●
3348A/3548A Vertical Rod Device	●	●
3327A-F/3527A-F Vertical Rod Device	●	
3347A-F/3547A-F Vertical Rod Device	●	
3348A-F/3548A-F Vertical Rod Device	●	

For cutouts on inside face of door, see exit device instructions.

Customer Service

1-877-671-7011 www.allegion.com/us

