



941035-00

Disconnect Mullions

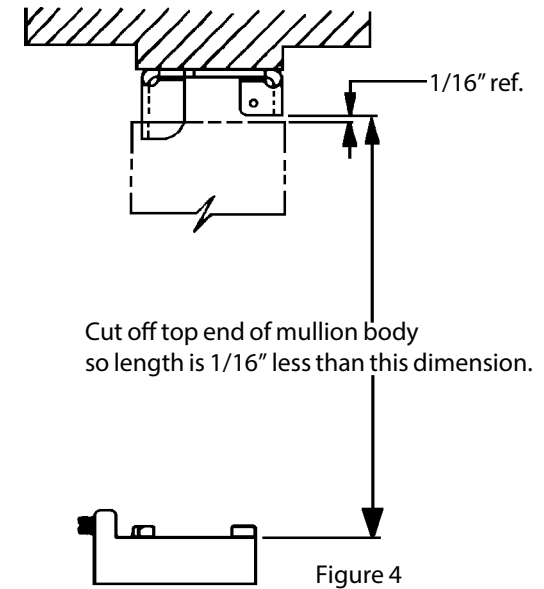
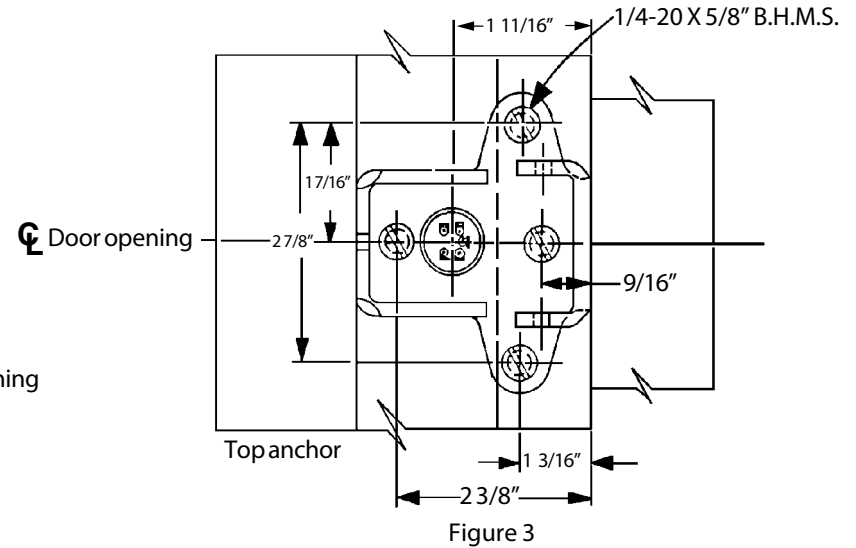
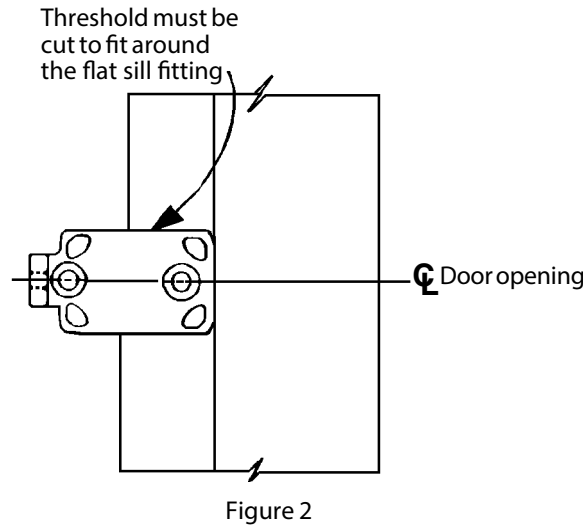
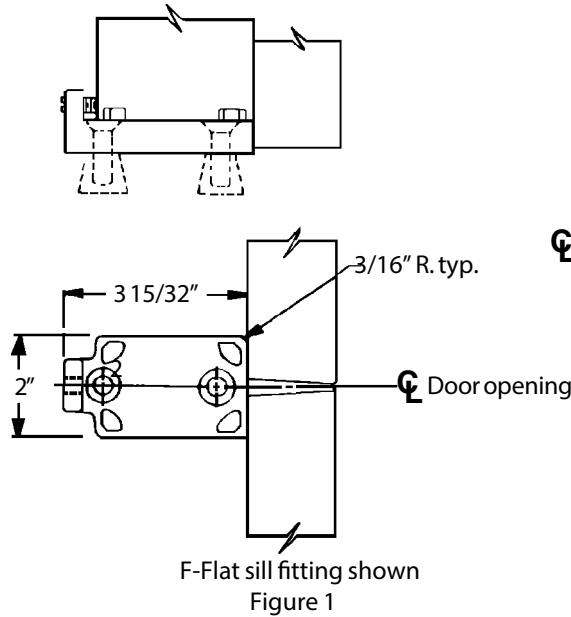
4754 & 4854

VON DUPRIN

Installation Instructions

Note: Use lock washers on top and bottom mullion fittings except for counter sunk screws.

1. Line up and install bottom mullion fitting with center of door opening and flush with closed doors (Figure 1 or 2).
2. Wire top mullion fitting and mullion. Test assembly. See wiring diagram opposite side of sheet.
3. Line up and install top mullion fitting with center of door opening and flush with closed doors. See Figure 5 (reverse side) for optional frame conditions.
4. Cut mullion body to length as shown in Figure 6.
Note: Do not cut mullion cable.
5. Insert mullion in top fitting and slide bottom of mullion into place. See Figure 6 (reverse side).
6. Nest mullion into bottom fitting and secure set screw.
7. Install top mullion clamp over mullion and fitting with mounting screws. See Figure 6 (reverse side).
8. Adjust strikes for 1/32 clearance between latch bolt and strike. See Figure 6 (reverse side).



Customer Service
1-877-671-7011 www.allegion.com/us



© Allegion 2014
Printed in U.S.A.
941035-00 Rev. 01/14-b

