



941033-00

Removable Mullion

Installation Instructions

Note: Use lock washers on top and bottom mullion fittings except for counter sunk screws.

- 1 Line up bottom mullion fitting with center of door opening and flush with closed doors (Figure 1 or 2) and install.
- 2 Line up top mullion fitting with center of door opening and flush with closed doors as shown in Figure 3 and install. See Figures 5, 6, and 7 (reverse side) for optional frame conditions.
- 3 Cut mullion body to length as shown in Figure 4.
- 4 Insert mullion in top fitting and slide bottom of mullion into place. See Figure 8 (reverse side).
- 5 Nest mullion into bottom fitting and secure set screw.
- 6 Install top mullion clamp over mullion and fitting with mounting screws. See Figure 8 (reverse side).
- 7 Adjust strikes for 1/32 clearance between latch bolt and strike. See Figure 8 (reverse side).

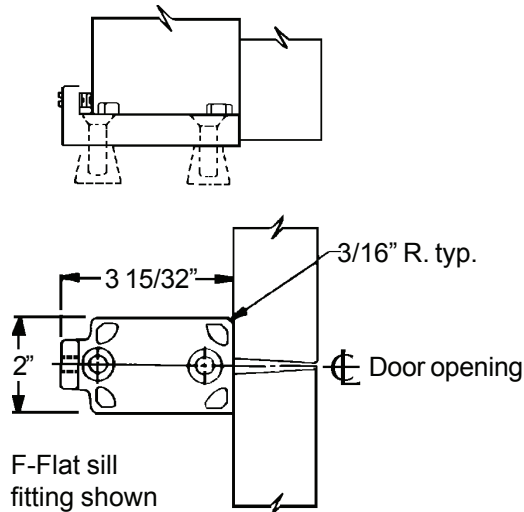


Figure 1

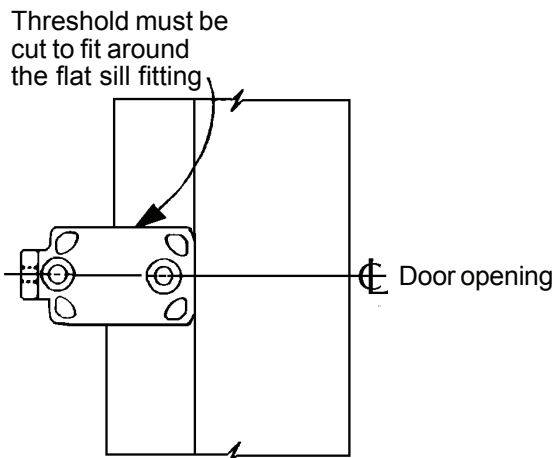


Figure 2

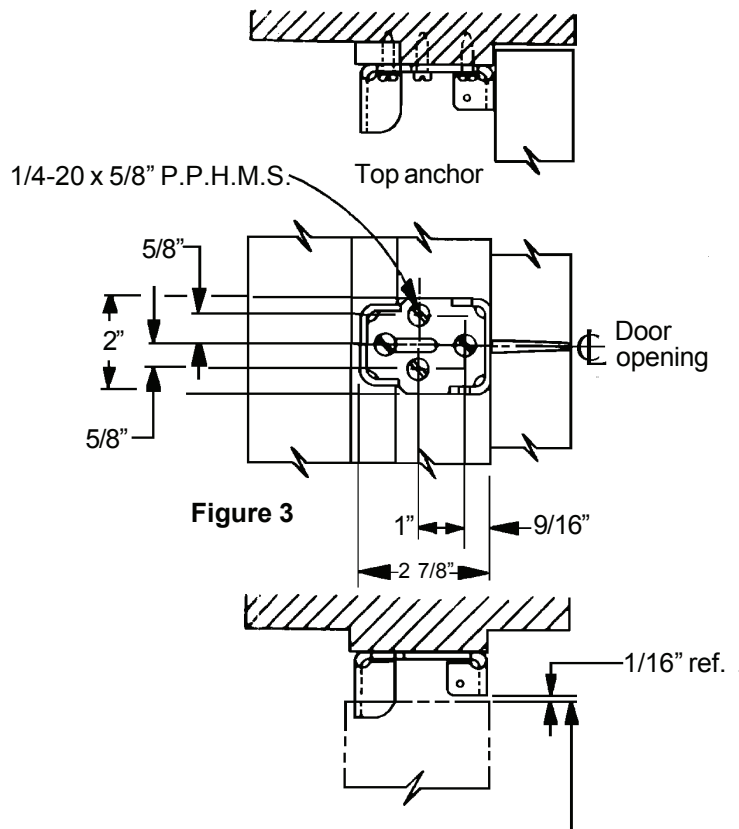


Figure 3

Cut off top end of mullion body so length is 1/16" less than this dimension

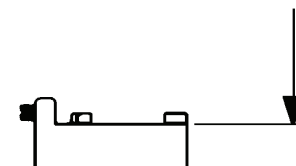


Figure 4

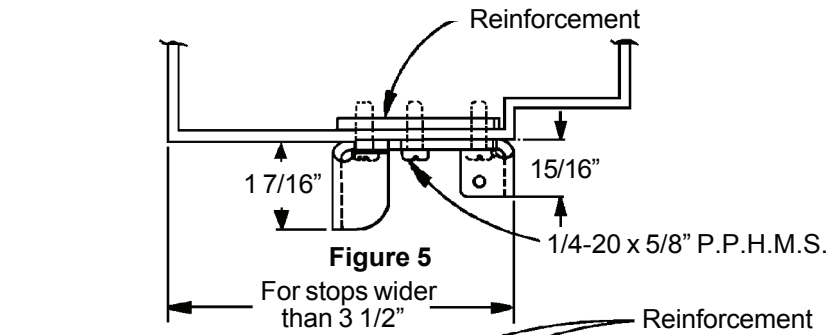


Figure 5

For stops wider than 3 1/2"

1/4-20 x 1 1/2" P.P.H.M.S.

Filler block is to be supplied by the frame mfg. for conditions similar to this

Figure 6

The use of this screw is optional depending on frame conditions

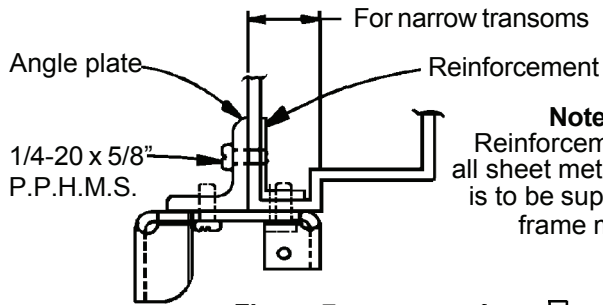
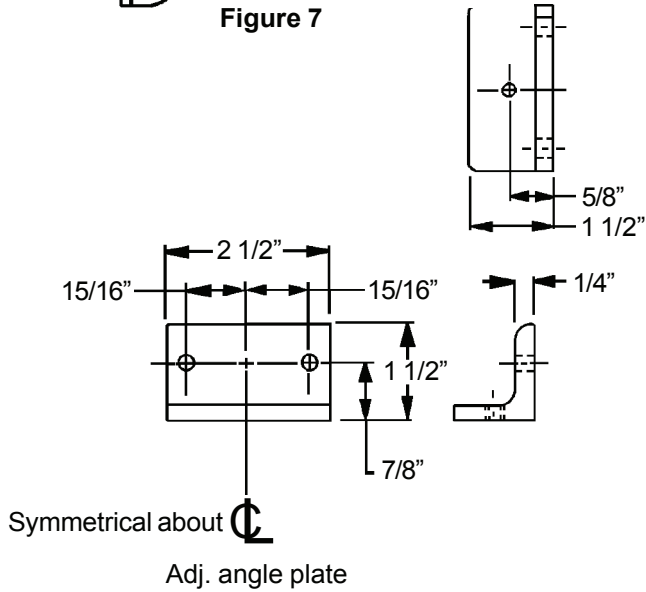


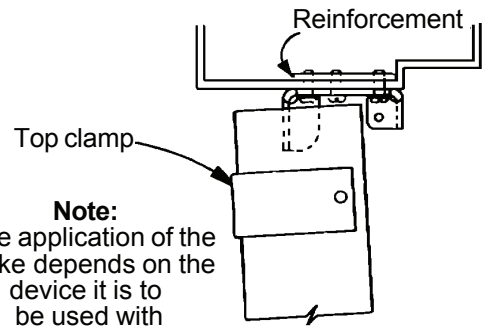
Figure 7

Note: Reinforcement for all sheet metal frames is to be supplied by frame mfg.

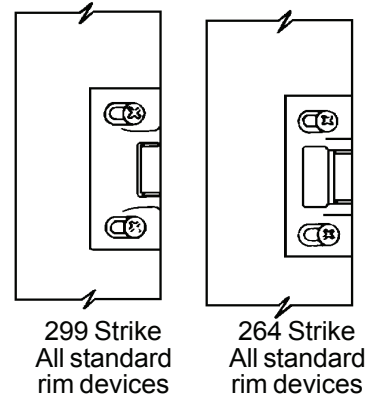


Symmetrical about

Adj. angle plate



Note: The application of the strike depends on the device it is to be used with



299 Strike
All standard
rim devices

264 Strike
All standard
rim devices

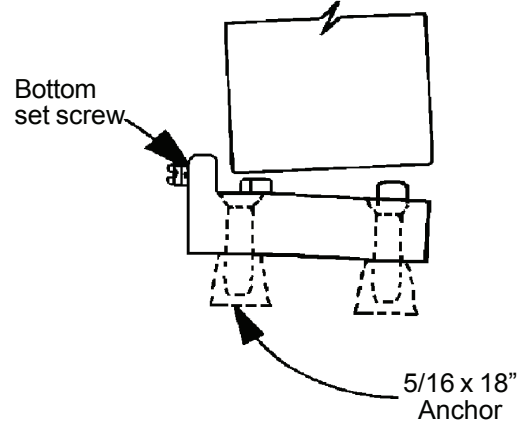


Figure 8

For cutouts on inside face of door, see directions in device carton.

Customer Service

1-877-671-7011 www.allegion.com/us



© Allegion 2014
Printed in U.S.A.
941033-00 Rev. 01/14-c