

INSTALLATION DIRECTIONS

BEFORE APPLYING THIS DEVICE

- A. Threshold (if any) must be installed.
- B. Doors must be fitted and hung.
- C. Check that handing of hardware corresponds with handing of door. (See instruction sheet #41023 for changing the device handing, if necessary.)

1. APPLY STRIKE

- A. Tape appropriate strike template to stop.
- B. When Von Duprin Mullion is used apply strike at tapped holes in Mullion. (See illustration 1, 2, or 3.)
- C. For single door application. (See illustration 4, 5 or 6)

2. PREPARE DOOR

- A. Tape full size template No. 1 or 2, depending on handing of door, to inside face of lock stile. See device height schedule.

BE SURE CENTERLINE OF LOCK STILE CASE IS PARALLEL TO STOP AND THAT EDGE OF CASE IS 3/16 FROM EDGE OF STRIKE. STRIKE MUST BE SHIMMED OUT IF LOCK CASE IS MOUNTED MORE THAN 3/16 FROM EDGE OF STRIKE.

- B. Prepare door as shown. See Fig. 1 for wood door application, and Fig. 2 for metal door application.

3. APPLY OUTSIDE TRIM FOR DT APPLICATION ONLY

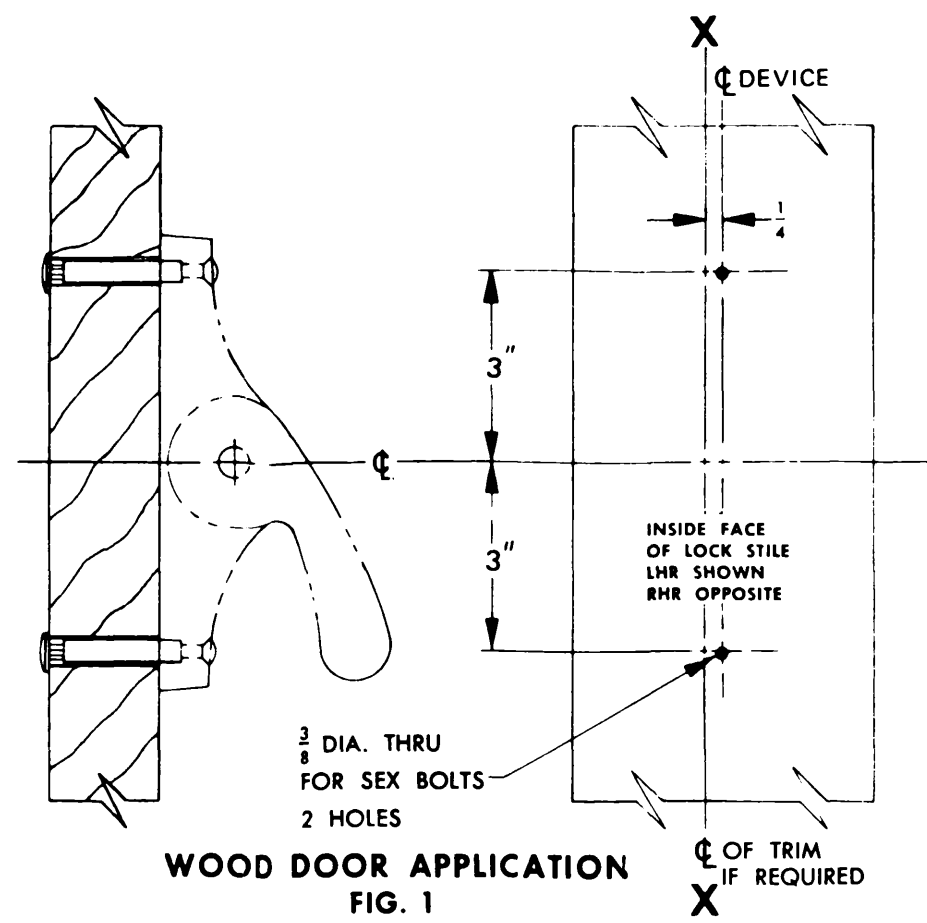
- A. See directions in trim carton, if required. Line "X-X" on trim template corresponds to line "X-X" on device template and is parallel to edge of door. Transfer line "X-X" from inside face to outside face of door.
- B. Prepare outside face of lock stile.
- C. Apply outside trim.

4. APPLY LOCK STILE CASE

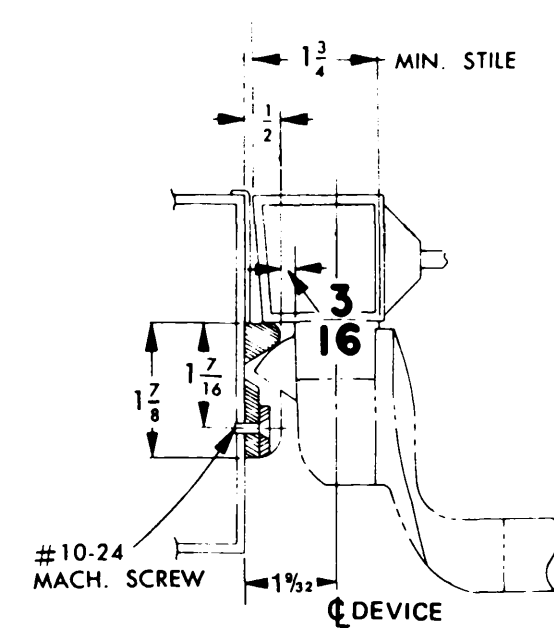
- A. Attach lock stile case to door. (See Fig. 1 or Fig. 2)

5. APPLY HINGE STILE CASE AND CROSSBAR TUBE (FIG. 4)

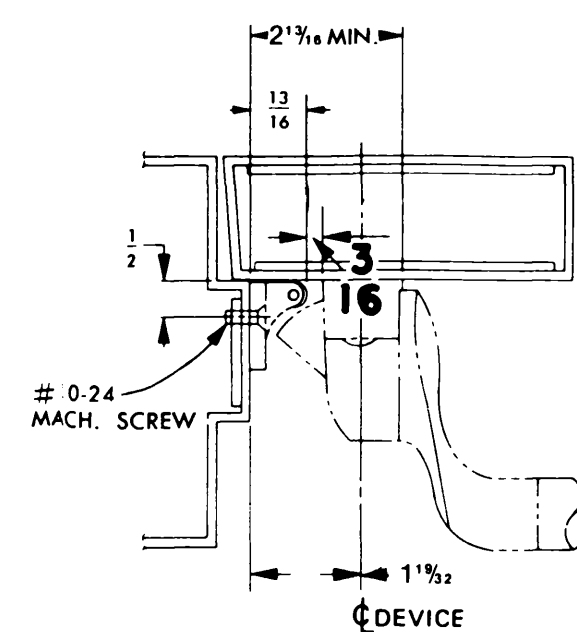
- A. Dog lever arms in depressed position.
- B. Slip crossbar tube on lock stile and hinge stile lever arms. (See Direction No. 941009 for cutting crossbar, if necessary.)
- C. Be sure crossbar is level and hinge stile case is parallel to edge of door and approximately on centerline of exposed stile.
- D. Using holes in hinge stile case, mark location and prepare door for sex bolts.
- E. Apply hinge stile case with crossbar in place.
- F. Tighten wedge-tite set screws securely with dog key and screwdriver or equivalent for leverage and test crossbar for free action. (See Direction No. 941009 for these instructions.)



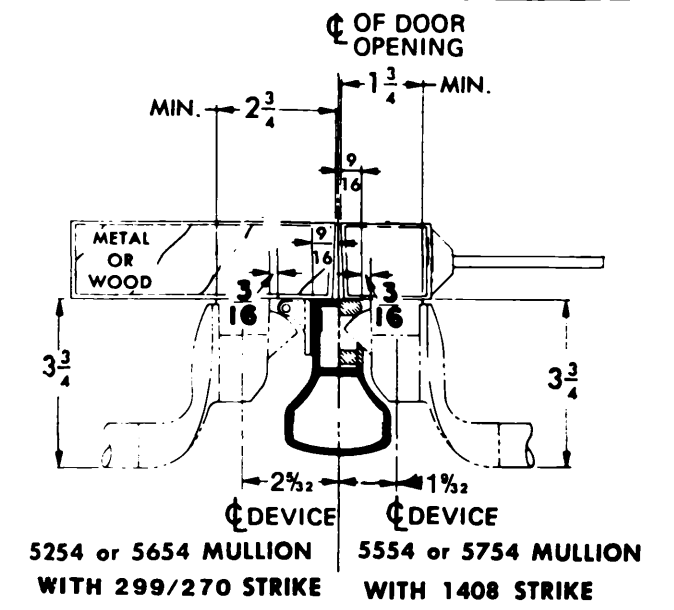
WOOD DOOR APPLICATION FIG. 1



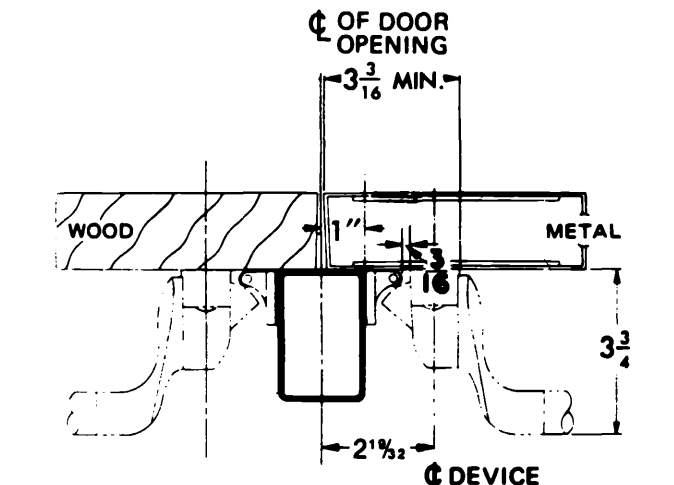
ILLUST. 4 1409 & 1439 STRIKE SINGLE DOOR NARROW STILE



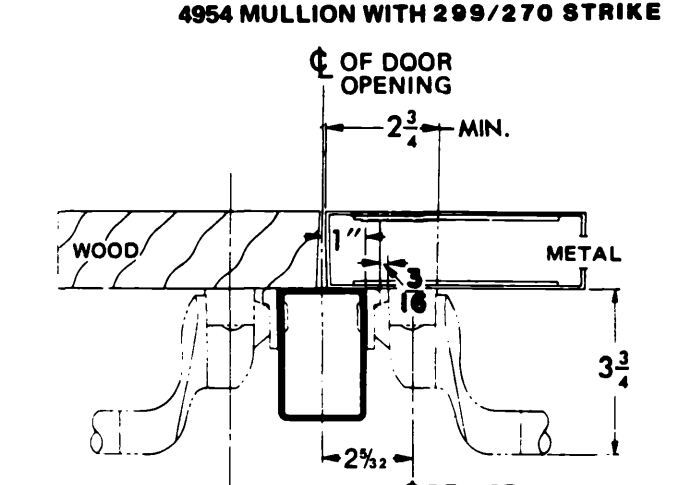
299/270 STRIKE SINGLE DOOR WIDE STILE ILLUST. 5



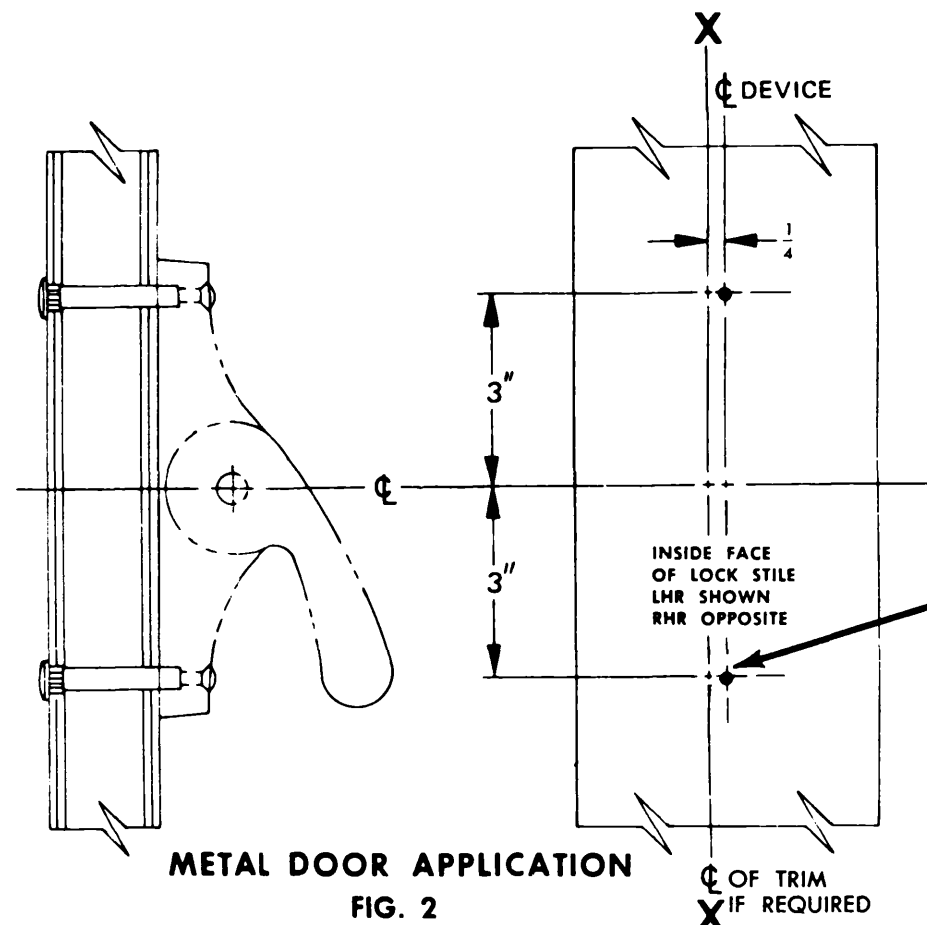
ILLUST. 1



ILLUST. 2



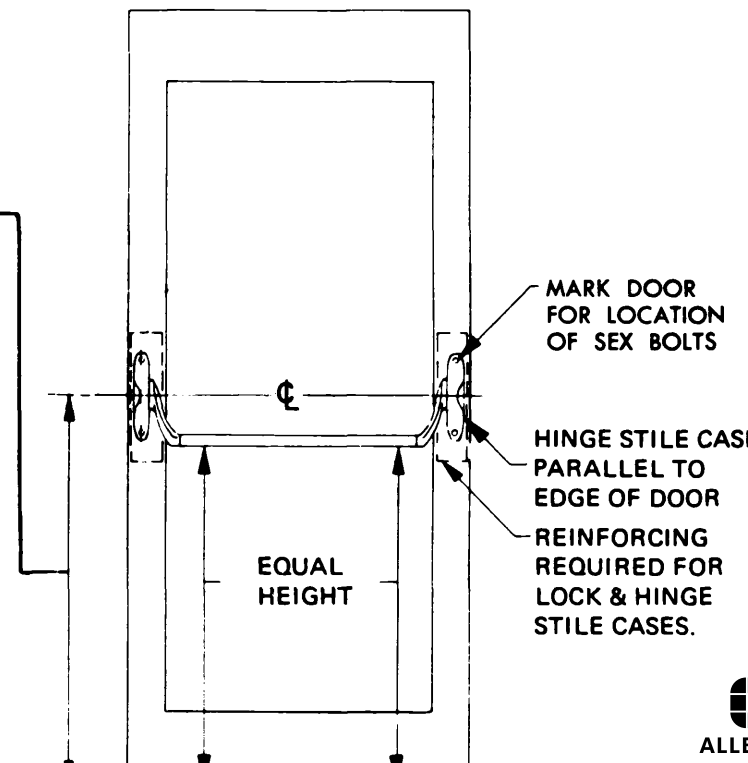
ILLUST. 3



METAL DOOR APPLICATION FIG. 2

SINGLE DOOR OPENING 39-13/16 TO FINISHED FLOOR	
DOUBLE DOOR OPENING WITH VON DUPRIN MULLION AND THRESHOLD	
THRESHOLD NO.	TO FIN. FLOOR
350 or 360	39-11/16
355 or 365	39-13/16
390	39-15/16
ALL OTHER THRESHOLDS	39-11/16
NO THRESHOLD (FLAT SILL)	39-11/16

STD APPLICATION	
3/8 DIA. THRU ENLARGE TO 1/2 DIA. OUTSIDE FACE OF DOOR FOR SEX BOLTS	2 HOLES
243 & E243 TRIM	
#12-24 TAP INSIDE FACE OF DOOR	2 HOLES

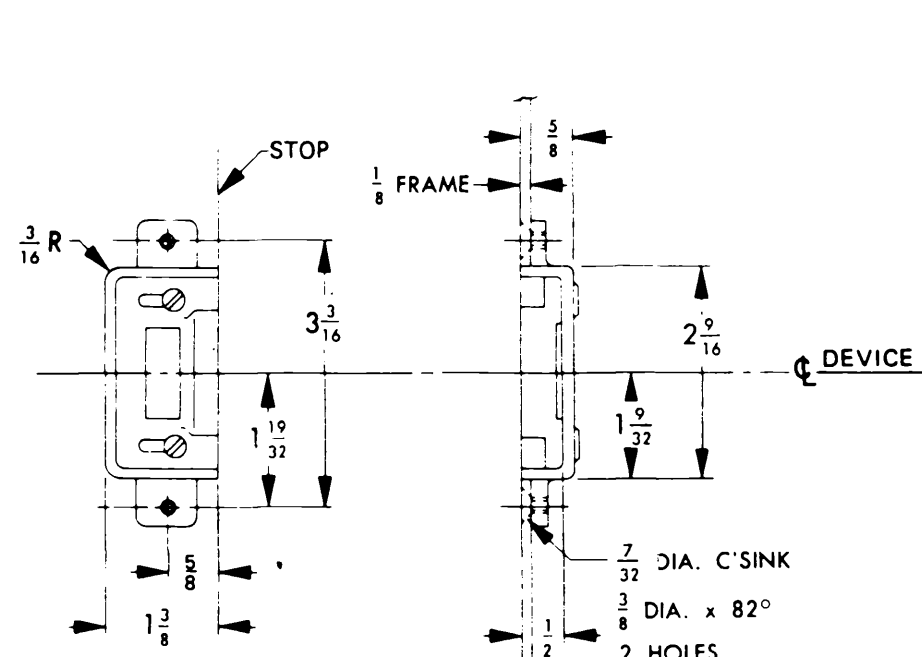


ILLUST. 4

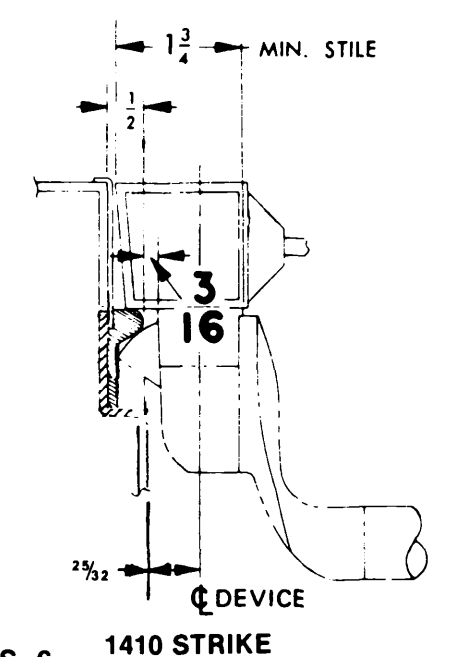
Customer Service
1-877-671-7011 www.allegion.com/us

DESCRIPTION	55E0 & 55DT SERIES RIM DEVICES
DIRECTION NUMBER	911061-00 (b)
DATE	04/14

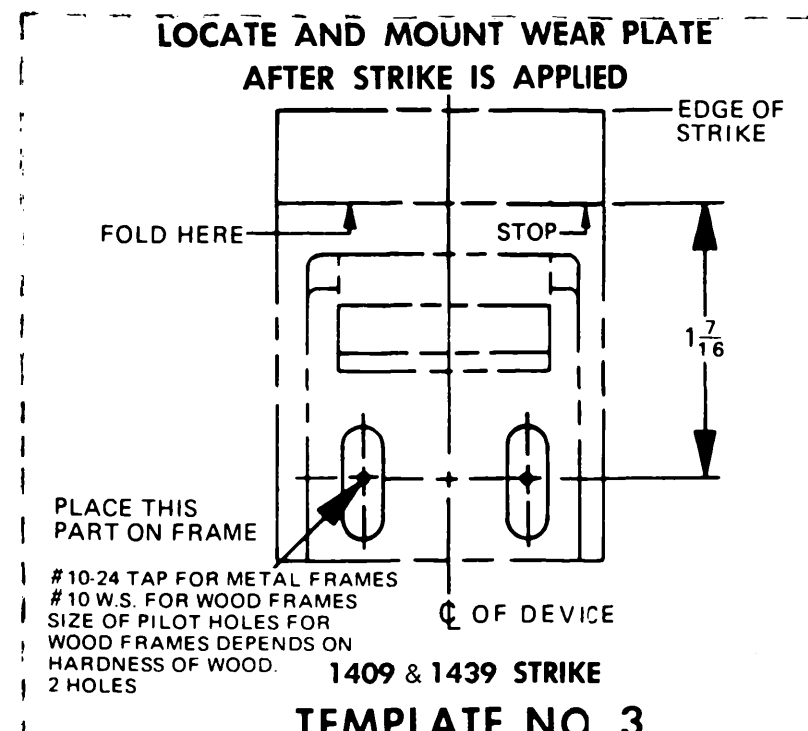
VON DUPRIN



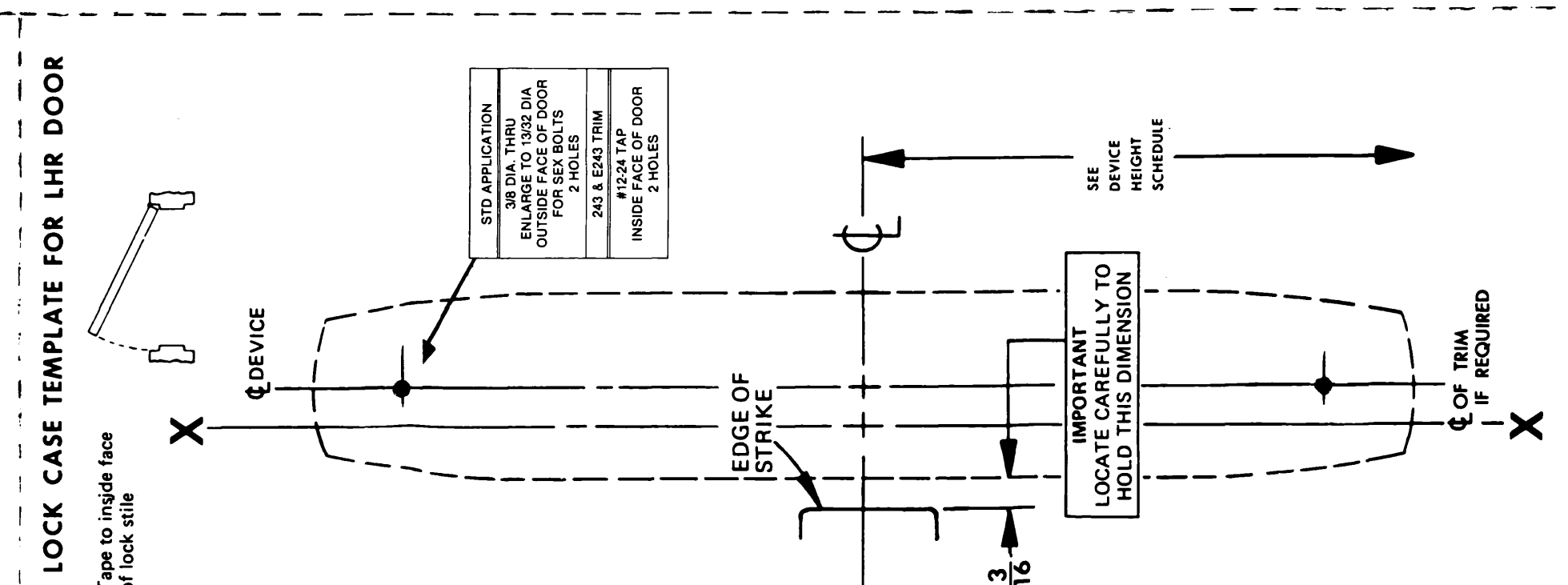
1410 STRIKE



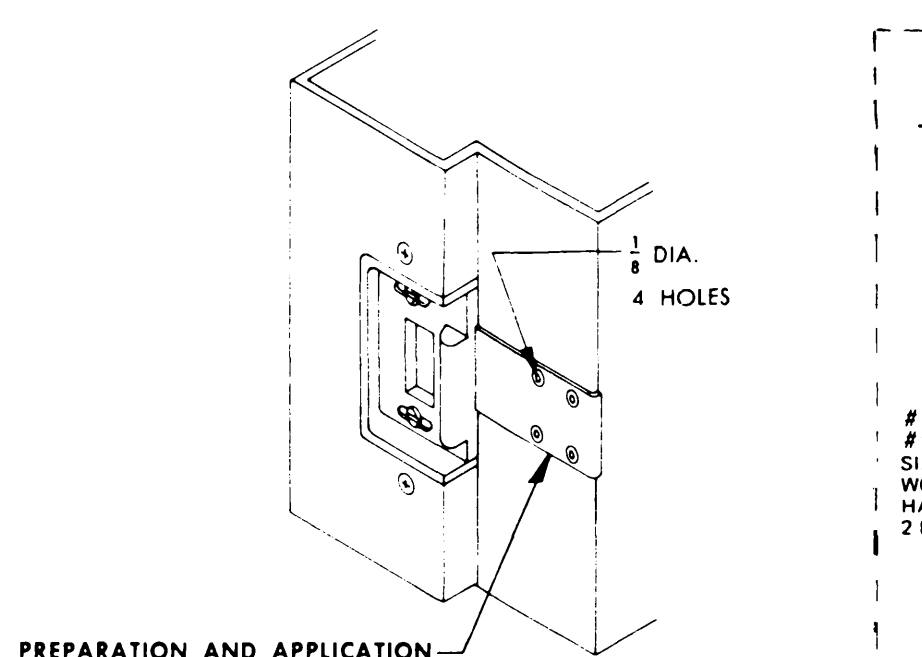
ILLUS. 6 1410 STRIKE SINGLE DOOR NARROW STILE



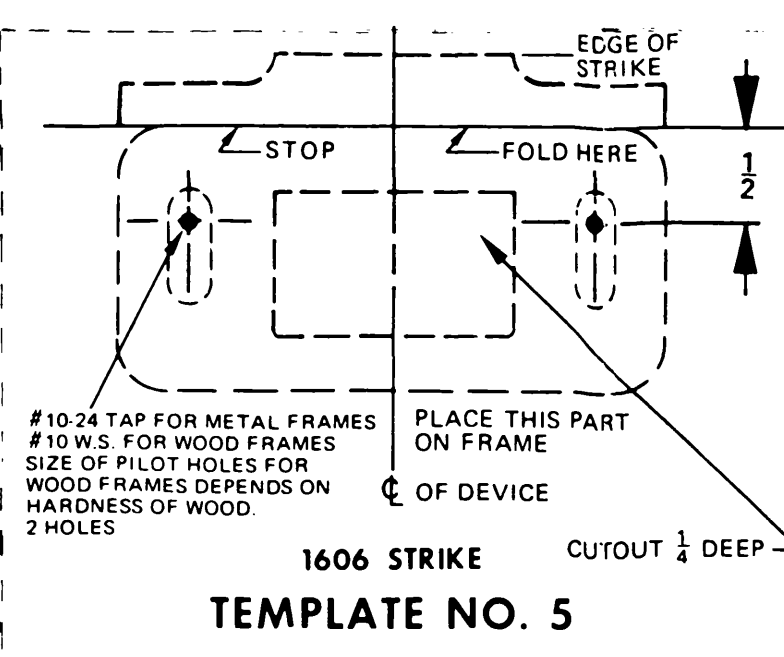
1409 & 1439 STRIKE TEMPLATE NO. 3



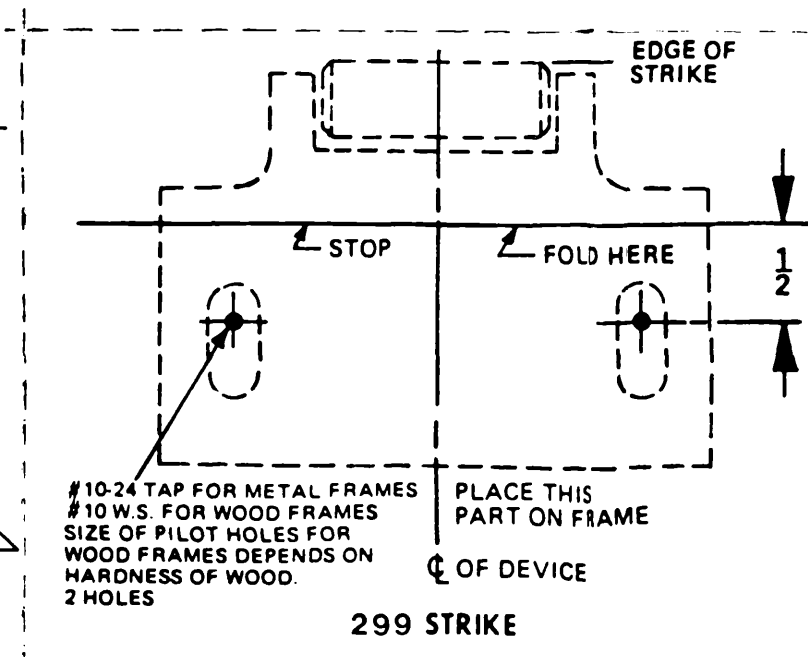
TEMPLATE NO. 1



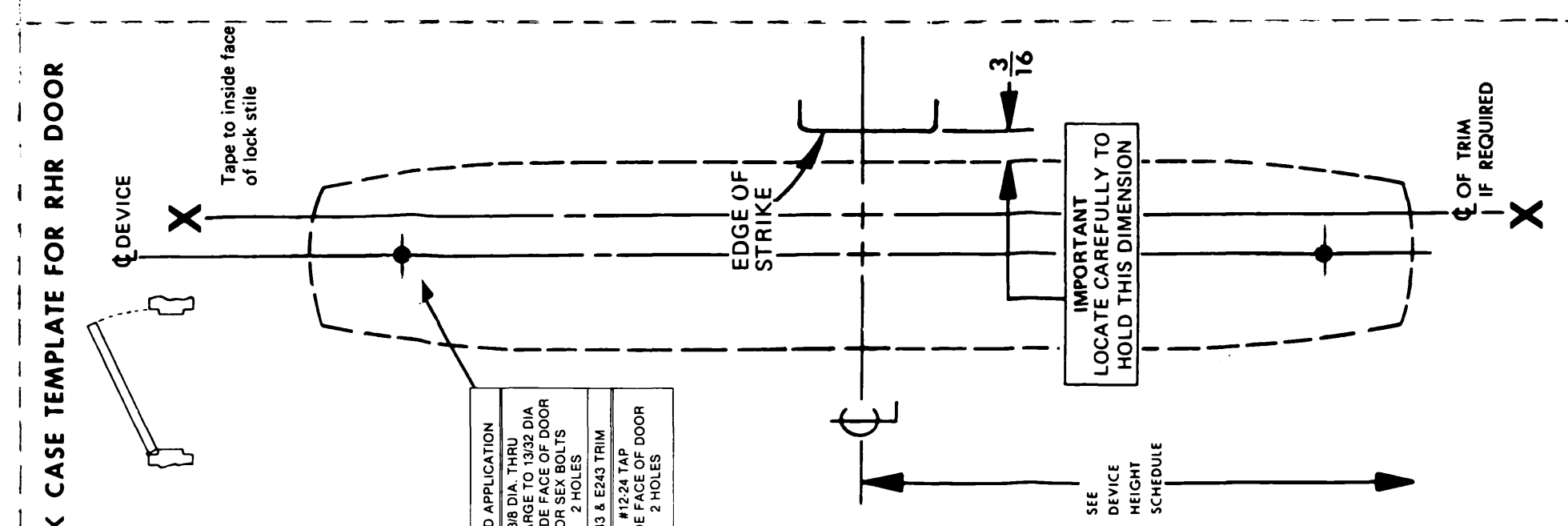
1606 STRIKE



1606 STRIKE TEMPLATE NO. 5



299 STRIKE TEMPLATE NO. 4



TEMPLATE NO. 2

PREPARATION AND APPLICATION OF STRIKE LIP TO BE MADE ON JOB SITE AFTER STRIKE IS INSTALLED

LHR SHOWN RHR OPPOSITE