

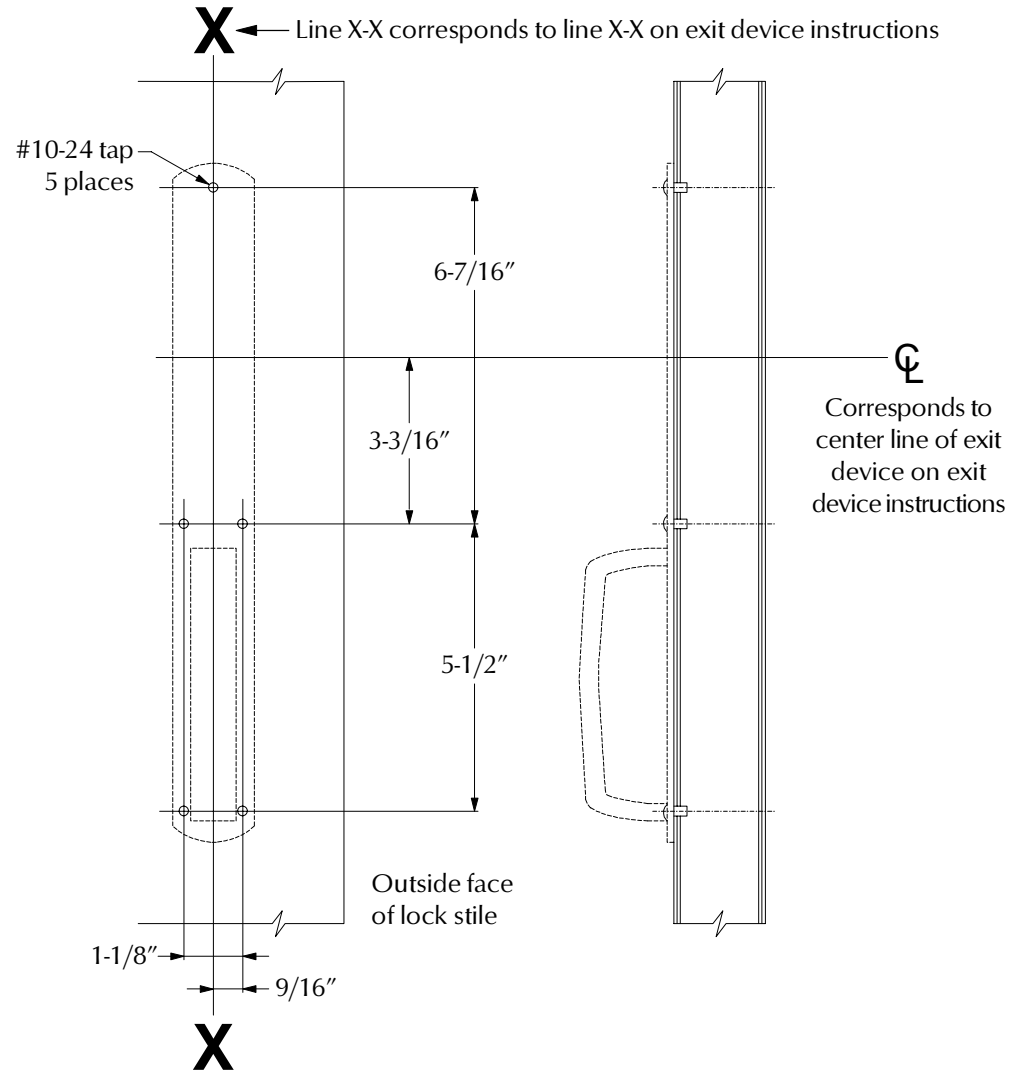
VON DUPRIN®

INSTALLATION INSTRUCTIONS

1. Prepare door for exit device. See exit device instructions for holes, line X-X, and center lines.
2. Prepare door for trim:
 - A. Transfer line X-X from inside (exit device side) of door to outside (trim side) of door. Use extra care if edge of door is beveled. Be sure line X-X is parallel to edge of door.
 - B. Locate and prepare holes as shown.
3. Apply trim.
4. Apply exit device.

Device Application Schedule

5547-F Concealed Vertical Rod Device
8847-F Concealed Vertical Rod Device



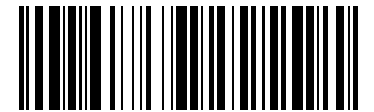
LHR shown, RHR opposite

For cutouts on inside face of door, see exit device instructions

609DT SURFACE APPLIED TRIM

PAGE NO.
1 of 1

REVISION
3



921070-00