



931001-00

Electric Strike Single Door Mortise Application

Installation Instructions

Notes: Deadbolt will not function with this strike. Check with factory for retrofit applications.

- 1 For lock or device preparation, see their directions.
- 2 Prepare frame for strike (see other side).
- 3 Wire strike (Figure 1). (Switches on 6210DS only.)
- 4 Install insert for auxiliary bolt operation (Figure 2).
- 5 Test strike: Apply solenoid power. Fail secure (FSE) lip unlocks. Fail safe (FS) lip locks. Figure 1 shows status of switches.
- 6 Install strike with two #12-24 screws. Make sure clearance between latch bolt and strike lip is 1/32" (Figure 3). If not, uninstall strike, adjust (Figure 4), and reinstall.
- 7 Test door: With strike unlocked, door opens with latch bolt extended. When door closes, latch bolt rides over strike lip.

SOLENOID POWER REQUIREMENTS

Yellow solenoid wires: 12 VDC, 0.57 A
 Black solenoid wires: 24 VDC, 0.29 A
 (also shown on strike label)

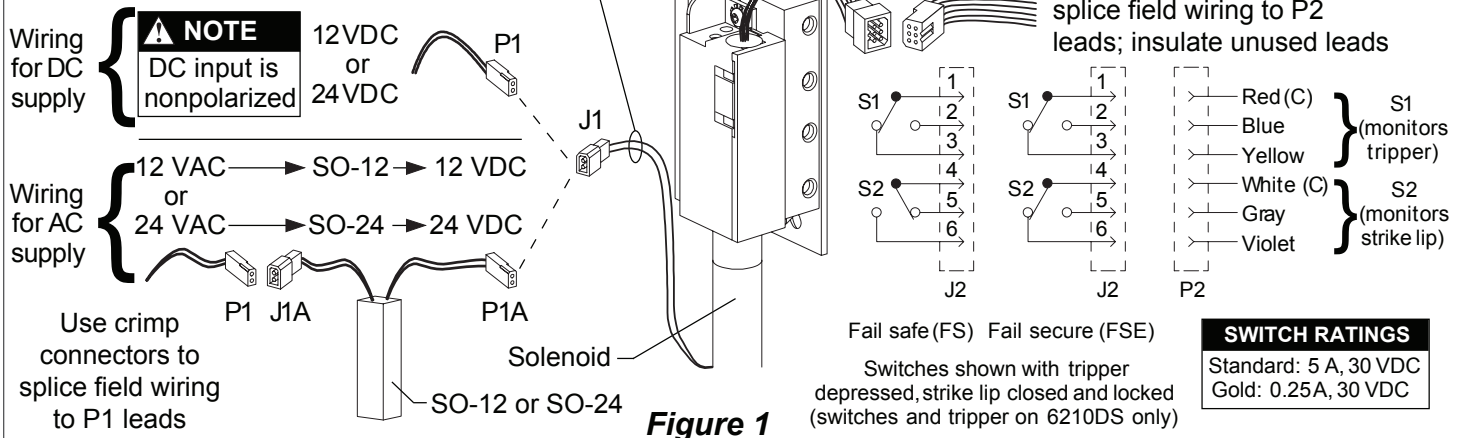


Figure 1

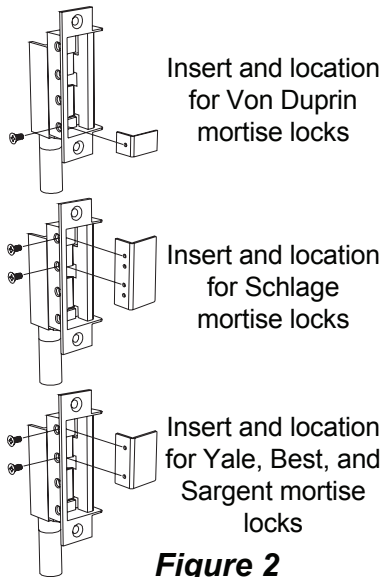


Figure 2

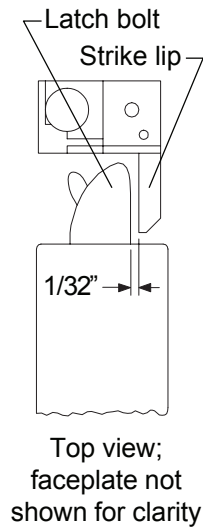


Figure 3

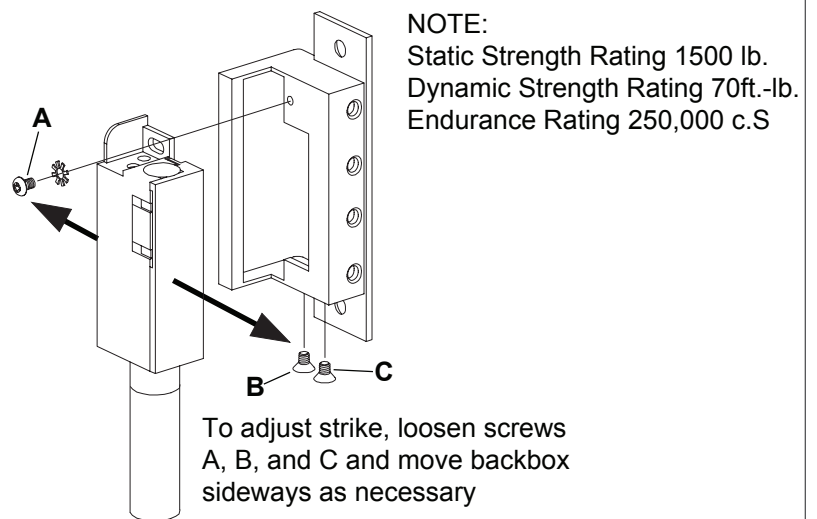
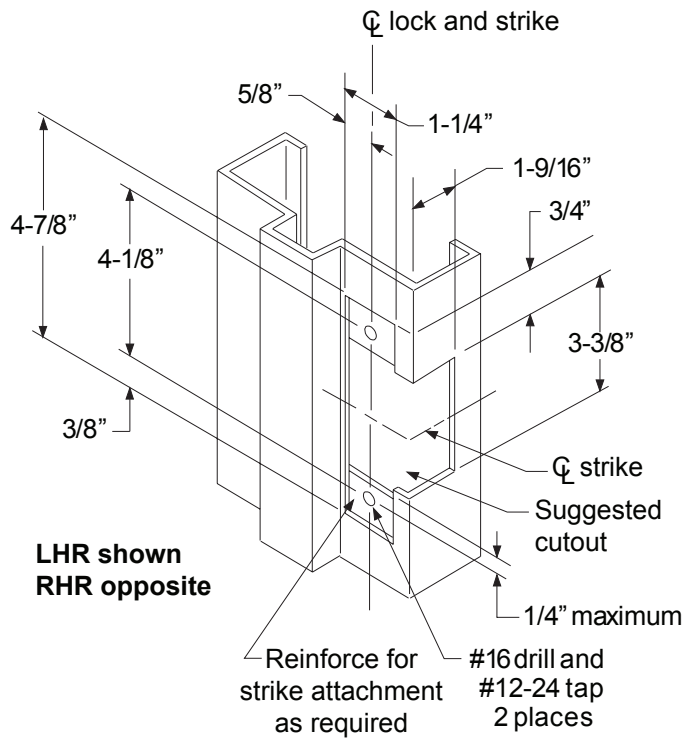
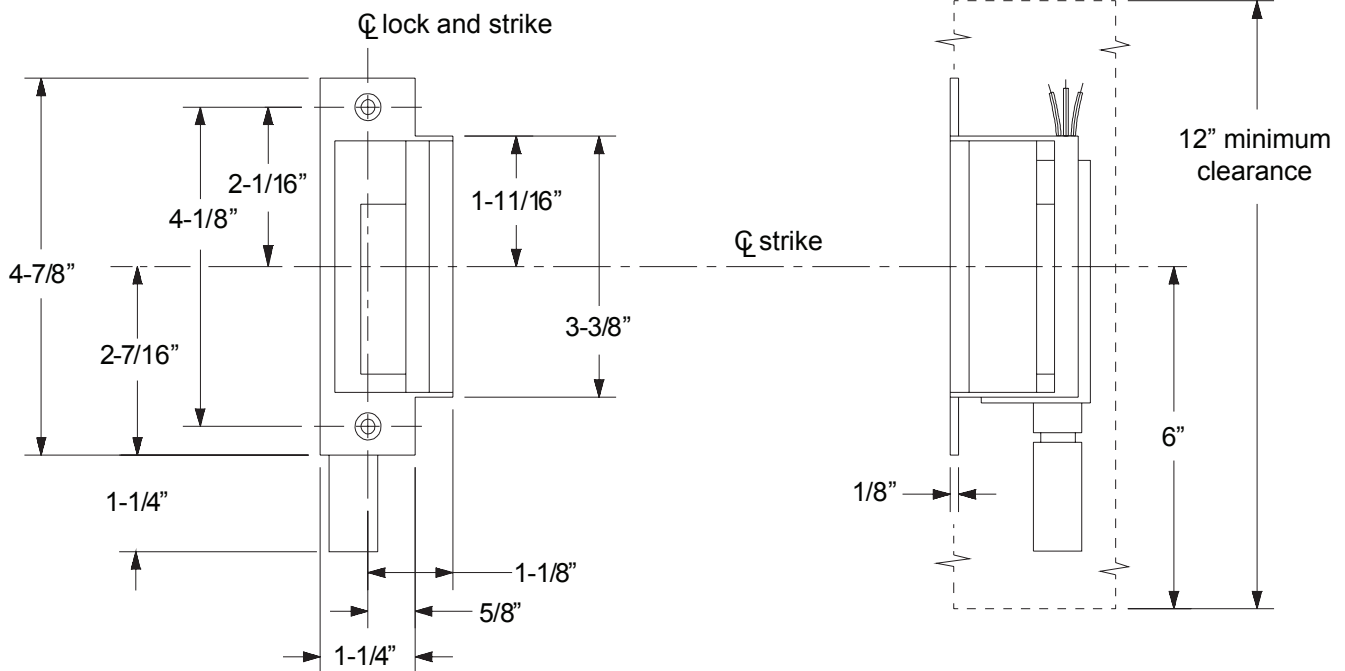
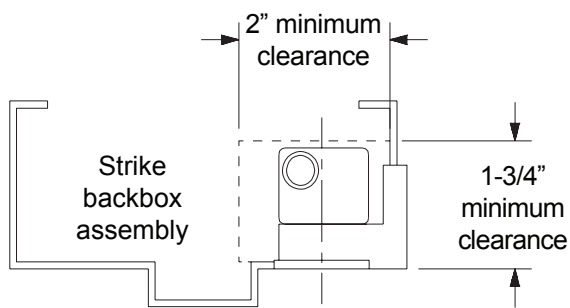


Figure 4



Frame Preparation for Strike



Strike Dimensions and Required Clearances

Customer Service

1-877-671-7011 www.allegion.com/us



© Allegion 2014
 Printed in U.S.A.
 931001-00 Rev. 01/14-c