



931228-00

6212/6212DS

VON DUPRIN

Electric Strike, Single Door Mortise or Cylindrical Application

Installation Instructions

Notes: Deadbolt will not function with this strike.
Check with factory for retrofit applications.

1. For lock or device preparation, see their directions.
2. Prepare frame for strike (see other side).
3. Wire strike (Figure 1). (Switches on 6212DS only.)
4. Install insert for auxiliary bolt operation (Figure 2).

5. Test strike: Apply solenoid power. Fail secure (FSE) lip unlocks. Fail safe (FS) lip locks. Figure 1 shows status of switches.
6. Install strike with two #12-24 screws. Make sure clearance between latch bolt and strike lip is 1/32" (Figure 3). If not, uninstall strike, adjust (Figure 4), and reinstall.
7. If latch bolt does not extend far enough to actuate tripper, install extension (Figure 5). (Tripper on 6212DS only.)
8. Test door: With strike unlocked, door opens with latch bolt extended. When door closes, latch bolt rides over strike lip.

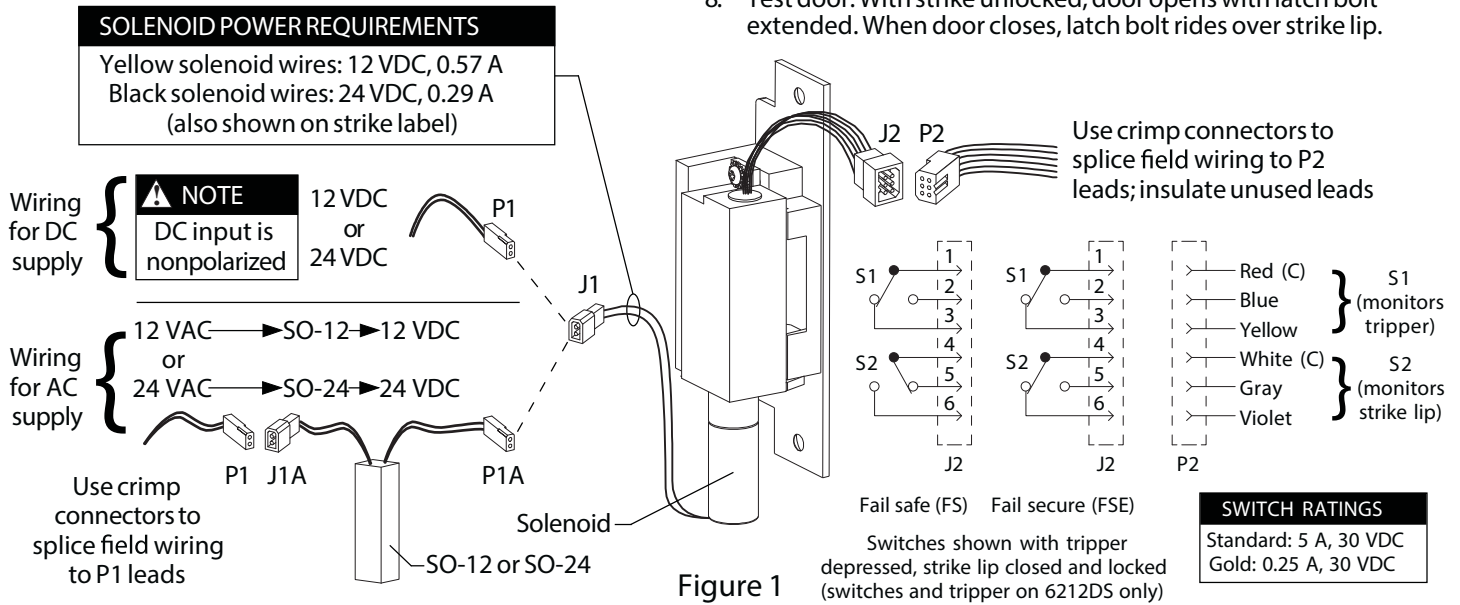


Figure 1

NOTE:
 Static Strength Rating 1500 lb.
 Dynamic Strength Rating 70ft.-lb.
 Endurance Rating 250,000 c.

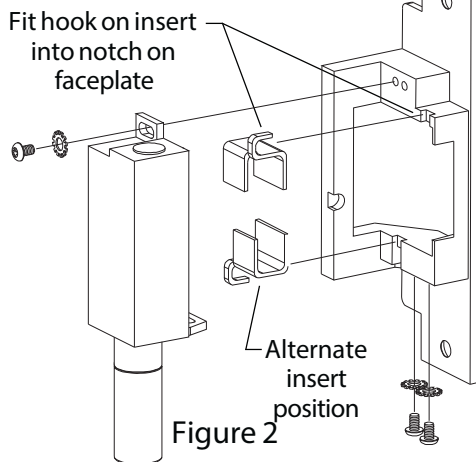


Figure 2

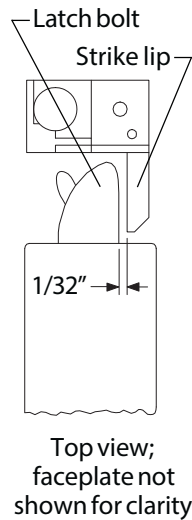


Figure 3

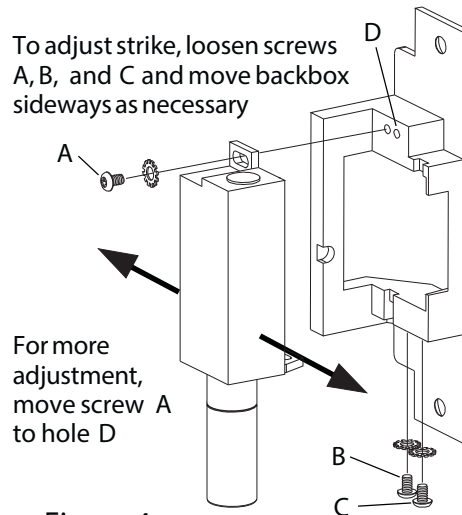


Figure 4

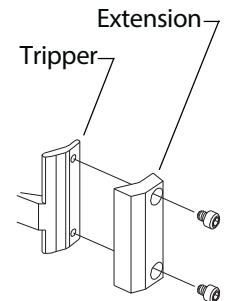


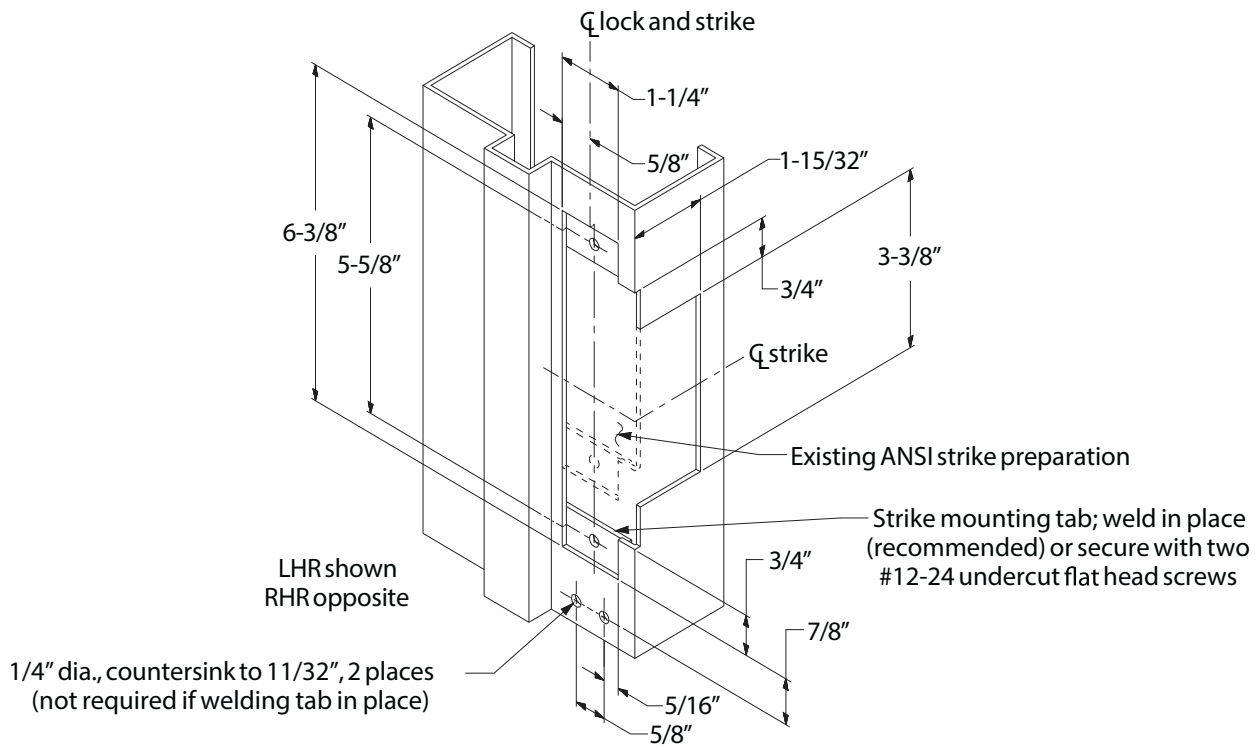
Figure 5



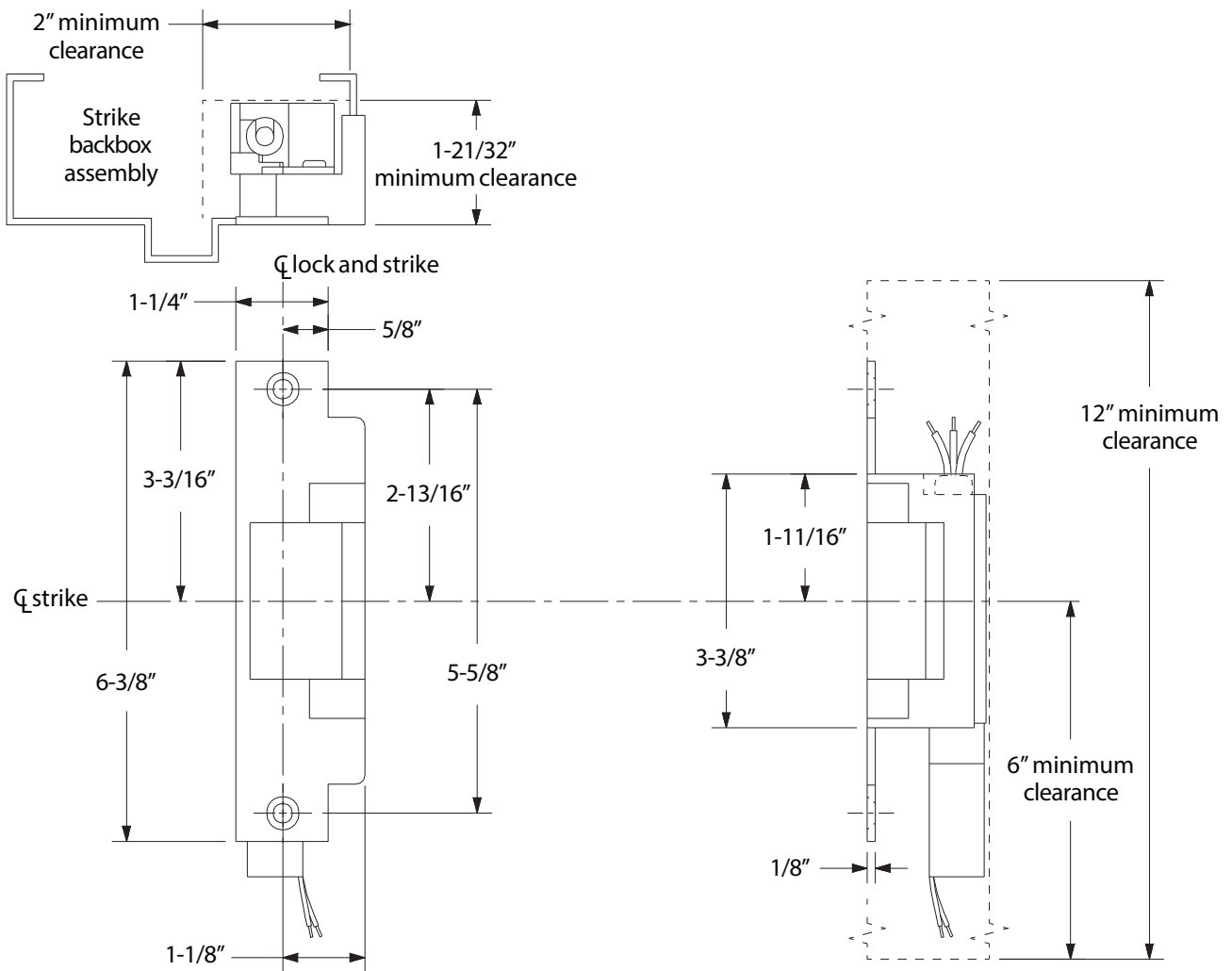
Customer Service

1-877-671-7011 www.allegion.com/us

© Allegion 2014
 Printed in U.S.A.
 931228-00 Rev. 01/14-b



Frame Preparation for Strike



Strike Dimensions and Required Clearances