



931238-00

6225

VON DUPRIN®

Electric Strike, Double Door Open Back Mortise or Cylindrical Application

Installation Instructions

Notes: Deadbolt will not function with this strike. Check with factory for retrofit applications.

1. For lock or device preparation, see their directions.
2. Prepare door for strike (see other side).
3. Wire strike (Figure 1).
4. Test strike: Apply solenoid power. Fail secure (FSE) lip unlocks. Fail safe (FS) lip locks.

5. Install strike with two #12-24 screws. Make sure clearance between latch bolt and strike lip is 1/32" (Figure 2). If not, uninstall strike, adjust (Figure 3), and reinstall.
6. Test door: With strike unlocked, door opens with latch bolt extended. When door closes, latch bolt rides over strike lip.

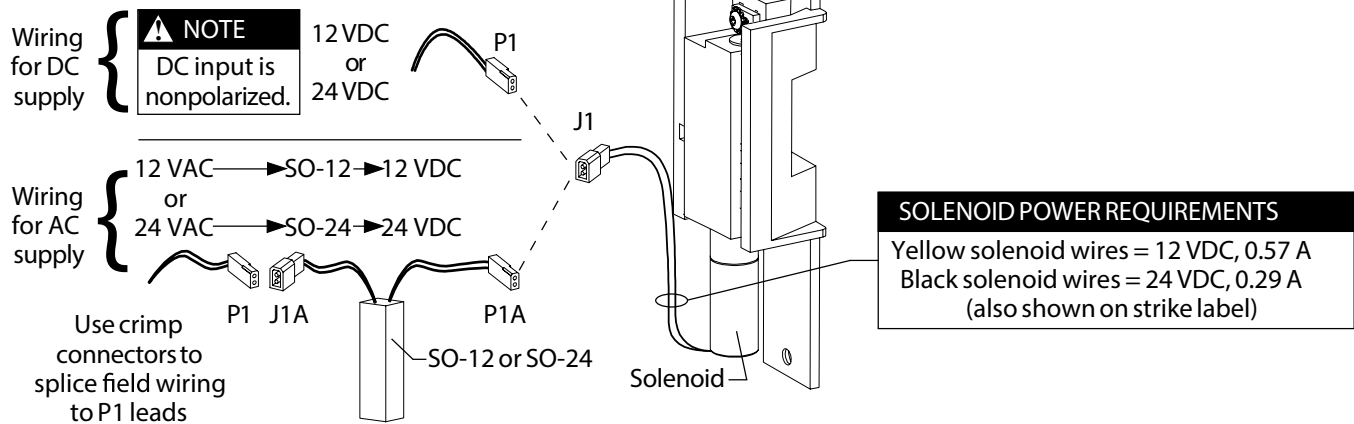


Figure 1

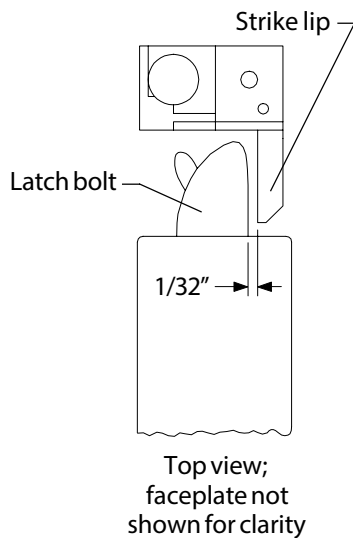


Figure 2

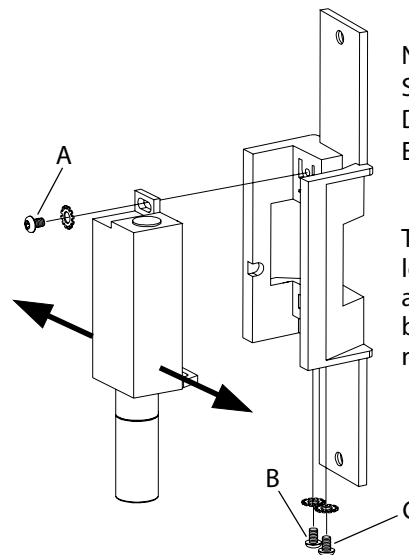


Figure 3

NOTE:  
 Static Strength Rating 1500 lb.  
 Dynamic Strength Rating 70ft.-lb.  
 Endurance Rating 250,000 c.

To adjust strike,  
 loosen screws A, B,  
 and C and move  
 backbox sideways as  
 necessary



89/336/2002

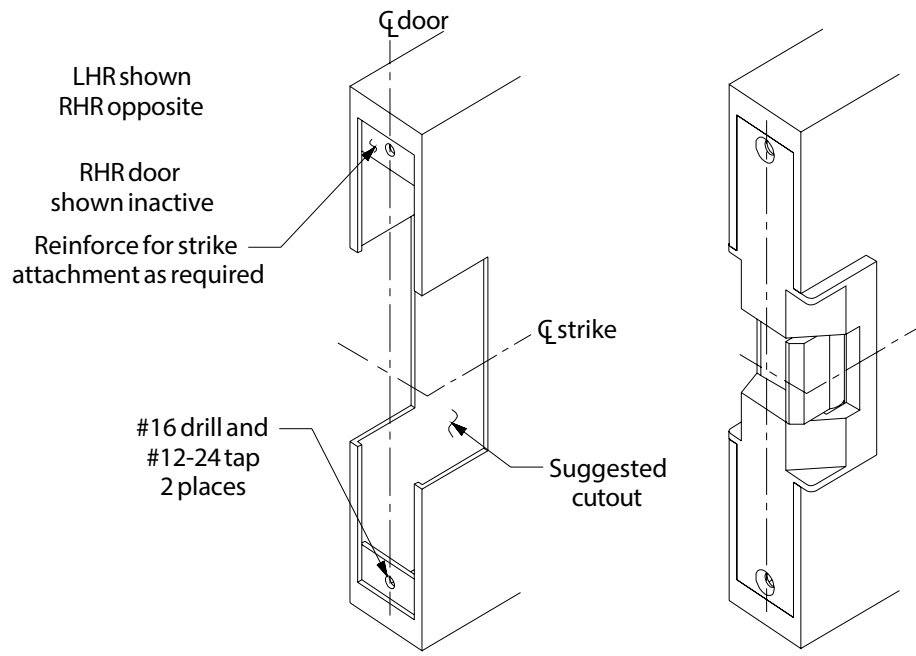


Customer Service

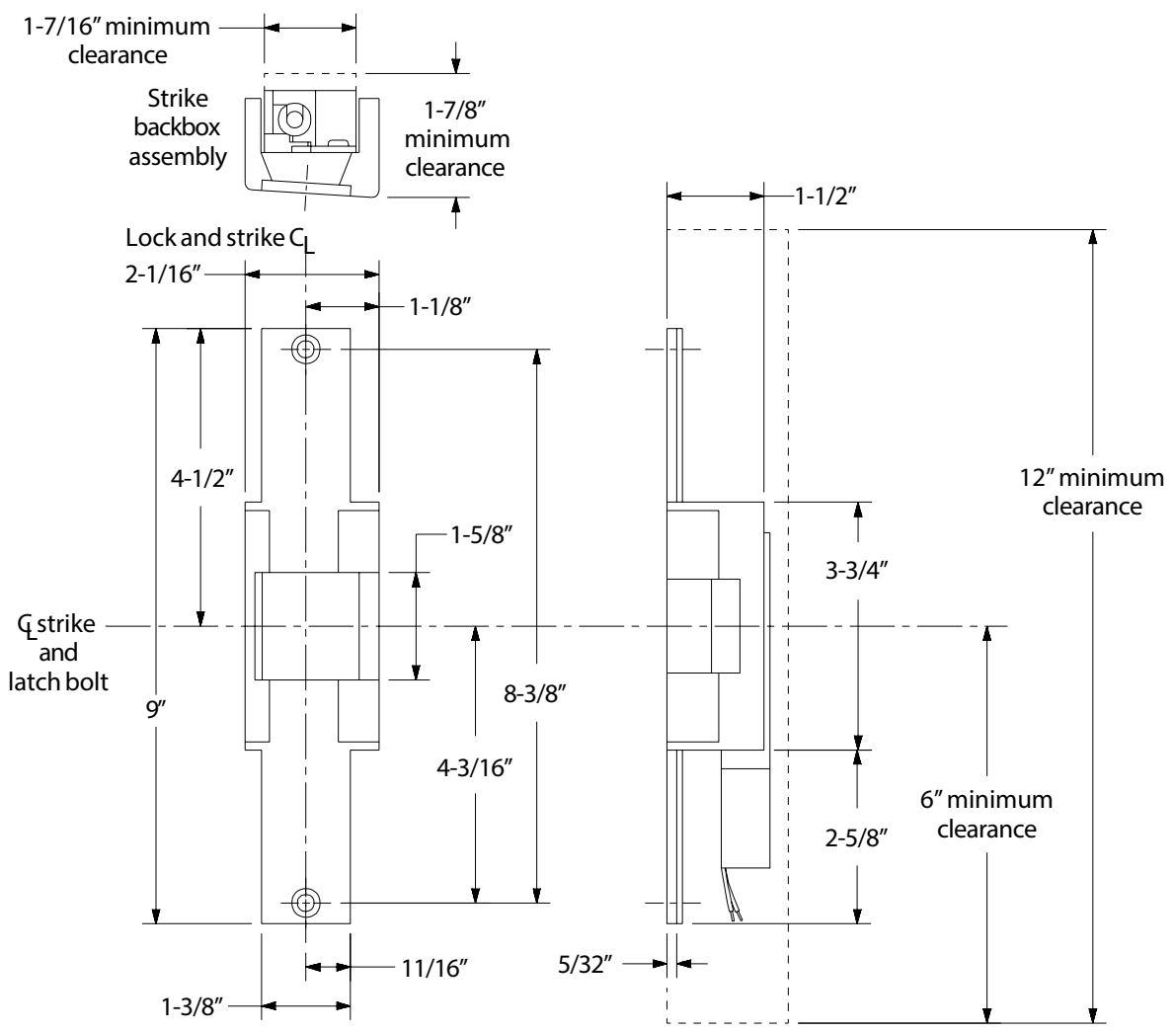
1-877-671-7011

www.allegion.com/us

© Allegion 2014  
 Printed in U.S.A.  
 931238-00 Rev. 01/14-b



Door Preparation for Strike



Strike Dimensions and Required Clearances