



921250-00

Trim for 44 and 88 Rim Devices

880DT/EO/NL/TP/TP-BE

VON DUPRIN®

Installation Instructions

880TP/TP-BE

(see other side for 880DT/EO/NL)

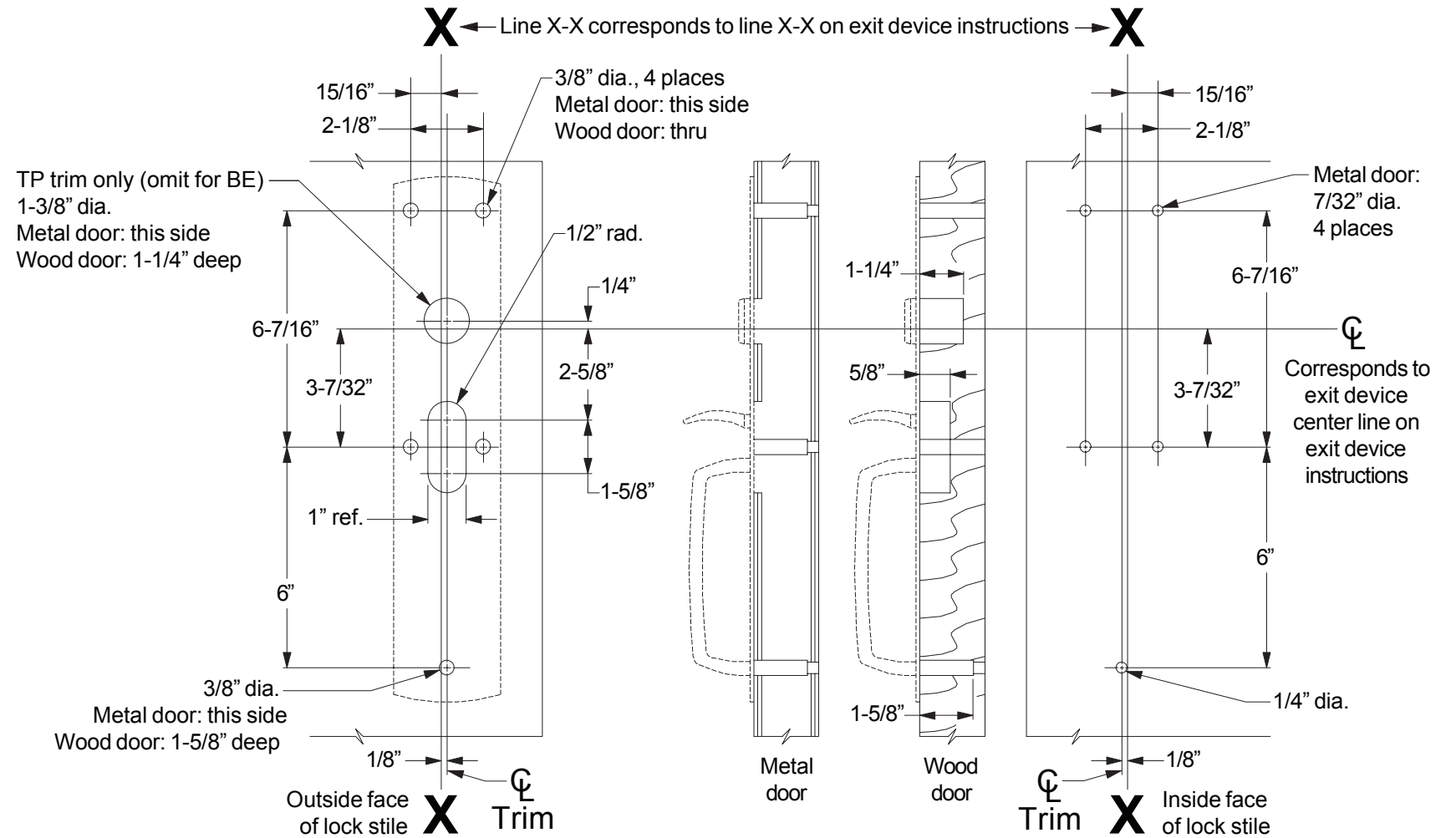
1. Prepare door for exit device. See exit device instructions for holes, line X-X, and center lines.
2. Prepare door for trim:
 - A. Transfer line X-X from inside (exit device side) of door to outside (trim side) of door. Use extra care if edge of door is beveled.
 - B. Locate and prepare all holes as shown.

IMPORTANT

Note that trim center line is offset from line X-X by 1/8" as shown.

3. For TP trim, install cylinder in trim. Cut cylinder tailpiece to extend out of exit device side of door as follows:
 - 44 Rim device: 3/16" to 1/4" extension
 - 88 Rim device: 5/8" to 3/4" extension
4. Cut thumbpiece to extend 5/8" to 3/4" out of exit device side of door.
5. Apply trim.
6. Apply exit device.

880TP/TP-BE (see other side for 880DT/EO/NL)



LHR shown, RHR opposite

For cutouts on inside face of door, see exit device instructions

880DT/EO/NL
(see other side for 880TP/TP-BE)

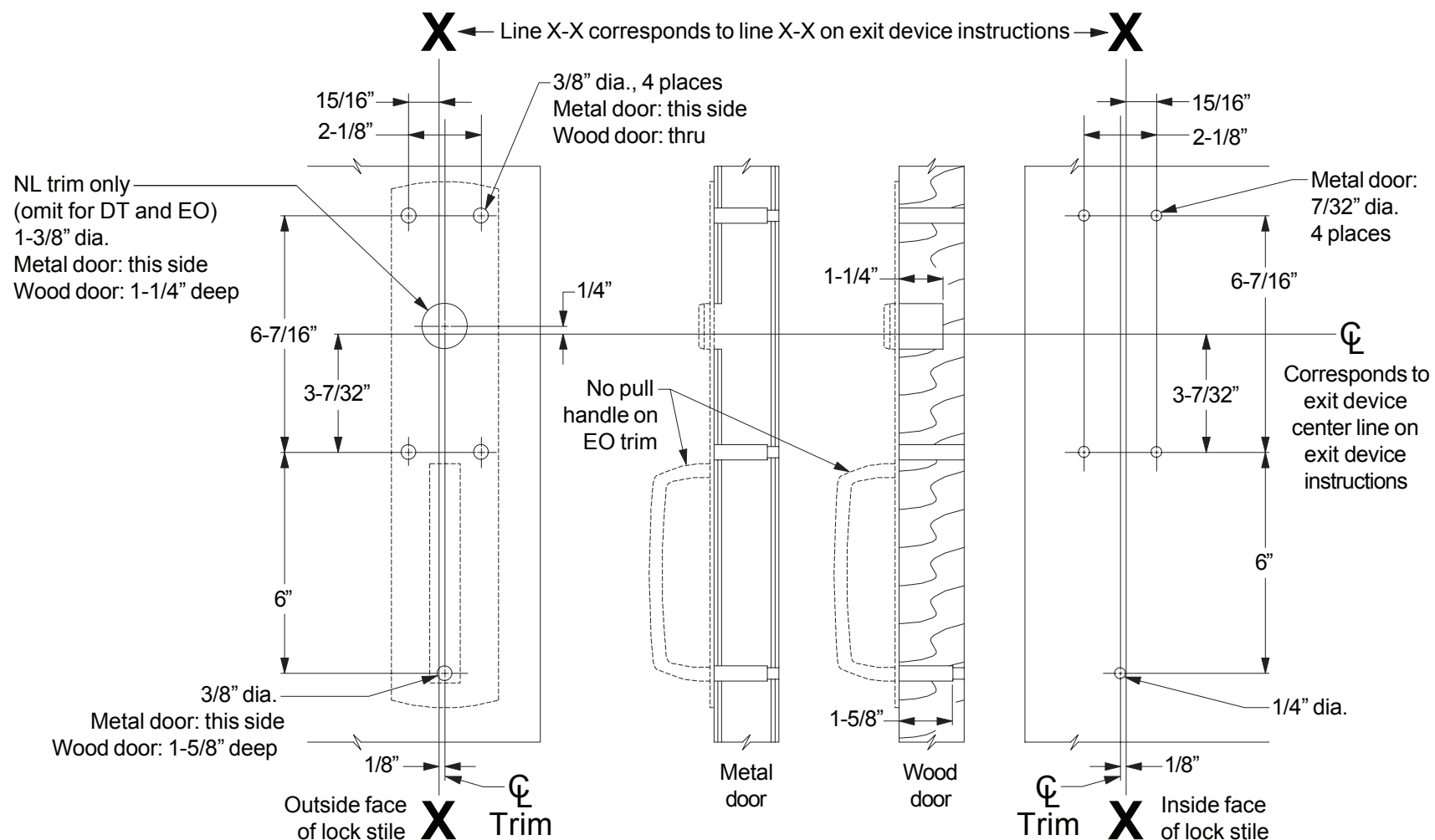
1. Prepare door for exit device. See exit device instructions for holes, line X-X, and center lines.
2. Prepare door for trim:
 - A. Transfer line X-X from inside (exit device side) of door to outside (trim side) of door. Use extra care if edge of door is beveled.
 - B. Locate and prepare all holes as shown.

IMPORTANT

Note that trim center line is offset from line X-X by 1/8" as shown.

3. For NL trim, install cylinder in trim. Cut cylinder tailpiece to extend 5/8" to 3/4" out of exit device side of door.
4. Apply trim.
5. Apply exit device.

880DT/EO/NL (see other side for 880TP/TP-BE)



LHR shown, RHR opposite

For cutouts on inside face of door, see exit device instructions