

INSTALLATION DIRECTIONS

BEFORE APPLYING THIS DEVICE

- A. Threshold (if any) must be installed.
- B. Doors must be fitted and hung.
- C. Check that handing of hardware corresponds with handing of door. See Fig. 3.

1. APPLY STRIKE

- A. Tape appropriate strike template to stop.
- B. When Von Duprin Mullion is used apply strike at tapped holes in Mullion. (See illustration 1 or 2)
- C. Vertical rod and rim devices on pairs of doors require 1609J strike. See template No. 30021 for this application.

2. PREPARE DOOR

- A. Tape full size template No. 1 or 2, depending on handing of door, to inside face of lock stile. See Device Height Schedule.

NOTE: BE SURE CENTERLINE OF LOCK STILE CASE IS PARALLEL TO STOP AND THAT EDGE OF CASE IS 3/16" FROM EDGE OF STRIKE. STRIKE MUST BE SHIMMED OUT IF LOCK CASE IS MOUNTED MORE THAN 3/16" FROM STRIKE.

- B. Prepare door as shown. See Fig. 1 for wood door application, and Fig. 2 for metal door application.

3. APPLY OUTSIDE TRIM

- A. See directions in trim carton. Line "X-X" on trim template corresponds to line "X-X" on device template and is parallel to edge of door. Transfer line "X-X" from inside face to outside face of door.
- B. Prepare outside face of lock stile.
- C. If necessary, cut off knob spindle to extend 1/4" to 1/2" and cylinder tailpiece to extend 5/8" to 3/4" thru door and into device case.
- D. Apply outside trim.

4. INSTALL LEVER ARMS

- A. Insert lever arms into lock stile and hinge stile cases.
- B. Assemble axes and tighten securely. (See instructions in axle envelope.)

5. APPLY LOCK STILE CASE

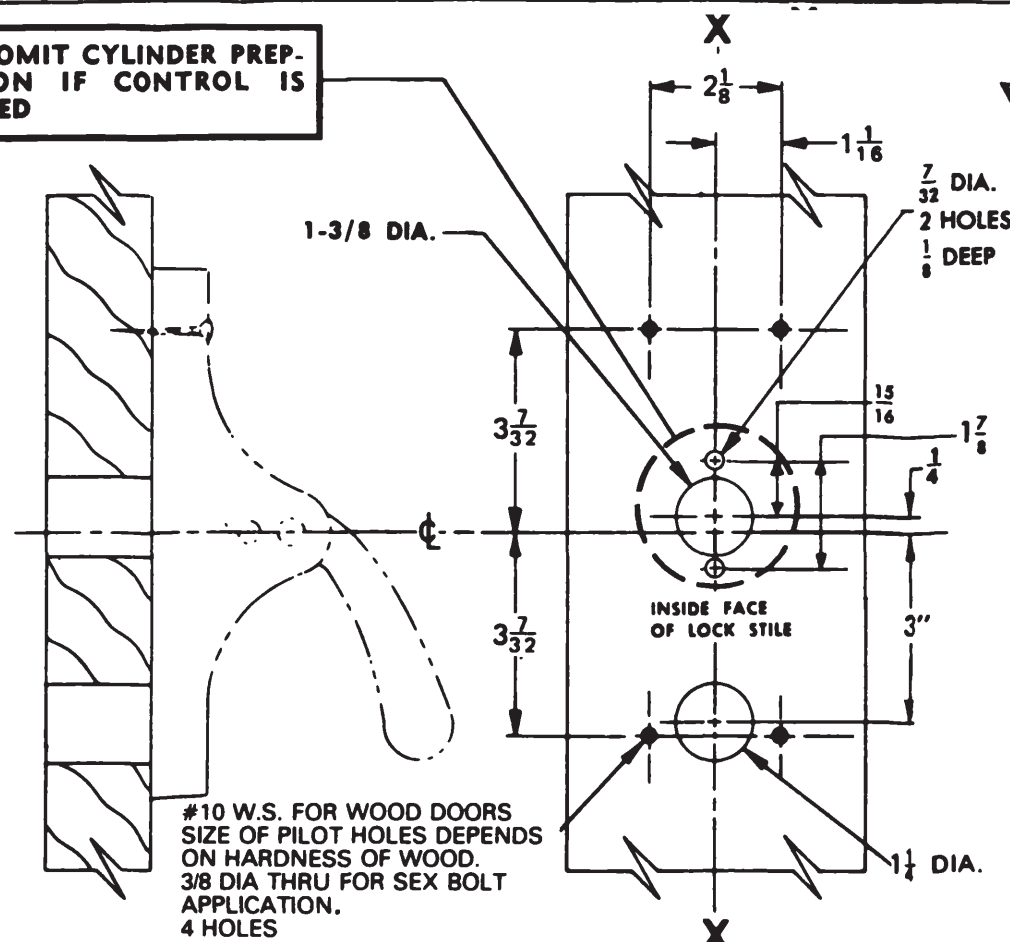
- A. Remove key from cylinder.
- B. Position cylinder cam as shown in Fig. 3.
- C. Attach lock stile case to door. (See Fig. 1 or Fig. 2)
- D. Test key and knob action.

6. APPLY HINGE STILE CASE AND CROSSBAR TUBE (FIG. 4)

- A. Dog lever arms in depressed position.
- B. Slip crossbar tube on lock stile and hinge stile lever arms. (See Direction No. 941009 for cutting crossbar, if necessary.)
- C. Be sure crossbar is level and hinge stile case is parallel to edge of door and approximately on centerline of exposed stile.
- D. Using holes in hinge stile case, mark location and prepare door for attaching screws.
- E. Apply hinge stile case with crossbar in place.
- F. Tighten wedge-lite set screws securely with dog key and screwdriver or equivalent for leverage, and test crossbar for free action. (See Direction No. 941009 for these instructions.)

NOTE: When this device is ordered with two cylinder operation - inside key locks knob. When locked from inside, outside key retracts latch bolt.

NOTE: OMIT CYLINDER PREPARATION IF CONTROL IS SPECIFIED



WOOD DOOR APPLICATION
FIG. 1

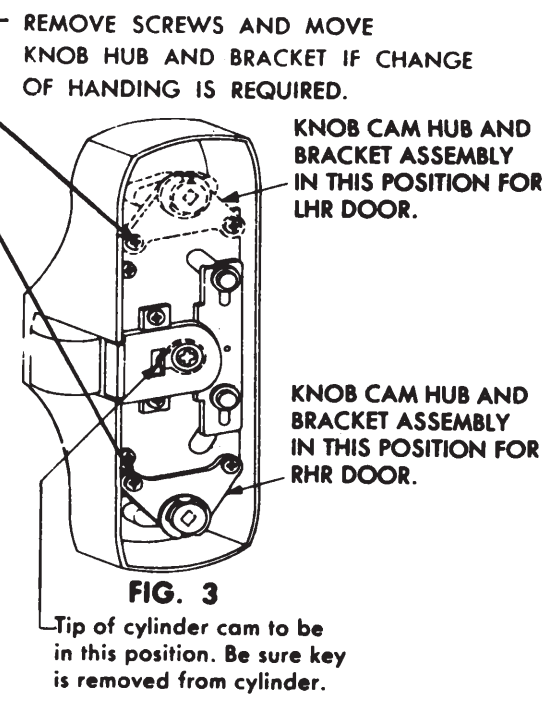
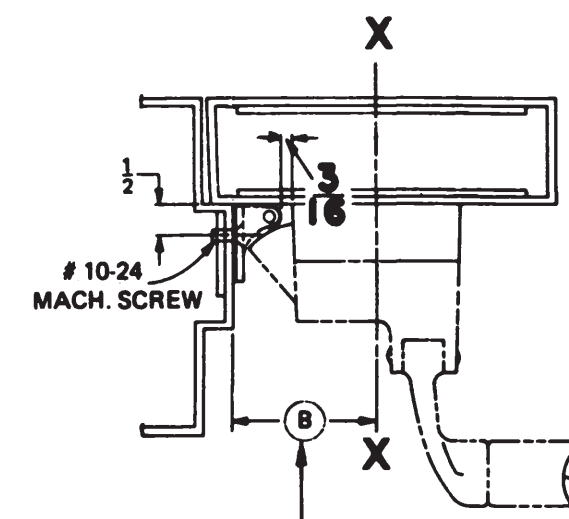
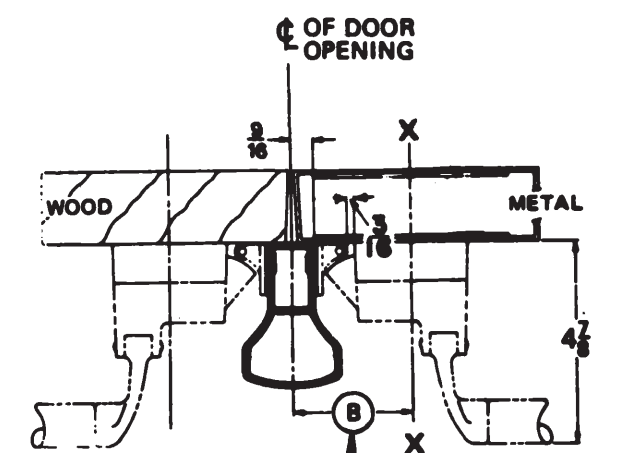


FIG. 3



SINGLE DOOR INSTALLATION

STRIKE	DIMENSION (B)	MIN. STILE
299/299F (shown)	2-3/8	4-3/8
264	2-1/8	4-1/8
1606	1-15/16	3-15/16

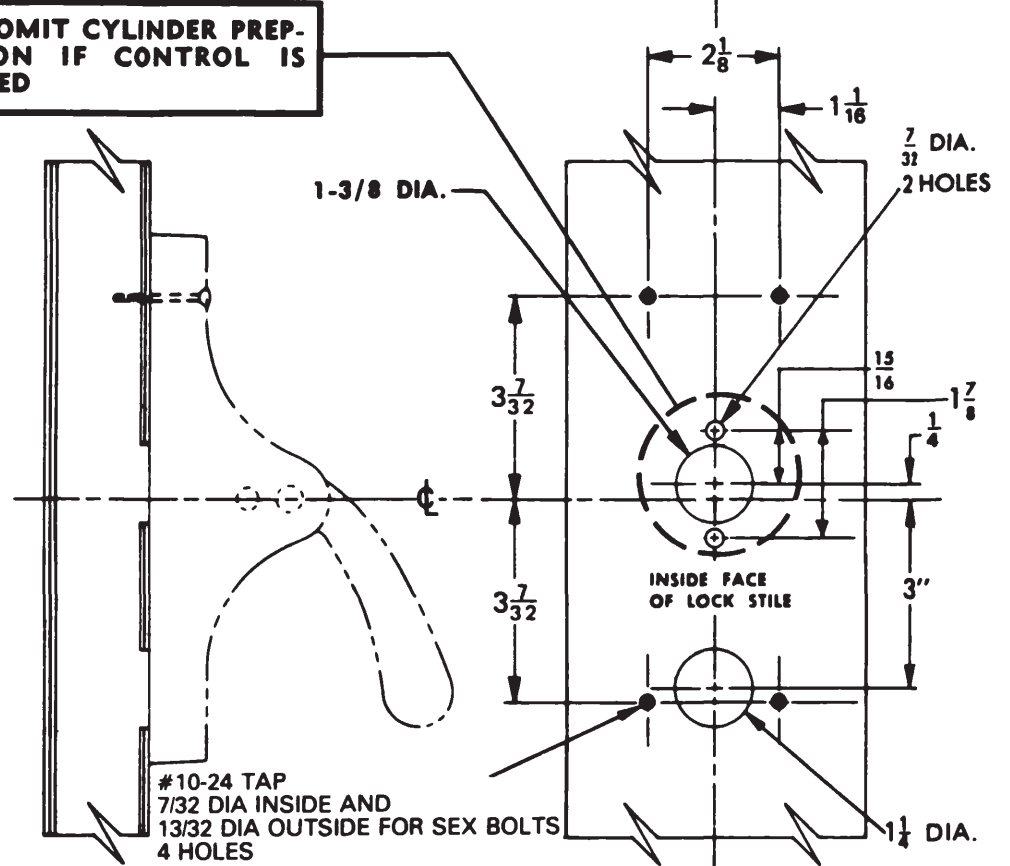


DOUBLE DOOR INSTALLATION WITH VON DUPRIN MULLIONS

MULLION & STRIKE	DIMENSION (B)	MIN. STILE
5254/5654 x 299/299F (shown)	2-15/16	4-1/4
5654 or 5254 x 264	2-11/16	4"

ILLUST. 1

NOTE: OMIT CYLINDER PREPARATION IF CONTROL IS SPECIFIED



METAL DOOR APPLICATION
FIG. 2

SINGLE DOOR OPENING
39-13/16 TO FINISHED FLOOR

THRESHOLD NO.	TO-FIN. FLOOR
ALL THRESHOLDS	39-11/16
NO THRESHOLD (FLAT SILL)	39-11/16

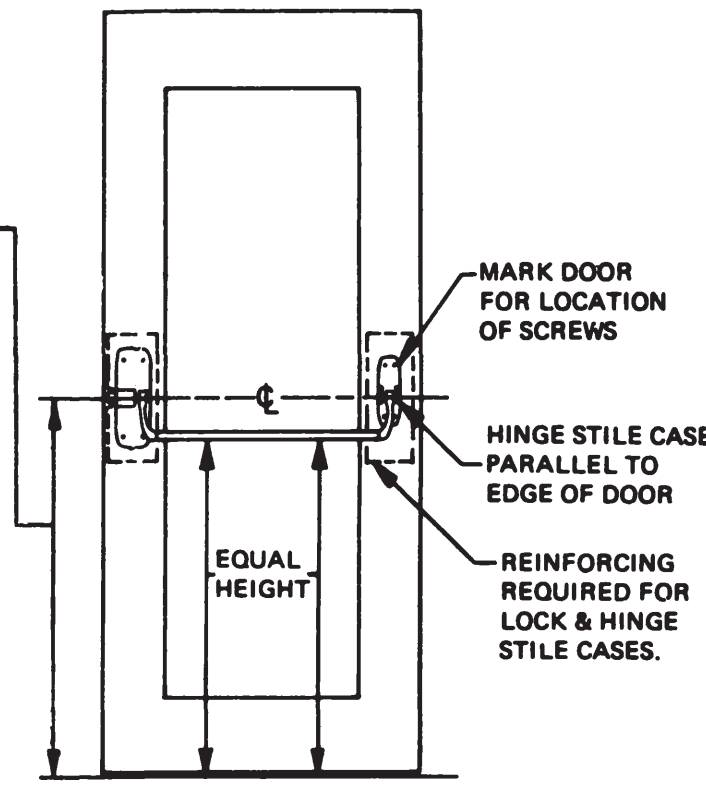
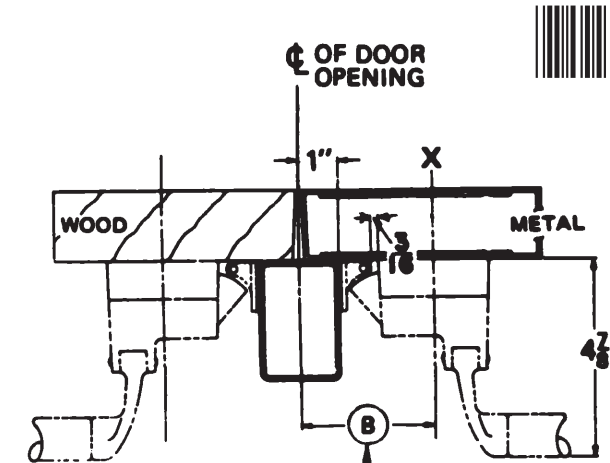


FIG. 4



DOUBLE DOOR INSTALLATION WITH VON DUPRIN MULLIONS

MULLION & STRIKE	DIMENSION (B)	MIN. STILE
4954 x 299/299F (shown)	3-3/8	4-11/16
4954 x 264	3-1/8	4-7/16
1654 x 1606	2-15/16	4-1/4

ILLUST. 2

Customer Service

1-877-671-7011 www.allegion.com/us

DESCRIPTION

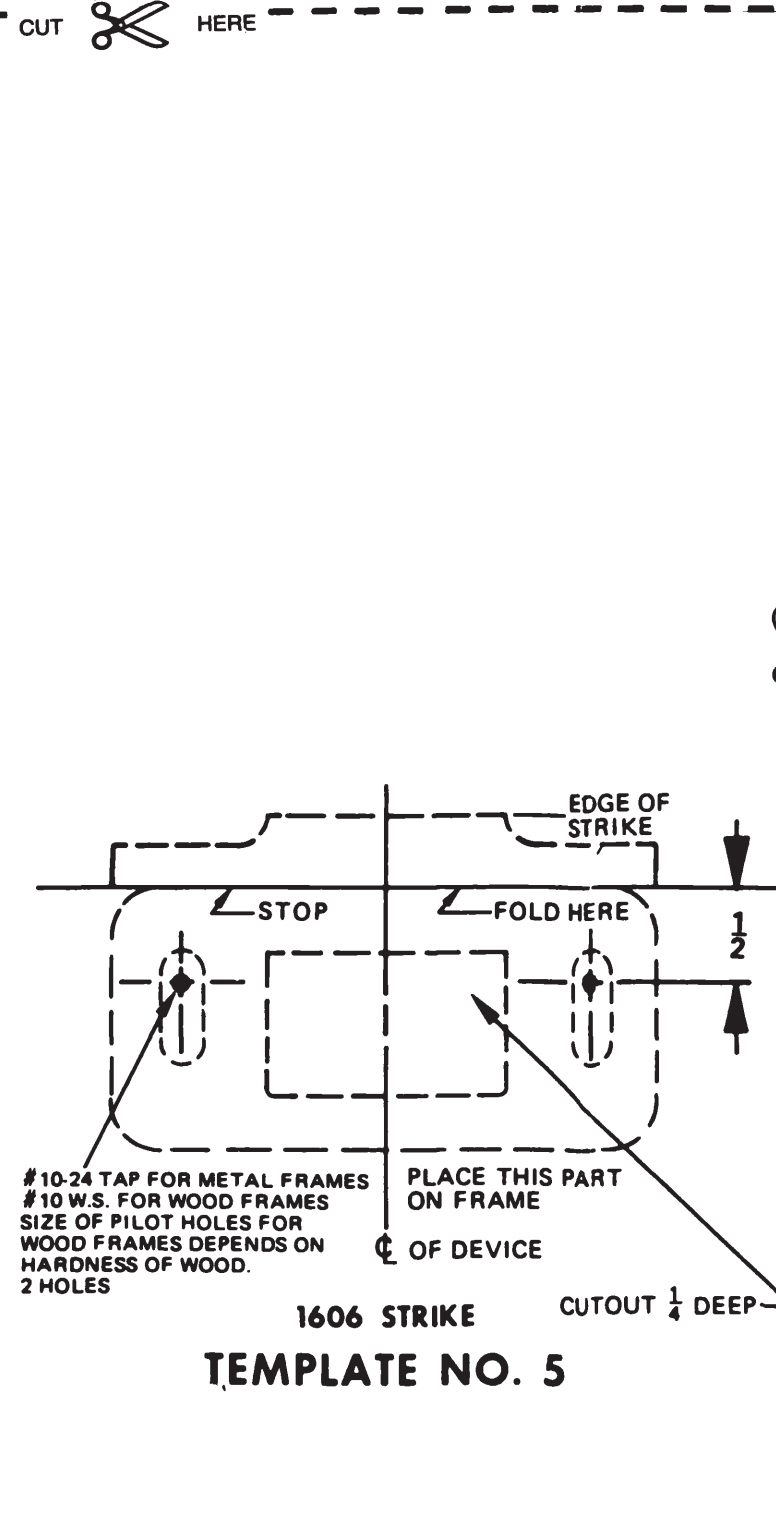
88K SERIES RIM DEVICES

VON DUPRIN

DIRECTION NUMBER 911158-00 (b) DATE 06/14

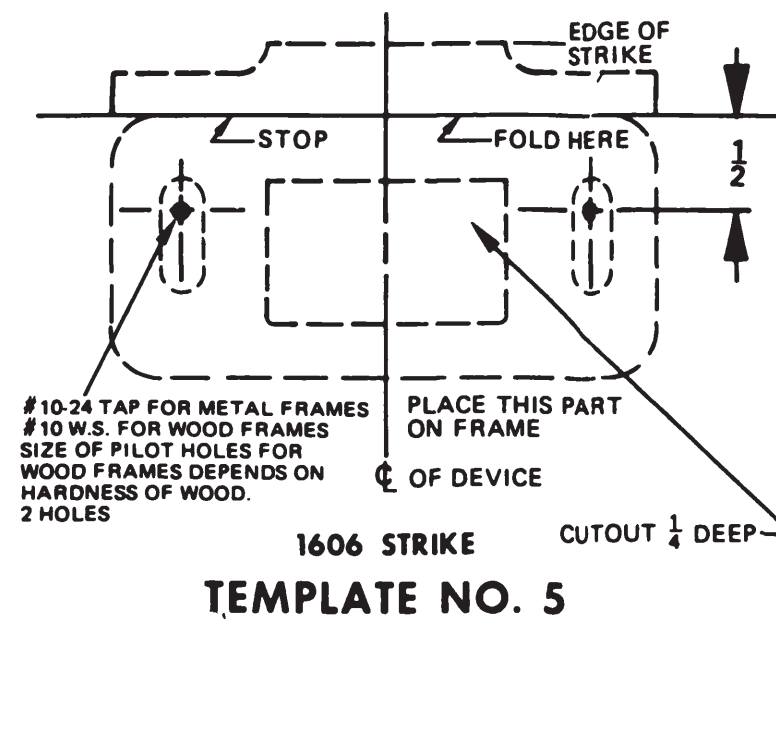
CUT HERE

CUT HERE



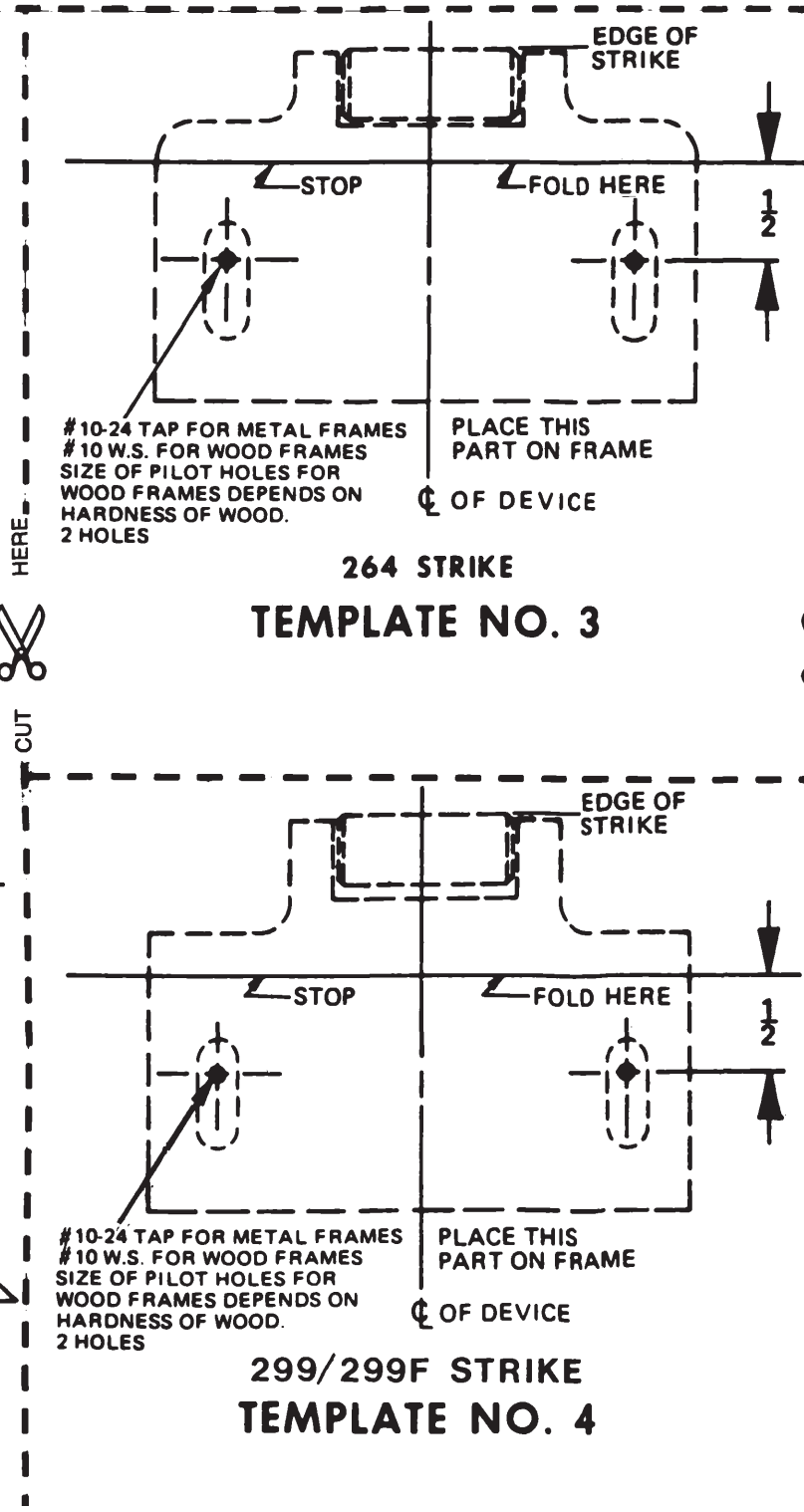
264 STRIKE
TEMPLATE NO. 3

LOCK CASE TEMPLATE FOR LHR DOOR



1606 STRIKE
TEMPLATE NO. 5

LOCK CASE TEMPLATE FOR RHR DOOR

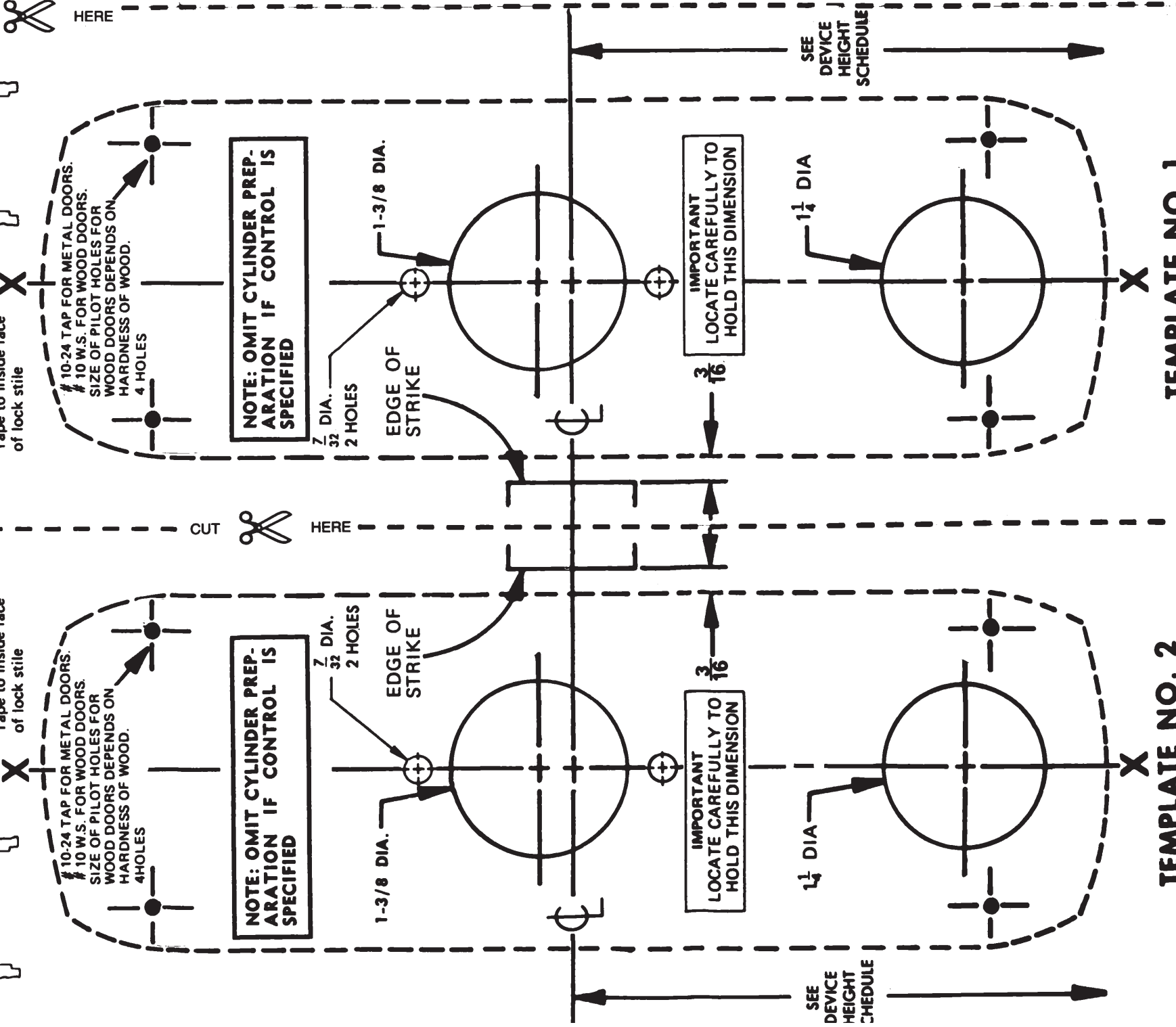


299/299F STRIKE
TEMPLATE NO. 4

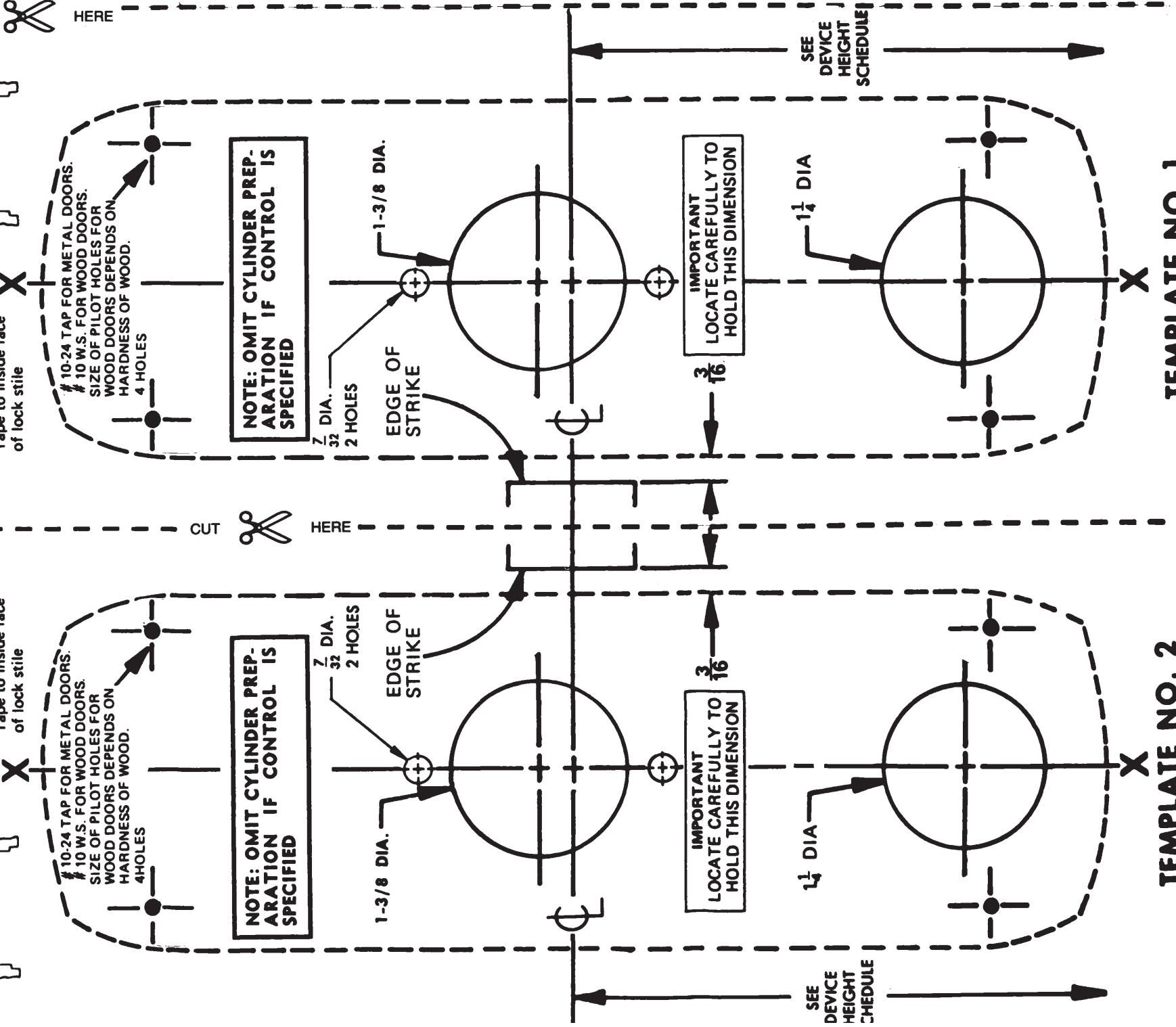
LOCK CASE TEMPLATE FOR RHR DOOR

CUT HERE

CUT HERE



TEMPLATE NO. 1



TEMPLATE NO. 2

SEE DEVICE HEIGHT SCHEDULE

SEE DEVICE HEIGHT SCHEDULE