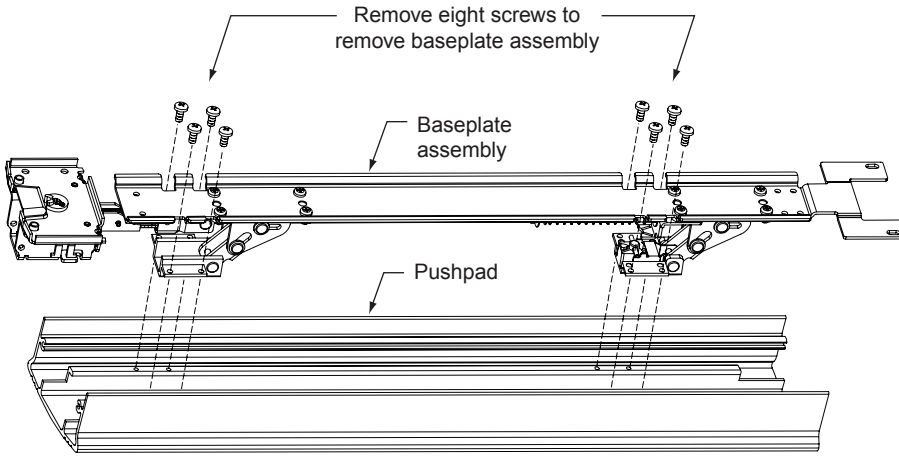




24045429

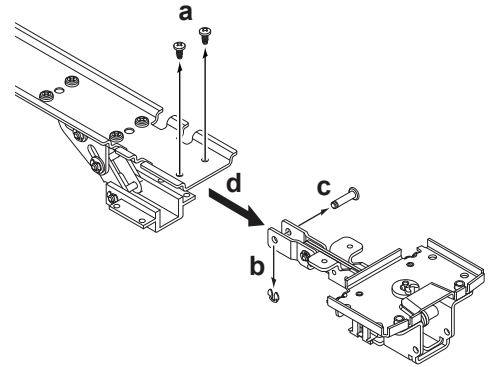
1 Remove Device from Door if Installed (See Device Instructions)

2 Remove Existing Baseplate Assembly from Pushpad



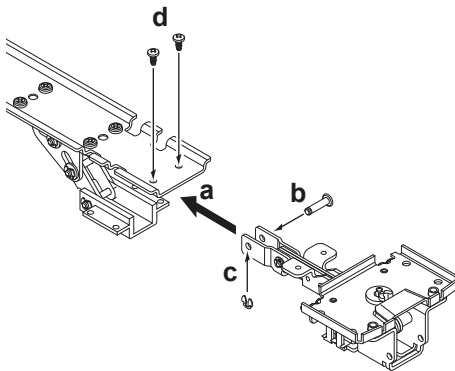
3 Remove Center Case from Existing Baseplate

- a. Remove 2 screws
- b. Remove retaining ring
- c. Remove link pin
- d. Remove center case from existing baseplate, and discard baseplate



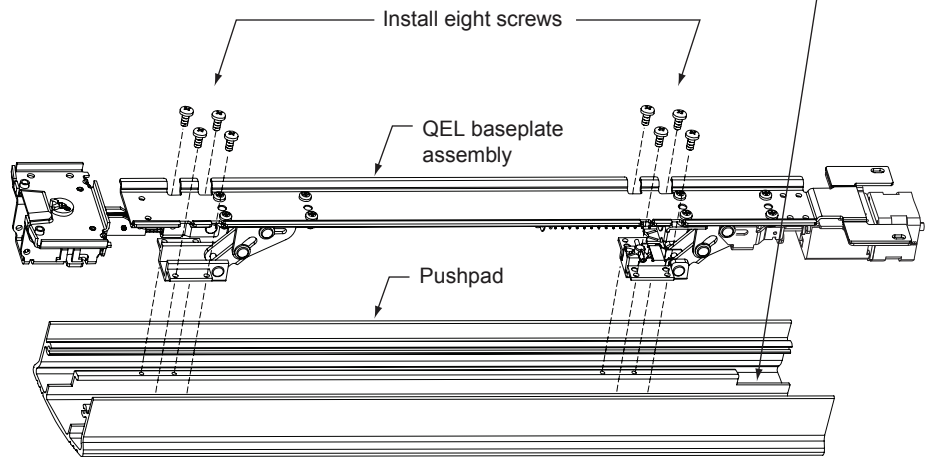
4 Install Center Case onto New QEL Baseplate Assembly

- a. Position center case to new baseplate
- b. Reinsert link pin to connect bracket on center case with action rod on baseplate
- c. Install new retaining ring (two are included with kit, one provided as a spare)
- d. Reinstall 2 screws



5 Install New Pushpad onto New QEL Baseplate Assembly

Rotate pushpad so that longer notch is on the same end as the QEL motor



6 Install Device per Supplied Installation Instructions

Customer Service

1-877-671-7011 www.allegion.com/us

