



941256-00

Dogging Indicator Kit

VON DUPRIN®

Installation Instructions

GENERAL INFORMATION

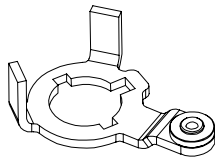
The dogging indicator kit provides visual feedback to the user showing whether the exit device is dogged or undogged. The light flashes when device is undogged.

Compatible with:	Device	Dogging	Length
	98/99 Standard & XP	Hex & CD	3' and 4'

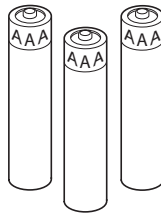
This kit is not compatible with devices produced before 9/97, which have an older dogging design. The Cylinder Dogging (CD) version of this kit requires a standard 1-1/4" mortise cylinder. A cylinder is not furnished with this kit and must be specified when ordering.

PARTS LIST

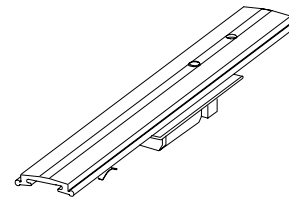
Hex Dogging Version



Actuator Arm

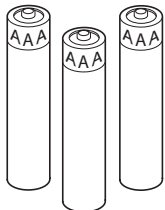


Batteries (AAA)

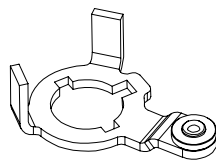


Cover Plate with Indicator

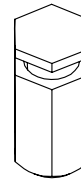
Cylinder Dogging (CD) Version



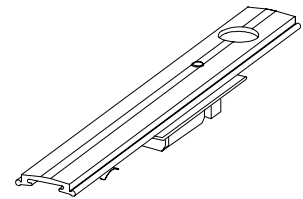
Batteries (AAA)



Actuator Arm

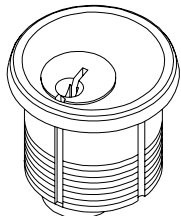


CD Dogging Plug

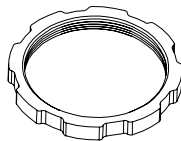


Cover Plate with Indicator

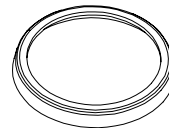
NOT PROVIDED



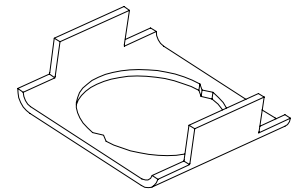
Standard 1-1/4" Mortise Cylinder



Cylinder Lock Nut



Cylinder Collar



Cylinder Locating Washer



Customer Service

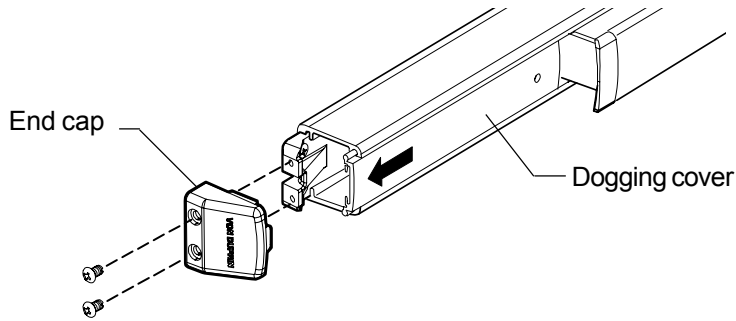
1-877-671-7011

www.allegion.com/us

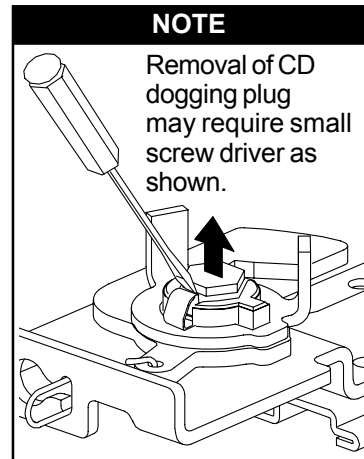
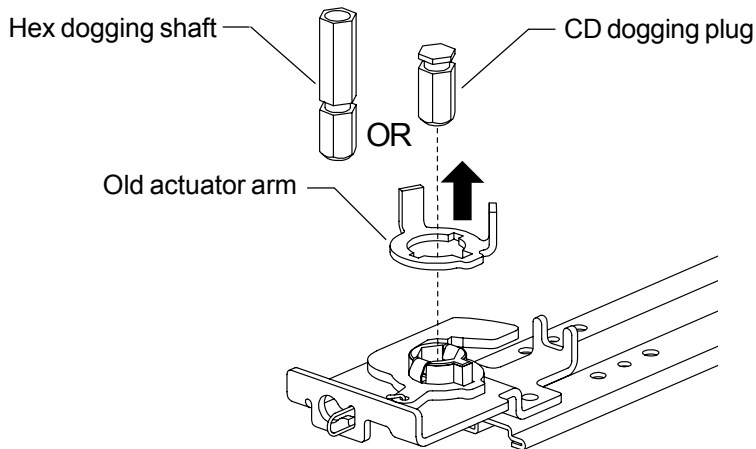
© Allegion 2014
Printed in U.S.A.
941256-00 Rev. 01/14-b

INSTALLATION

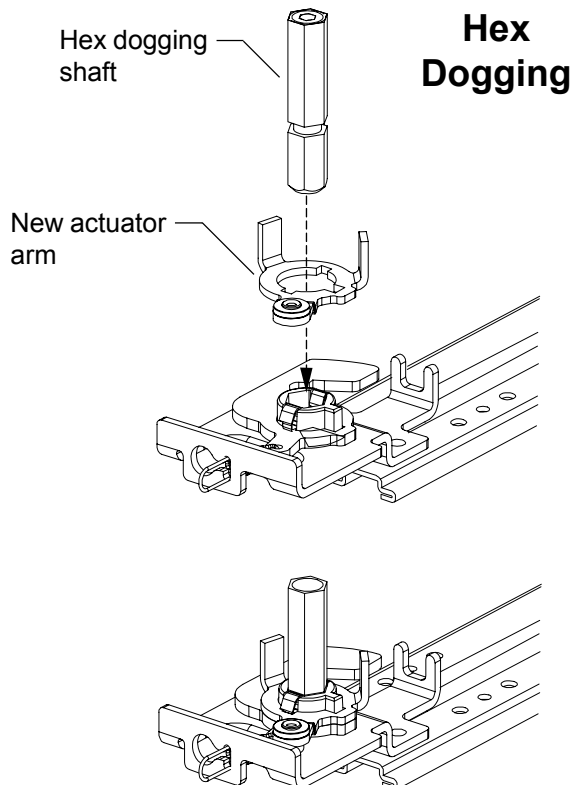
1 Remove the end cap and dogging cover from exit device.



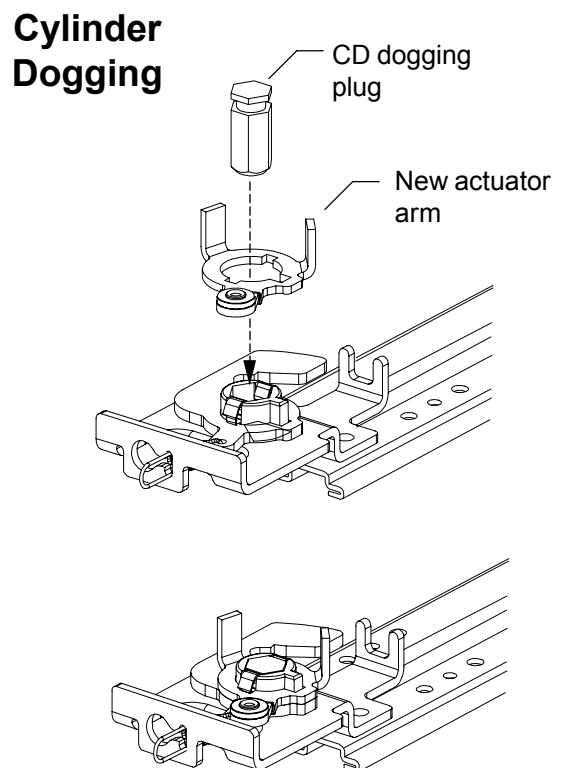
2 Remove hex dogging shaft or CD dogging plug, and old actuator arm.



3 Install new actuator arm, then hex dogging shaft or cylinder dogging (CD) plug.

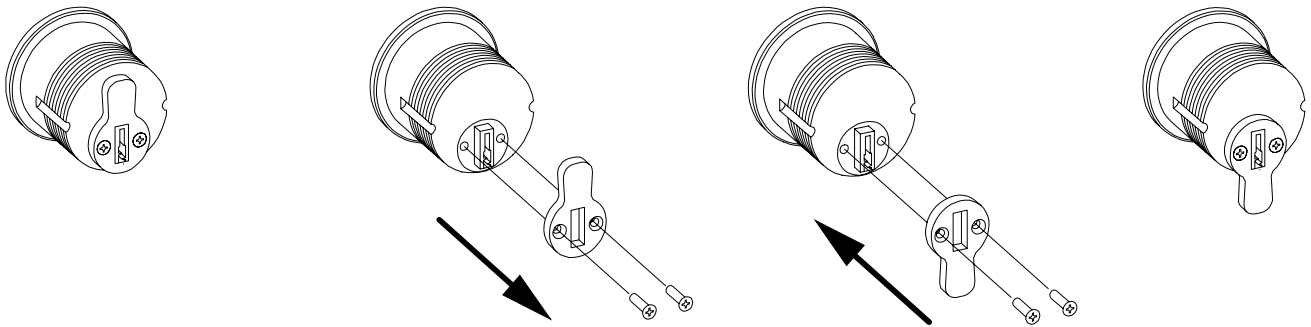


OR

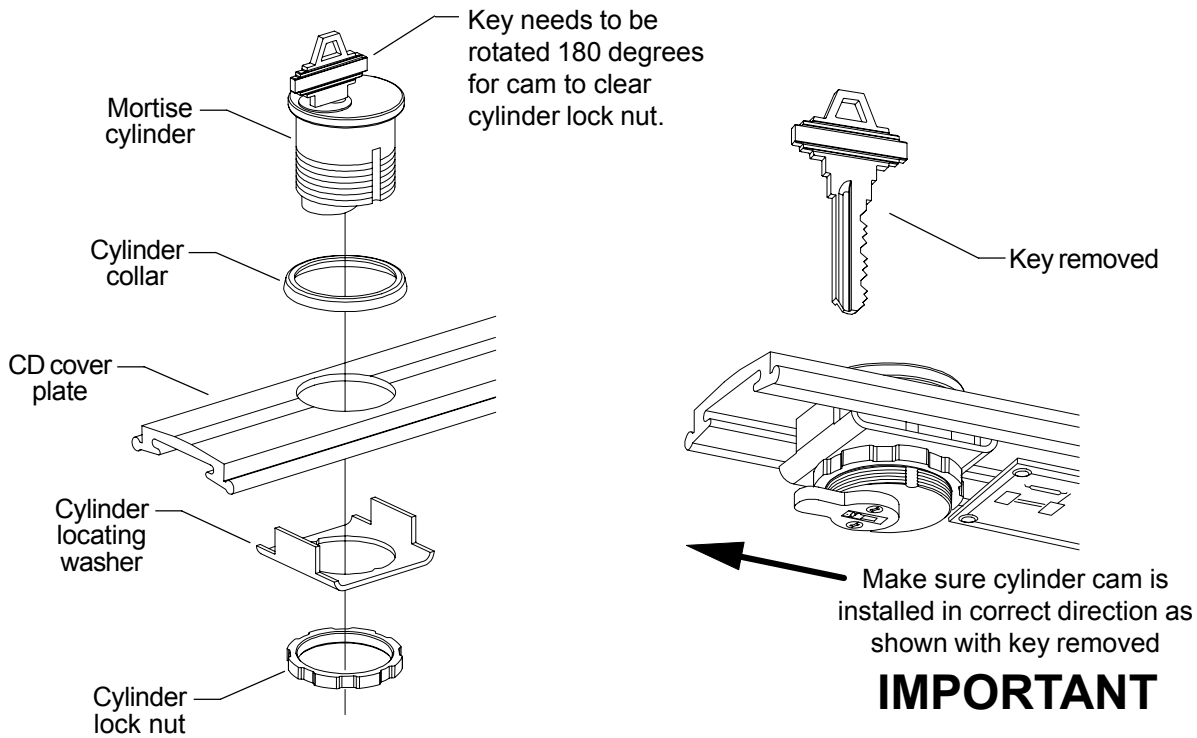


4 For hex dogging application, go to step 7. For cylinder dogging application, go to step 5.

5 Reverse mortise cylinder cam as shown (with key removed).

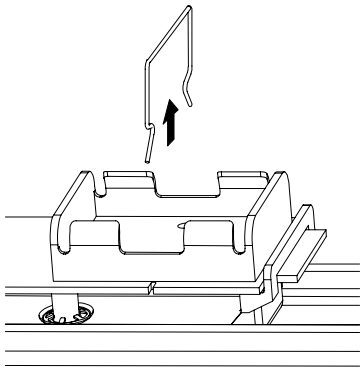


6 Install mortise cylinder into cover plate and verify that cam is correct direction.

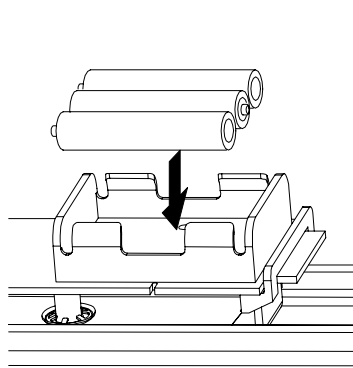


7 Install batteries and battery retainer.

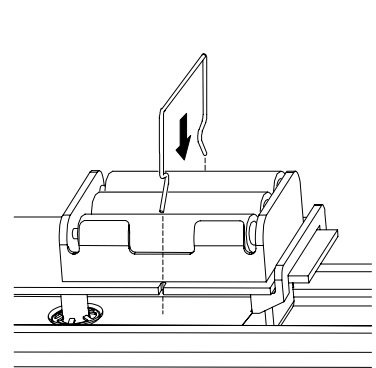
A. Remove retainer



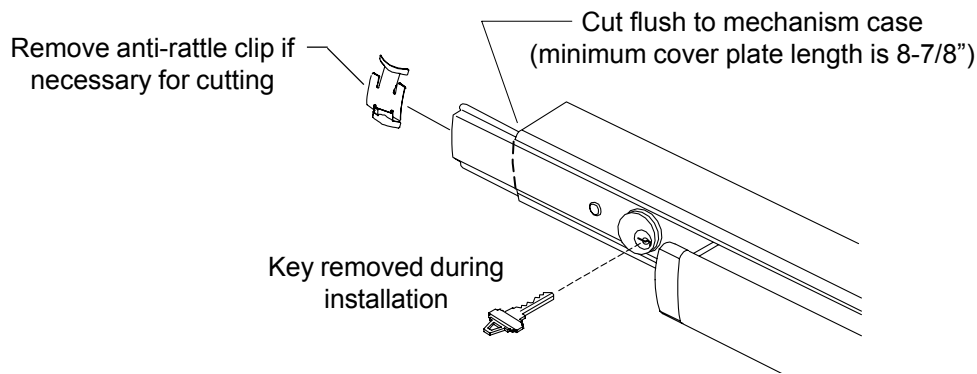
B. Install three AAA batteries



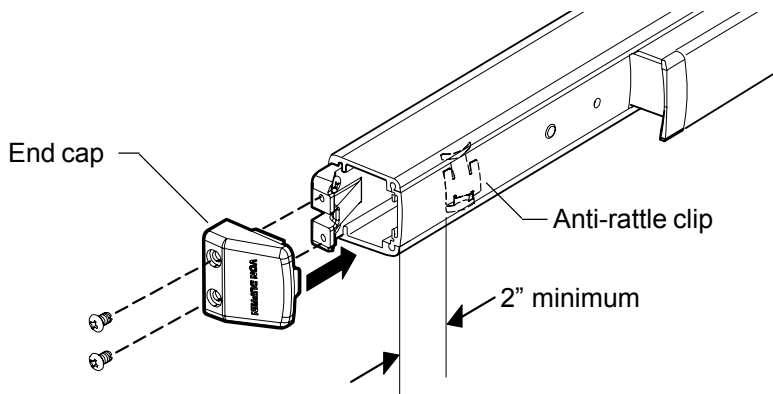
C. Install retainer



8 Install new cover plate and cut to proper length (if required).



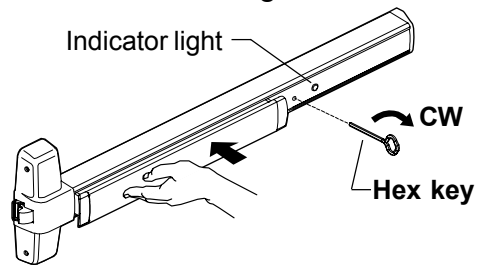
9 Install the end cap.



DOGGING INDICATOR FUNCTIONAL TEST

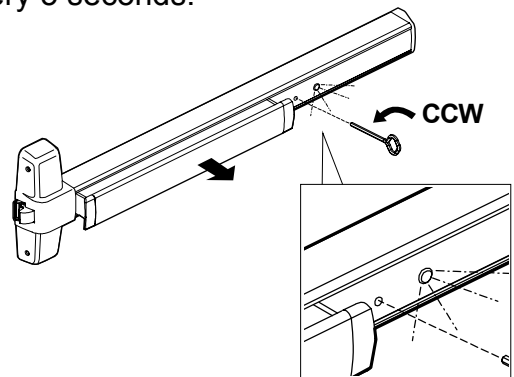
Note: Hex dogging shown below. Cylinder dogging is the same except it uses key in cylinder rather than hex key in hole.

1. Depress pushbar and hold.
2. Place hex key in hole as shown and turn clockwise. Push bar stays in down position.
3. Device is now dogged and indicator light should not be flashing.



DOGGED - NOT FLASHING

4. To undog device, place hex key in hole as shown and turn counterclockwise releasing pushbar.
5. With device undogged, light should flash every 5 seconds.



UNDOGGED - FLASHING

BATTERY LOW INDICATION

When battery is low, the indicator light will double flash every 5 seconds. Then the batteries should be changed within 3 days.