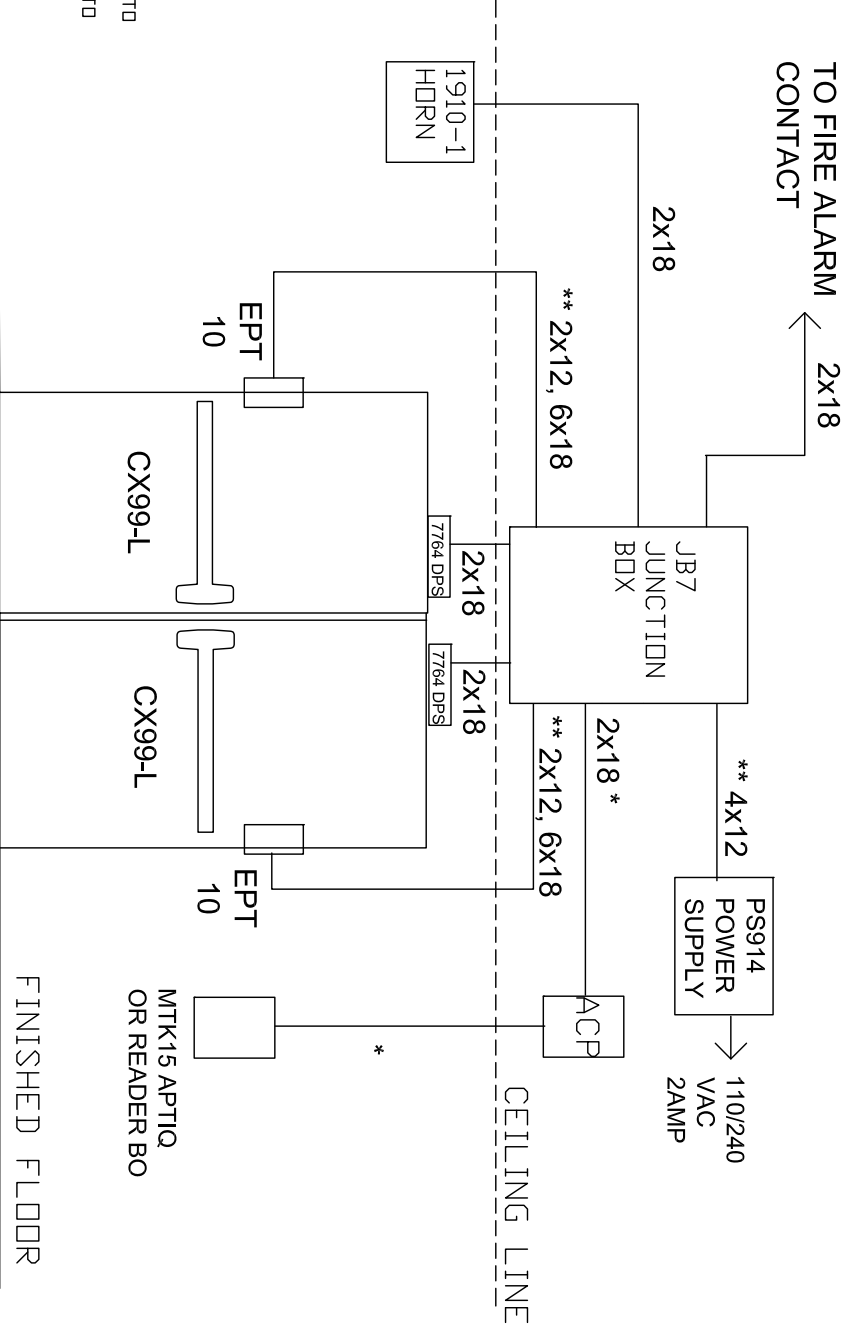


THIS DIAGRAM REPRESENTS A GENERIC CONFIGURATION. CUSTOM WIRING DIAGRAMS CAN BE ACQUIRED BY CONTACTING TECHNICAL SUPPORT.



** USE 12 GAUGE WIRE FOR DISTANCES UP TO 200' FROM EPT TO PS914 OR USE 14 GAUGE FOR DISTANCES UP TO 100' FROM EPT TO PS914

NOTES:
 1) ALL LOW VOLTAGE WIRING TO BE STANDARD MULTI-CONDUCTOR COLOR CODED WITHOUT SPLICES.
 2) WIRING TO CONFORM TO APPLICABLE NATIONAL, STATE AND LOCAL ELECTRICAL CODES.
 3) REFER TO SPECIFIC PRODUCT INSTALLATION INSTRUCTIONS FOR SPECIFIC WIRING REQUIREMENTS.
 4) THIS DRAWING IS FOR GRAPHICAL REPRESENTATION OF PRODUCTS DETAILED IN THE HARDWARE SET ONLY. THAT IS NOT SHOWN HERE. CONSULT PROVIDER FOR DETAILS.

HARDWARE USED:	
2	CX99-L RIM DEVICE
2	EPT10
2	7764 DPS
1	JB7 JUNCTION BOX
1	MULLION
1	1910-1 HORN
1	PS914
1	MTK15 READER BY ACP BO
1	FIRE ALARM CONTACT

OPERATION:	
CHECKS TO PROVIDE DELAY EGRESS, WHEN CX IS IN ALARM AUDIBLE WILL SOUND IN CX DEVICE AND EXTERNAL 1910-1 HORN.	
FIRE ALARM TO RELEASE DOORS FOR IMMEDIATE EGRESS.	
STAGGER REARM TIMES ON CX DEVICES BY SETTING SWITCHES ON CX PCB DIFFERENTIALLY.	
MTK15 READER TO RELEASE BOTH CX THROUGH ACP CONTROL CONTACT FOR AUTHORIZED PASSAGE. MTK15 OR KEYSWITCH IN CX DEVICE TO RESET CX FROM ALARM.	
IN THIS EXAMPLE ALL WIRING CONNECTIONS ARE MADE IN JB7 JUNCTION BOX.	

TITLE:
ALLEGION™
 CX DOUBLE DOOR CX WITH PS914

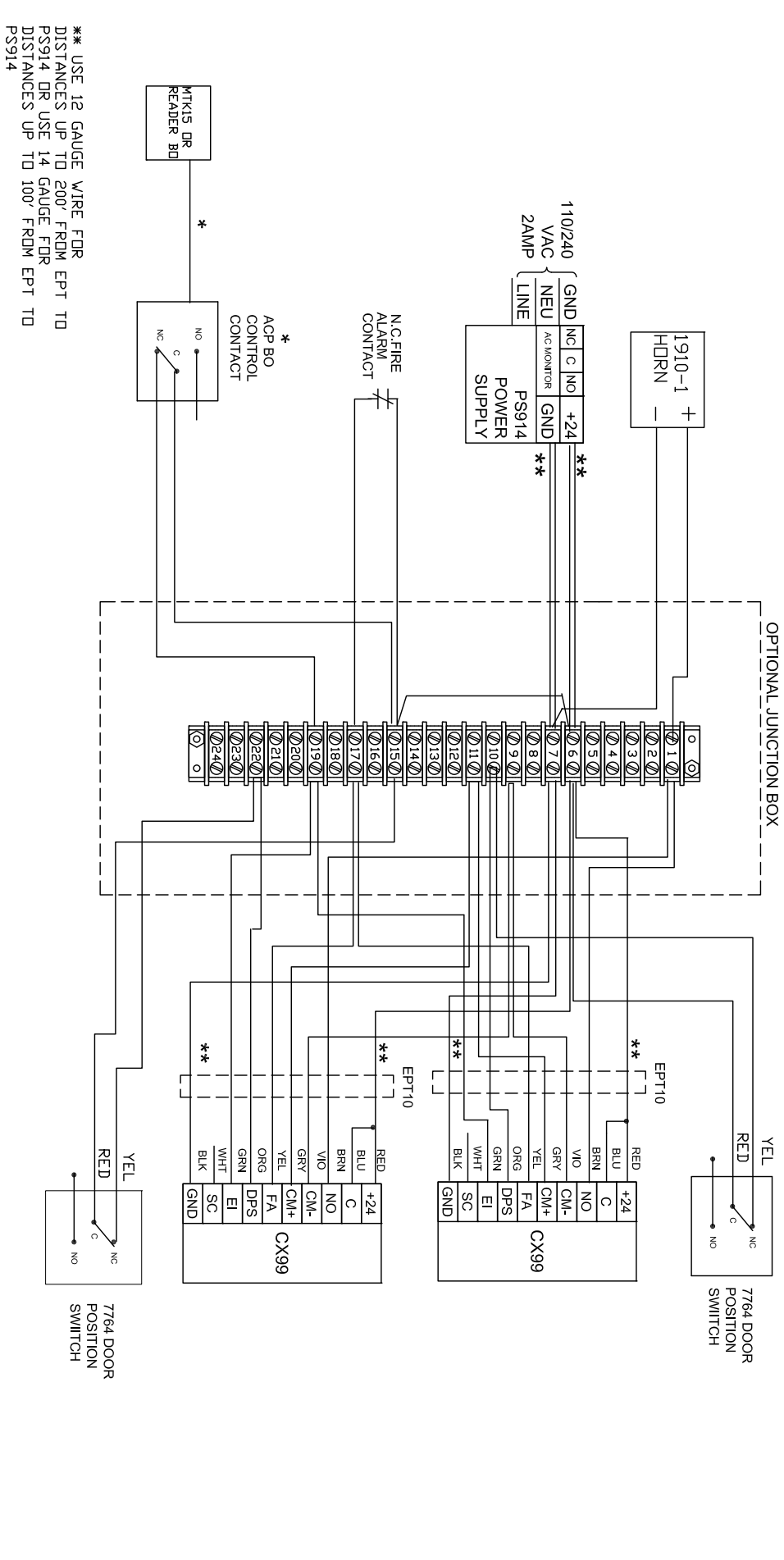
DRAWING TYPE:
 RISER DIAGRAM

DWG NO.: 109520
 DRAWING CHECKED BY: B DOVE

DATE DRAWN: 4-22-13
 REVISION DATE: 4-22-13

REV: A

THIS DIAGRAM REPRESENTS A GENERIC CONFIGURATION. CUSTOM WIRING DIAGRAMS CAN BE ACQUIRED BY CONTACTING TECHNICAL SUPPORT.



NOTES:
 1) ALL LOW VOLTAGE WIRING TO BE STANDARD, MULTI-CONDUCTOR COLOR CODED WITHOUT SPLICES.
 2) WIRING TO CONFORM TO APPLICABLE NATIONAL, STATE AND LOCAL ELECTRICAL CODES.
 3) REFER TO SPECIFIC PRODUCT INSTALLATION INSTRUCTIONS FOR SPECIFIC WIRING REQUIREMENTS.
 4) THIS DRAWING IS FOR GRAPHICAL REPRESENTATION OF PRODUCTS DETAILED IN THE HARDWARE SET ONLY. 5) ADDITIONAL WIRING WILL BE REQUIRED FROM ACP THAT IS NOT SHOWN HERE. CONSULT PROVIDER FOR DETAILS.

HARDWARE USED:
 2 CX 98/99-L RIM DEVICE
 2 EPT10
 1 7764 DPS
 1 JBT JUNCTION BOX
 1 MULLDN
 1 1910-1 HORN
 1 PS914
 1 MTK15 READER BY ACP BD
 1 FIRE ALARM CONTACT

TYPE
 DELAYED EGRESS
 DOUBLE DOOR

OPERATION:
 CHECKS TO PROVIDE DELAY EGRESS. WHEN CX IS IN ALARM AUDIBLE WILL SOUND IN CX DEVICE AND EXTERNAL 1910-1 HORNS.
 FIRE ALARM TO RELEASE DOORS FOR IMMEDIATE EGRESS.
 STAGGER REARM TIMES ON CX DEVICES BY SETTING SWITCHES ON CX PCB DIFFERENTIALLY.
 MTK15 READER TO RELEASE BOTH CX THROUGH ACP CONTROL CONTACT FOR AUTHORIZED PASSAGE. MTK15 OR KEYSWITCH IN CX DEVICE TO RESET CX FROM ALARM.
 IN THIS EXAMPLE ALL WIRING CONNECTIONS ARE MADE IN JBT JUNCTION BOX.

DATE DRAWN: 4-22-13
 REVISION DATE: 4-22-13
 copyright 2013

ALLEGION™

MODEL: CX DOUBLE DOOR CX WITH PS914

DWG NO: 109520
 DRAWN/CHECKED BY: B DOVE
 REV: A