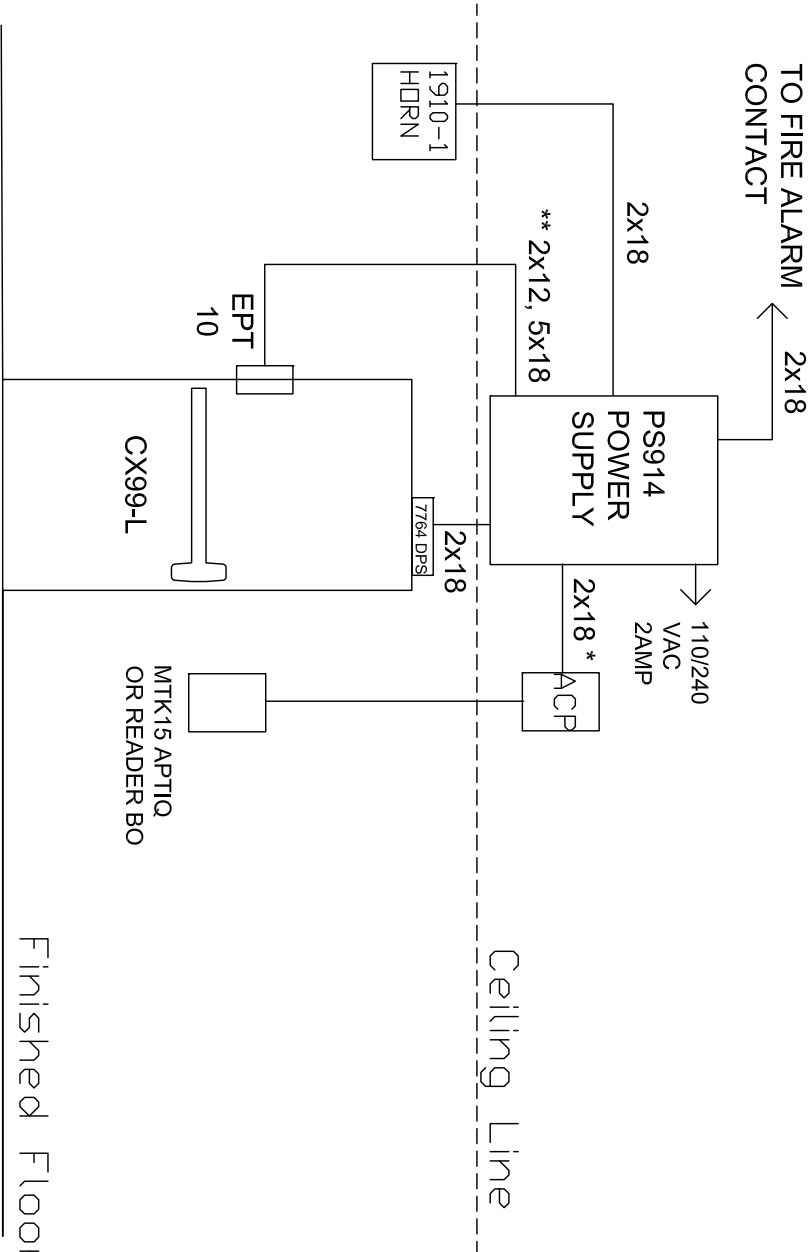


THIS DIAGRAM REPRESENTS A GENERIC CONFIGURATION. CUSTOM WIRING DIAGRAMS CAN BE ACQUIRED BY CONTACTING TECHNICAL SUPPORT.



\*\* USE 12 GAUGE WIRE FOR DISTANCES UP TO 200' FROM EPT TO PS914 OR USE 14 GAUGE FOR DISTANCES UP TO 100' FROM EPT TO PS914

- NOTES:
- 1) ALL LOW VOLTAGE WIRING TO BE STANDARD, MULTI-CONDUCTOR COLOR CODED WITHOUT SPLICES.
  - 2) WIRING TO CONFORM TO APPLICABLE NATIONAL, STATE AND LOCAL ELECTRICAL CODES.
  - 3) REFER TO SPECIFIC PRODUCT INSTALLATION INSTRUCTIONS FOR SPECIFIC WIRING REQUIREMENTS.
  - 4) THIS DRAWING IS FOR GRAPHICAL REPRESENTATION OF PRODUCTS DETAILED IN THE HARDWARE SET ONLY. THAT IS NOT SHOWN HERE. CONSULT PROVIDER FOR DETAILS.
  - 5) ADDITIONAL WIRING WILL BE REQUIRED FROM ACP

HARDWARE USED:	
TYPE	1 CX 987/99-L RIM DEVICE
	1 EPT10
	1 7764 DPS
	1 1910-1 HDRN
	1 PS914
	1 MTK15 READER BY ACP BO
	1 FIRE ALARM CONTACT
	1 DELAYED EGRESS SINGLE DOOR

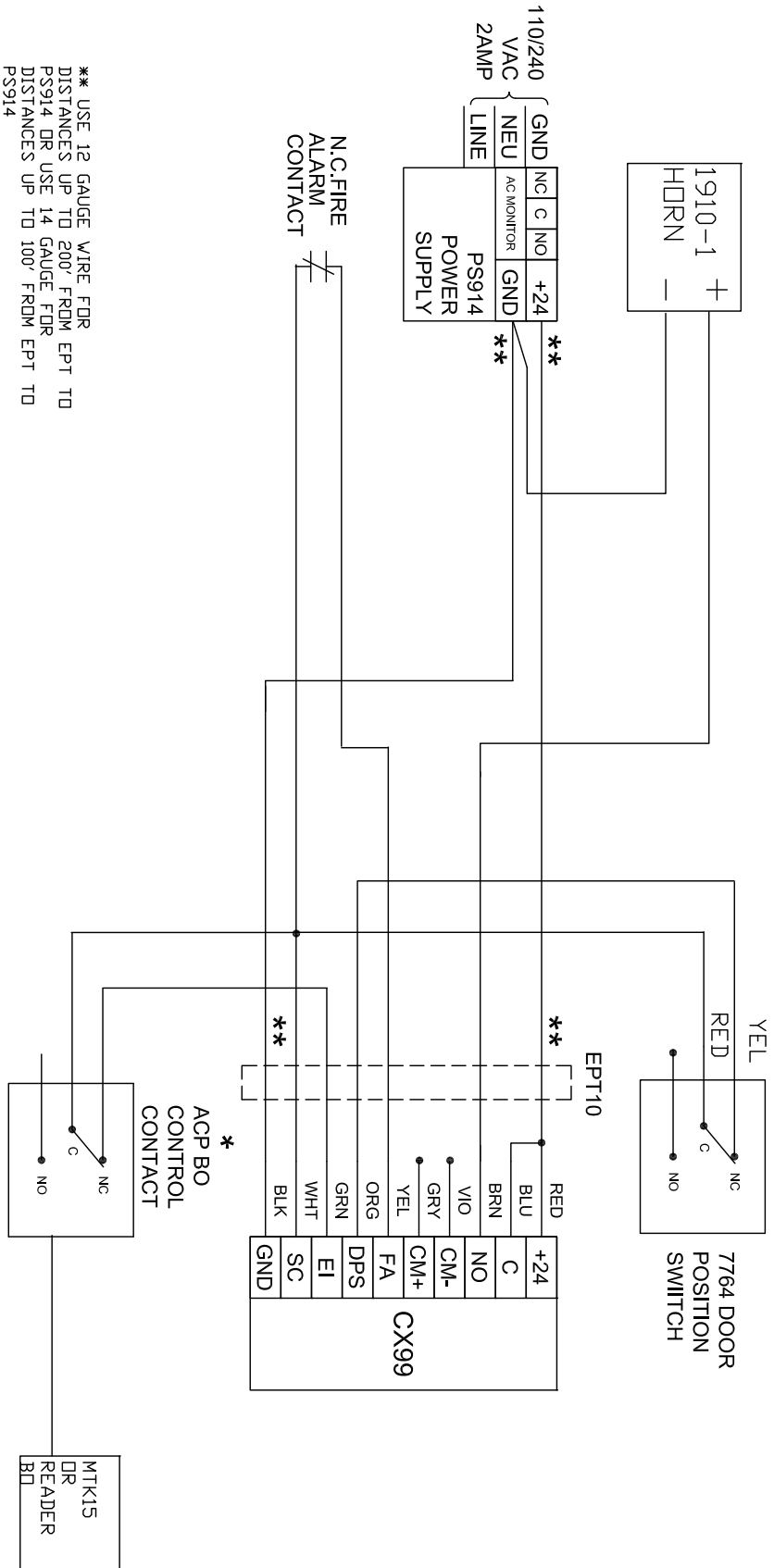
OPERATION:	
DATE DRAWN	4-22-13
REVISION DATE	4-22-13
CHECKIT TO PROVIDE DELAY EGRESS. WHEN CX IS IN ALARM AUDIBLE WILL SOUND IN CX DEVICE AND EXTERNAL 1910-1 HORN. FIRE ALARM TO RELEASE DOOR FOR IMMEDIATE EGRESS. MTK15 READER TO RELEASE CX THROUGH ACP CONTROL CONTACT FOR AUTHORIZED PASSAGE. MTK15 OR KEYSWITCH IN CX DEVICE TO RESET CX FROM ALARM. IN THIS EXAMPLE ALL WIRING CONNECTIONS ARE MADE IN PS914 ENCLOSURE.	

TITLE: CX SINGLE DOOR CX WITH PS914

**ALLEGIION™**

DRAWING TYPE	DWG NO.	REV
RISER DIAGRAM	109519	A
	DRAWING CHECKED BY: B DOVE	

THIS DIAGRAM REPRESENTS A GENERIC CONFIGURATION. CUSTOM WIRING DIAGRAMS CAN BE ACQUIRED BY CONTACTING TECHNICAL SUPPORT.



\*\* USE 12 GAUGE WIRE FOR DISTANCES UP TO 200' FROM PS914 OR USE 14 GAUGE FOR DISTANCES UP TO 100' FROM EPT TO PS914

NOTES:  
 1) ALL LOW VOLTAGE WIRING TO BE STANDARD MULTI-CONDUCTOR COLOR CODED WITHOUT SPLICES.  
 2) WIRING TO CONFORM TO APPLICABLE NATIONAL, STATE AND LOCAL ELECTRICAL CODES.  
 3) REFER TO SPECIFIC PRODUCT INSTALLATION INSTRUCTIONS FOR SPECIFIC WIRING REQUIREMENTS.  
 4) THIS DRAWING IS FOR GRAPHICAL REPRESENTATION OF PRODUCTS DETAILED IN THE HARDWARE SET ONLY.  
 5) ADDITIONAL WIRING WILL BE REQUIRED FROM ACP THAT IS NOT SHOWN HERE. CONSULT PROVIDER FOR DETAILS.

TYPE	HARDWARE USED:
DELAYED EGRESS SINGLE DOOR	1 CX 98/99-L RIM DEVICE 1 EPT10 1 7764 DPS 1 1910-1 HDRN 1 PS914 READER BY ACP BD 1 FIRE ALARM CONTACT

OPERATION:  
 CHEMT TO PROVIDE DELAY EGRESS. WHEN CX IS IN ALARM AUDIBLE WILL SOUND IN CX DEVICE AND EXTERNAL 1910-1 HORN.  
 FIRE ALARM TO RELEASE DOOR FOR IMMEDIATE EGRESS.  
 MTK15 READER TO RELEASE CX THROUGH ACP CONTROL CONTACT FOR AUTHORIZED PASSAGE. MTK15 OR KEYSWITCH IN CX DEVICE TO RESET CX FROM ALARM.  
 IN THIS EXAMPLE ALL WIRING CONNECTIONS ARE MADE IN PS914 ENCLOSURE.

TITLE:  
**ALLEGION™**  
 CX SINGLE DOOR CX WITH PS914

DRAWING TYPE:  
 WIRING DIAGRAM

DWG NO.:  
 109519

DRAWN/CHECKED BY:  
 B DOVE

REV:  
 A