



941066-00

EL-LX/EL-LX-LC

VON DUPRIN®

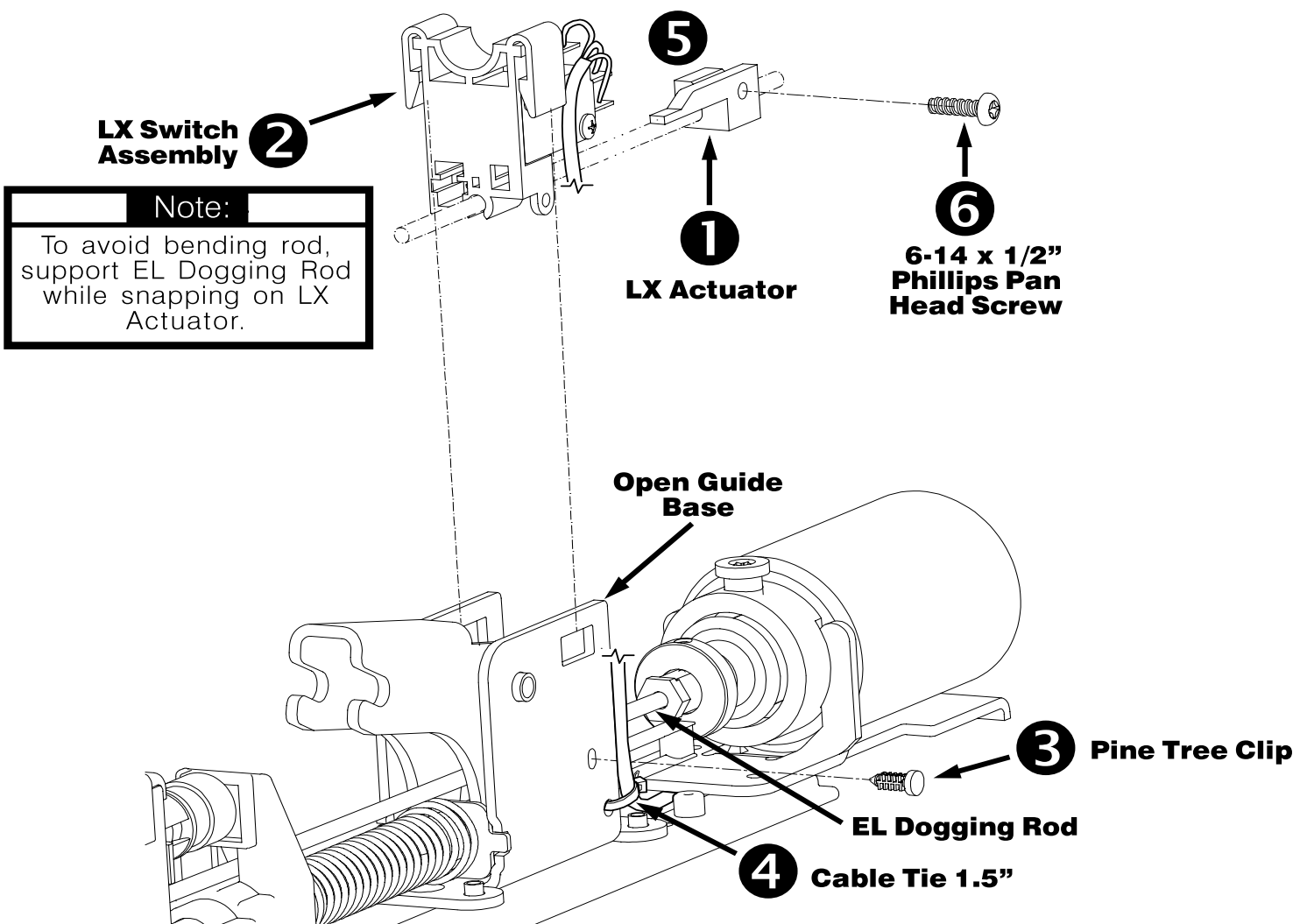
Switch

Installation Instructions

LX - Switch is intended for signaling purposes only and is rated for a maximum 2 ampere resistance load at 24VDC/AC. Use with inductive or capacitive loads (magnetic locks or solenoid devices) derates the capacity of the switch. Consult the factory for assistance.

LX-LC - Switch is intended for systems using low current signals and is rated for a maximum 50mA. Consult the factory for assistance.

1. Attach LX Actuator to EL Dogging Rod. Position part as shown. See note below.
2. Attach LX Switch Assembly to Open Guide Base by snapping into place.
3. Insert Pine Tree Clip through hole in Open Guide Base and into the LX Switch Assembly as shown.
4. Secure switch wires along edge of bracket with cable tie. Ensure wires do not interfere with any moving parts.
5. Slide LX Actuator forward on the rod and through the LX Switch Assembly until desired signal is obtained.
6. Insert screw into hole in LX Actuator to secure position on rod.



Customer Service
 1-877-671-7011 www.allegion.com/us

© Allegion 2014
 Printed in U.S.A.
 941066-00 Rev. 01/14-c