



941922-00

Solenoid Conversion

EL

VON DUPRIN®

Installation Instructions

To Remove Solenoid and Plunger

1. Remove end cap ① and dogging cover ②.
2. Unplug solenoid from cable ③.
3. Remove device from door.
4. Remove mechanism case.
5. Loosen cap screw ④.
6. Remove threaded bushing ⑤.
7. Remove dog screw, ⑥ if present.
8. Remove EL dogging spring ⑦.
9. Loosen jam nut ⑩ if present.
10. Remove solenoid ⑧, plunger ⑨ and bracket ⑪ (if present).

To Install New Solenoid and Plunger

1. Install new solenoid and plunger assembly ⑬.
2. Install threaded bushing ⑤.
3. Replace mechanism case.
4. Place device on door and adjust for proper mechanical operation.
5. Adjust solenoid - manually move plunger into seat, latch bolt must be flush and plunger must be fully seated in solenoid. When solenoid is released, latch bolt must be fully extended.

Latch Bolt Extension	
Rim devices	3/4"
Mortise device	3/4"
Vertical devices	5/8"

Adjust threaded bushing ⑤ in or out as required.

6. Tighten cap screw ④.
7. Plug potted circuit board ⑫ into solenoid ⑬ (three pin connector and cable ③ (two pin connector)).
8. Replace dogging cover end cap.
9. Check electrical operations.
10. Check latch bolt for retracted condition when solenoid is energized.
11. If latch bolt is not retracted, hold plunger ⑨ fully retracted with thumb and adjust threaded bushing ⑤ until latch bolt position is correct.

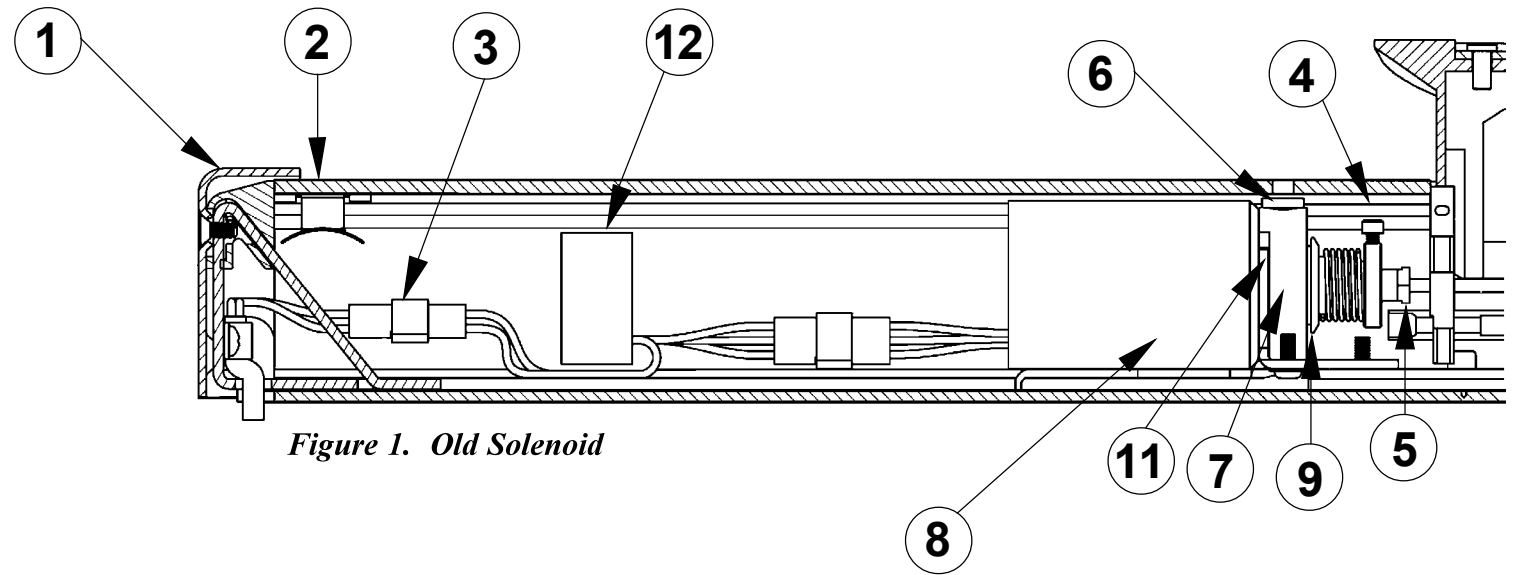


Figure 1. Old Solenoid

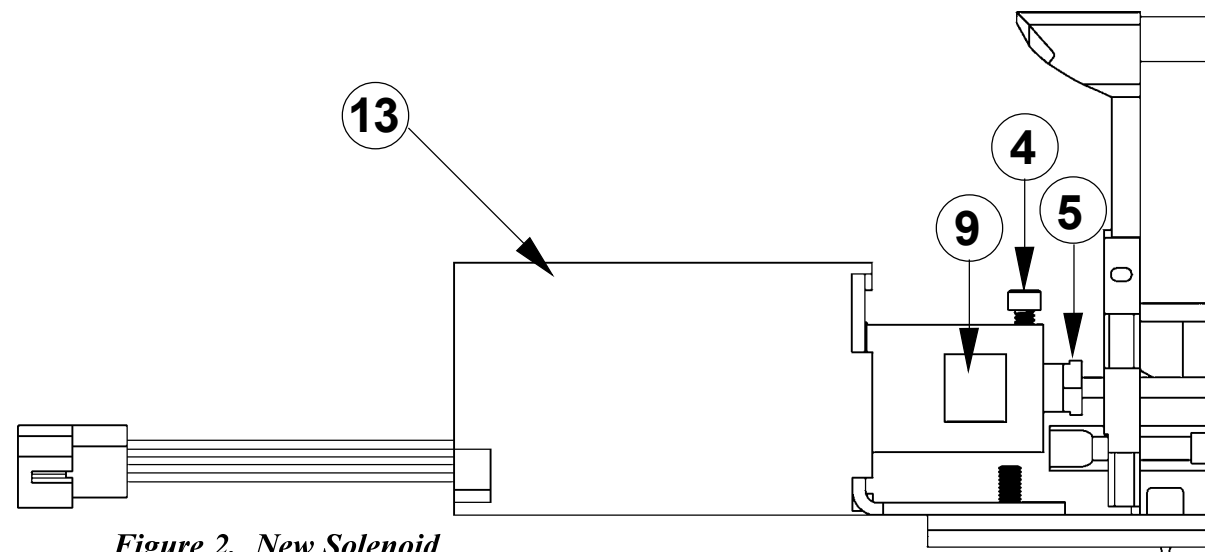


Figure 2. New Solenoid

Customer Service
1-877-671-7011 www.allegion.com/us



© Allegion 2014
Printed in U.S.A.
941922-00 Rev. 01/14-b