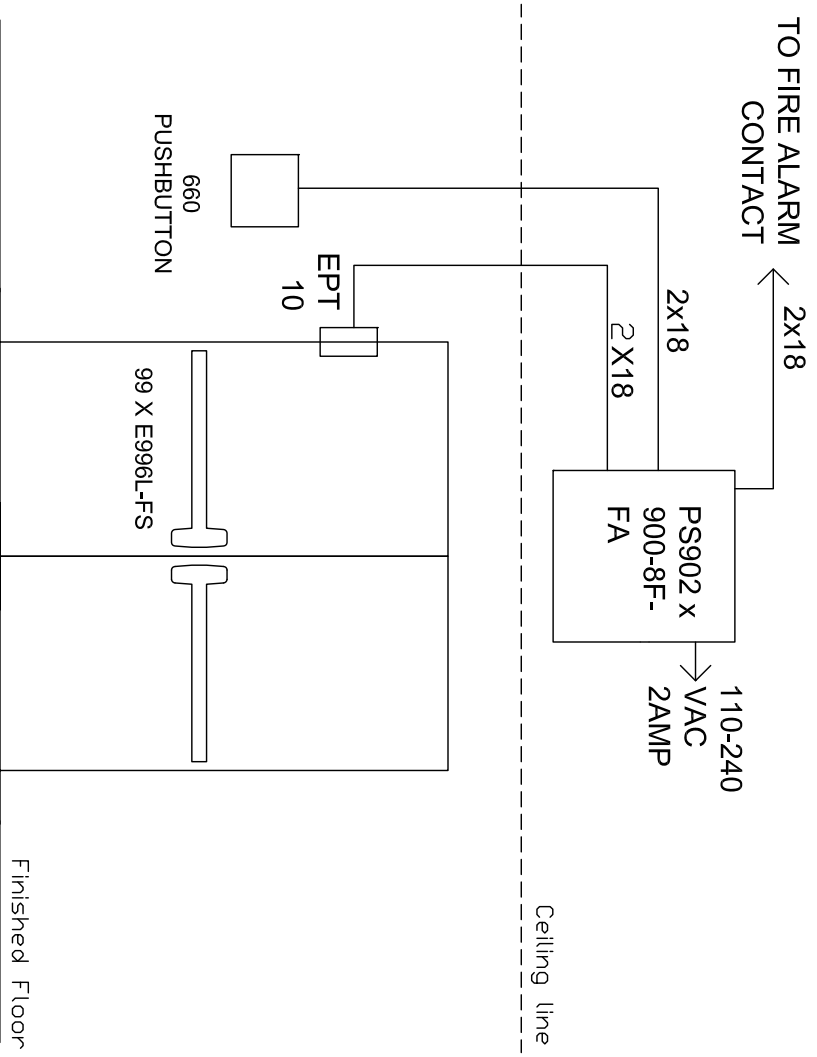


THIS DIAGRAM REPRESENTS A GENERIC CONFIGURATION. CUSTOM WIRING DIAGRAMS CAN BE ACQUIRED BY CONTACTING TECHNICAL SUPPORT.



NOTES:  
 1) ALL LOW VOLTAGE WIRING TO BE STANDARD MULTI-CONDUCTOR COLOR CODED WITHOUT SPLICES.  
 2) WIRING TO CONFORM TO APPLICABLE NATIONAL, STATE AND LOCAL ELECTRICAL CODES.  
 3) REFER TO SPECIFIC PRODUCT INSTALLATION INSTRUCTIONS FOR SPECIFIC WIRING REQUIREMENTS. OF PRODUCTS DETAILED IN THE HARDWARE SET ONLY.  
 4) THIS DRAWING IS FOR GRAPHICAL REPRESENTATION OF PRODUCTS DETAILED IN THE HARDWARE SET ONLY. THAT IS NOT SHOWN HERE. CONSULT PROVIDER FOR DETAILS.

HARDWARE USED:

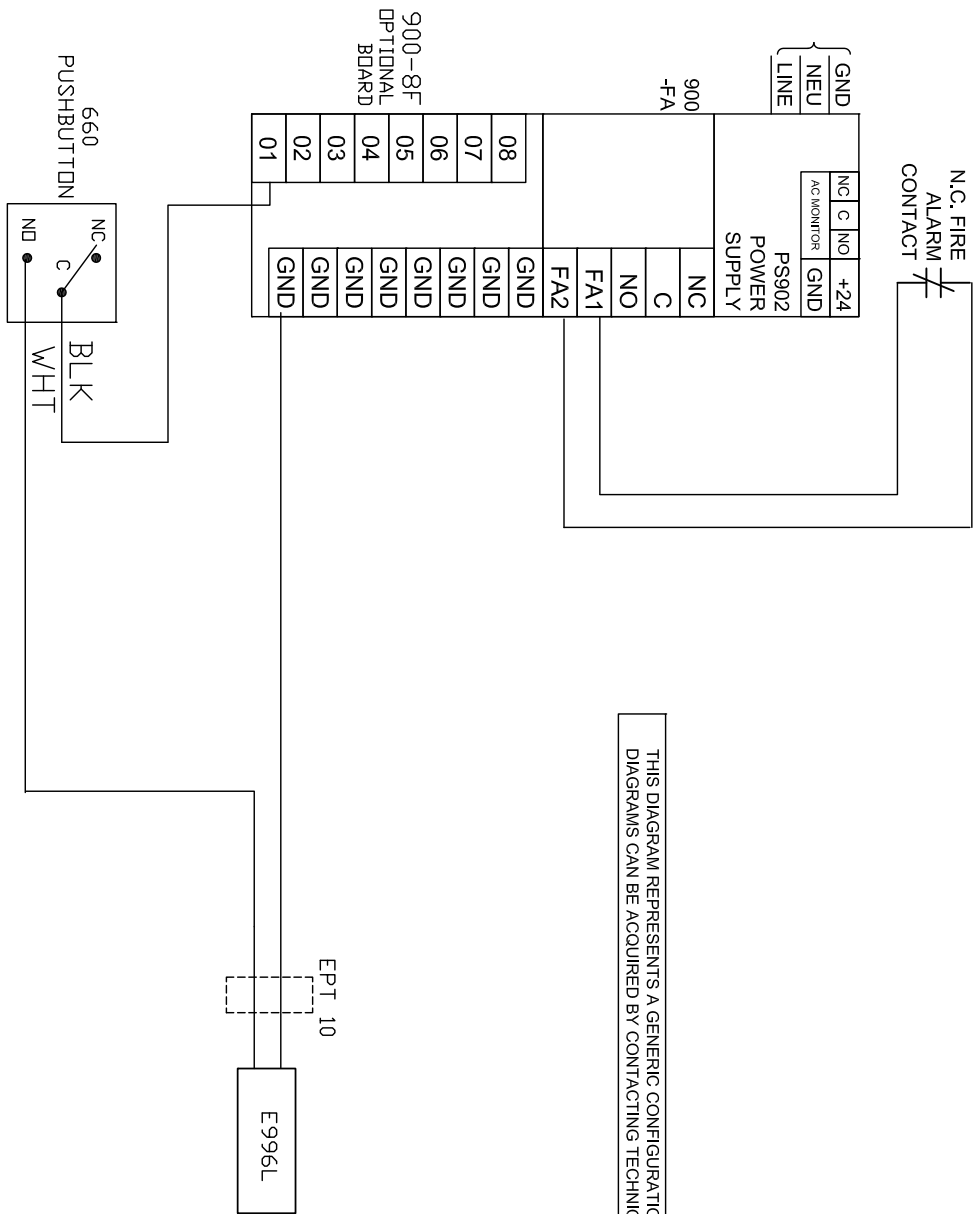
1	VD 99 x E996L FS 24VDC
1	PS902-8F-FA Power Supply
1	660 Pushbutton
Fire Alarm Contact by Others	
TYPE	FS E996L WITH 660 PB AND FIRE ALARM RELEASE

OPERATION:  
 660 PUSHBUTTON TO RELEASE FAIL SAFE E996L FOR AUTHORIZED ENTRY.  
 FIRE ALARM CONTACT TO RELEASE THE ELECTRIC TRIM TO ALLOW ENTRY.  
 IN THIS EXAMPLE ALL WIRING CONNECTIONS ARE MADE IN PS902 ENCLOSURE.

DATE DRAWN	3-21-13	REVISION DATE	3-21-13
copyright 2013			

TITLE:  
**ALLEGION™**  
 FS E996L WITH PS902-8F-FA

DRAWING TYPE	DWG NO.	REV
RISER DIAGRAM	109445	A
DRAWING CHECKED BY: B DOVE		



THIS DIAGRAM REPRESENTS A GENERIC CONFIGURATION. CUSTOM WIRING DIAGRAMS CAN BE ACQUIRED BY CONTACTING TECHNICAL SUPPORT.

NOTES:  
 1) ALL LOW VOLTAGE WIRING TO BE STANDARD, MULTI-CONDUCTOR COLOR CODED WITHOUT SPLICES.  
 2) WIRING TO CONFORM TO APPLICABLE NATIONAL, STATE AND LOCAL ELECTRICAL CODES.  
 3) REFER TO SPECIFIC PRODUCT INSTALLATION INSTRUCTIONS FOR SPECIFIC WIRING REQUIREMENTS.  
 4) THIS DRAWING IS FOR GRAPHICAL REPRESENTATION OF PRODUCTS DETAILED IN THE HARDWARE SET ONLY. THAT IS NOT SHOWN HERE. CONSULT PROVIDER FOR DETAILS.

HARDWARE USED:

1	VD 99 x E996L FS 24VDC
1	PS902-8F-FA Power Supply
1	660 Pushbutton

Fire Alarm Contact by Others

TYPE  
 FS E996L WITH 660 PB AND FIRE ALARM RELEASE

OPERATION:

660 PUSHBUTTON TO RELEASE FAIL SAFE E996L FOR AUTHORIZED ENTRY.  
 FIRE ALARM CONTACT TO RELEASE THE ELECTRIC TRIM TO ALLOW ENTRY.  
 IN THIS EXAMPLE ALL WIRING CONNECTIONS ARE MADE IN PS902 ENCLOSURE.

DATE DRAWN	3-21-13	REVISION DATE	3-21-13
------------	---------	---------------	---------

copyright 2013

TITLE

# ALLEGION™

FS E996L WITH PS902-8F-FA

DRAWING TYPE	DWG NO.	REV
WIRING DIAGRAM	109445	A

DRAWING CHECKED BY: B DOWE